

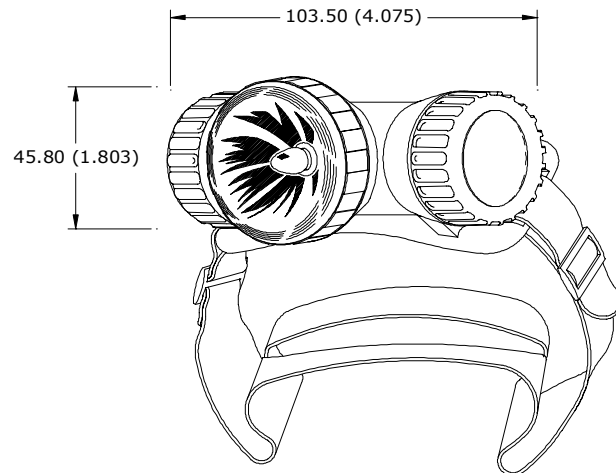
**F420**  
Head Beam™ Light



**Specifications**

- Designation:** Eveready Flashlight
- Power Source:** Four AA Size Batteries (ANSI/NEDA 15 Series)
- Lamp:** No. KPR-113 (Rated at 4.8V, 0.75A)
- Lamp Life:** Rated at 20 Hours
- Lamp Output:** Rated at 51 Lumens
- Typical Weight:** 283 grams (9.9 oz.) (without batteries)

**Physical Dimensions**  
mm (inches)

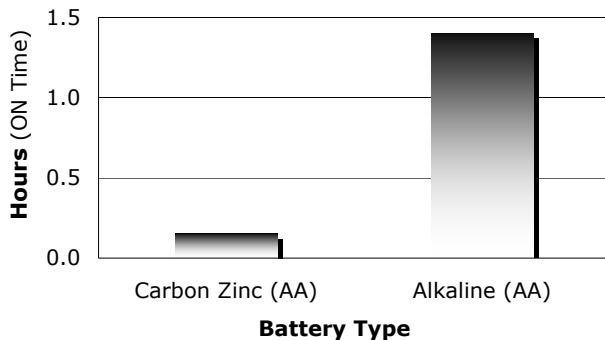


**Features**

- Hands-Free Headlight
- Swivel and Tilt Directional Light
- Krypton Bulb

**Typical Battery Service**

750 mA Continuous  
at 21°C (70°F)



**Typical Battery Service to 0.9V (per battery) at 21°C (70°F)**

Schedule	Battery Type	Hours (ON Time)
750 mA Continuous	1215	0.15
750 mA Continuous	E91	1.4

**Important Notice**

This datasheet contains information specific to flashlights manufactured at the time of its publication.  
**Contents herein do not constitute a warranty.**  
Copyright Eveready Battery Co. Inc. - All Rights Reserved