

PM7830 BRIC

Baseband Radio Interface Controller

Advance
Product Brief

PRODUCT OVERVIEW

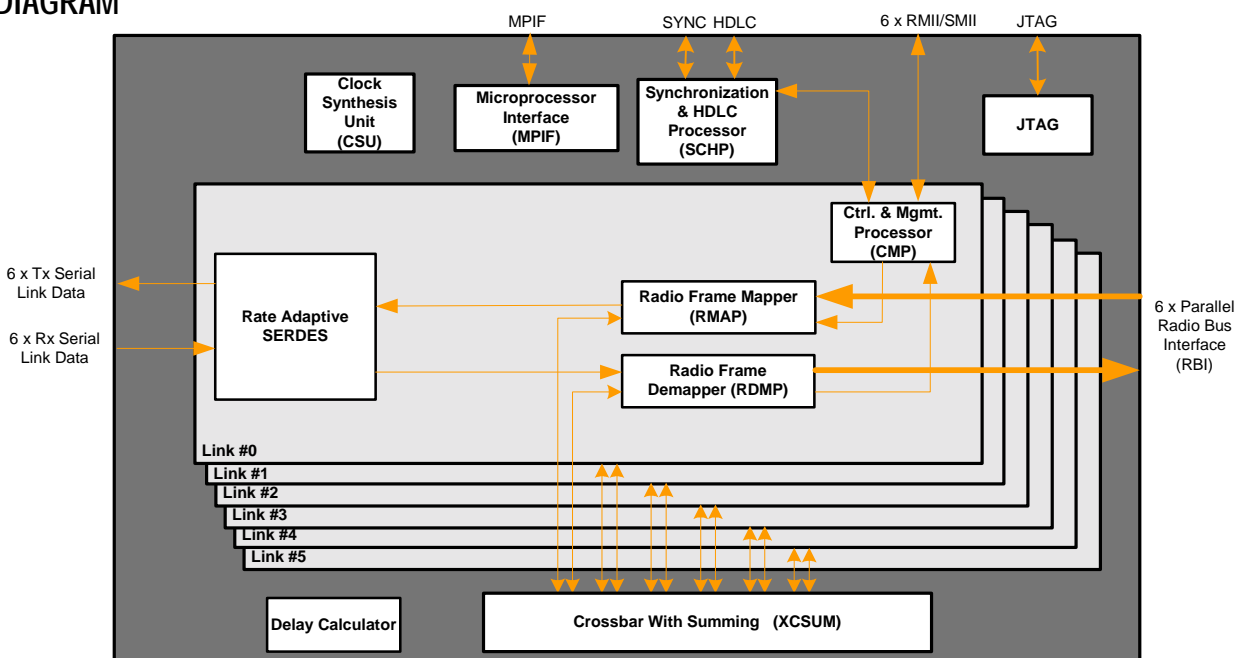
The PM7830 Baseband to Radio Interface Controller (BRIC) is a full-featured 6-port termination device that fully supports the CPRI specification for wireless base station interconnection. The BRIC provides integrated rate-adaptive SERDES links along with CPRI framing, mapping, switching, and combining functions.

When used in conjunction with the 2-port PM7832 BRIC-2, the BRIC and BRIC-2 can be used to flexibly create scalable CPRI-compliant distributed architectures.

PRODUCT HIGHLIGHTS

- Operates in all of the following Baseband-to-RF interconnect topologies:
 - Local interconnect using a central combiner/distributor topology.
 - Local interconnect using a full mesh topology.
 - Remote interconnect using a point-to-point (P2P) star topology.
 - Remote interconnect using a tree and branch topology.
 - Remote interconnect using a chain topology.
 - Remote interconnect using a ring topology.
- Supports up to 6 serial channels running independently at CPRI line rates from 614.4 Mbit/s to 2457.6 Mbit/s with 8B/10B-encoded data.
- Supports up to 6 parallel Radio Bus Interfaces (RBIs) for output of user data.
- Supports CPRI start-up sequence and link-rate auto-negotiation for both REC and RE operating modes.
- Supports traffic switching at the CPRI Antenna Carrier (AxC) level.
- Supports IQ summing.
- Supports multiplexing and termination of control and synchronization sub-channels:
 - Up to 6 Ethernet Fast C&M channels.
 - Up to 6 HDLC Slow C&M channels.
- Measures round-trip delay on each CPRI link with an accuracy of ± 1 ns:
 - Provides programmable delay insertion to meet CPRI delay calibration requirements.
- Supports serial line protection switching.
- Supports configuration, control, monitoring and test capability on a per-channel basis.

BLOCK DIAGRAM



INTERFACES

- Line side high-speed serial outputs supporting simultaneous multiple CPRI line rates using a single reference clock input.
- System side parallel Radio Bus Interface (RBI) supporting parallel output of either:
 - Direct CPRI frame payload.
 - Unmapped IQ data to/from CPRI frame payload.
- 6-port RMII/SMII Ethernet interface for accessing Fast C&M channels.
- Multi-channel HDLC serial interface for accessing Slow C&M channels across all links.
- 16-bit microprocessor interface compatible with both Intel-like and Freescale-like processors.

BENEFITS

- Provides all necessary functions for implementing CPRI-based Chain, Ring, Point-to-Point architectures, and more.
- Hitless protection switching, IQ summing, AxC switching & multicast functions enable single-device central switch/combiner architectures.

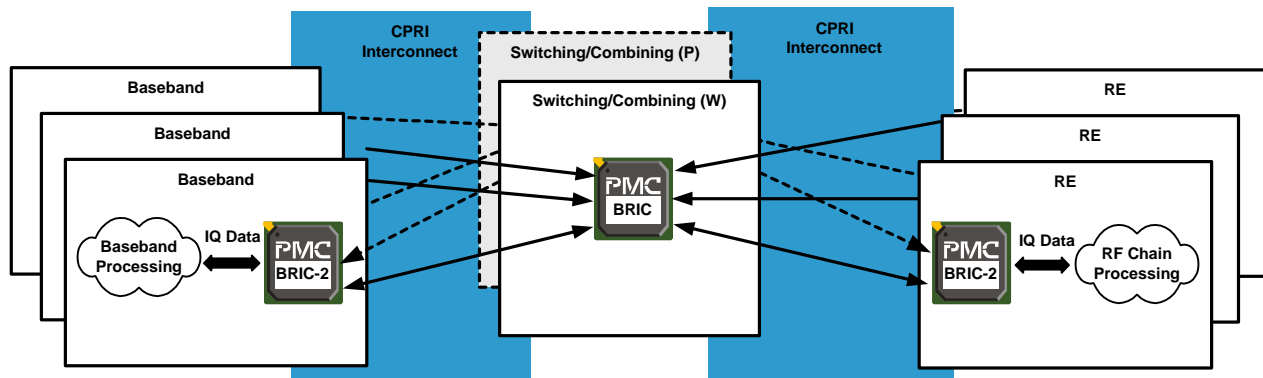
- Software-compatible BRIC and BRIC-2 allow complete CPRI solutions to be realized quickly and expanded as needed.
- Enables application-specific performance monitoring & OAM functions using in-band Ethernet/HDLC control & management sub-channels.
- Applicable for UMTS, CDMA, WiMAX solutions and beyond.
- Industry's most complete and low-risk solution with reuse from PM8358 QuadPHY 10GX SERDES and PM7831 BRIC-FP CPRI Framer.

APPLICATIONS

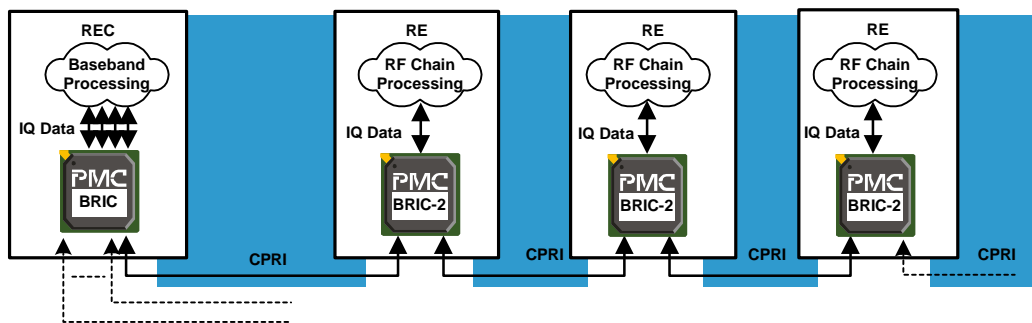
Two of the many possible architectural implementations using the BRIC and BRIC-2 are shown below:

- Central combiner-based CPRI architecture where the BRIC is used as a termination and switching device for the interconnect of BRIC-2-based REC and RE CPRI endpoints.
- Chain-based CPRI architecture where the BRIC is used to terminate one or more chains of remotely-located RE devices.

CENTRAL COMBINER-BASED CPRI ARCHITECTURE



CHAIN-BASED CPRI ARCHITECTURE



Corporate Head Office:
 PMC-Sierra, Inc.
 Mission Towers One
 3975 Freedom Circle
 Santa Clara, CA, 95054, U.S.A.
 Tel: 1.408.239.8000
 Fax: 1.408.492.1157

Operations Head Office:
 PMC-Sierra, Inc.
 100-2700 Production Way
 Burnaby, BC V5A 4X1 Canada
 Tel: 1.604.415.6000
 Fax: 1.604.415.6200

PMC-2051672 (A1) © Copyright PMC-Sierra, Inc. 2005. All rights reserved. For a complete list of PMC-Sierra's trademarks, visit www.pmc-sierra.com/legal/. Other product and company names mentioned herein may be the trademarks of their respective owners. For corporate information, send email to: info@pmc-sierra.com. All product documentation is available on our web site at: www.pmc-sierra.com.

PMC
 PMC-SIERRA