

EPA3393 & EPA3393-LF

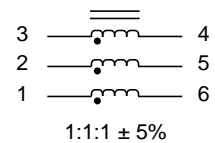
- Greater or equal to 140 impedance @ 1 GHz
- Add “-LF” after part number for Lead-Free
- Material meets Class 130
- 1500 Vrms Isolation

Electrical Parameters @ 25° C

OCL (μ H Min.)	Interwinding Capacitance (pF Ref.)	Leakage Inductance (μ H Ref.)	DCR (Max.)	Impedance (Min.)
@ 100 KHz, 0.1 Vrms	@ 100 KHz, 0.1 Vrms	@ 100 KHz, 0.1 Vrms		@ 1 GHz
2.0	1.3	0.08	0.01	140

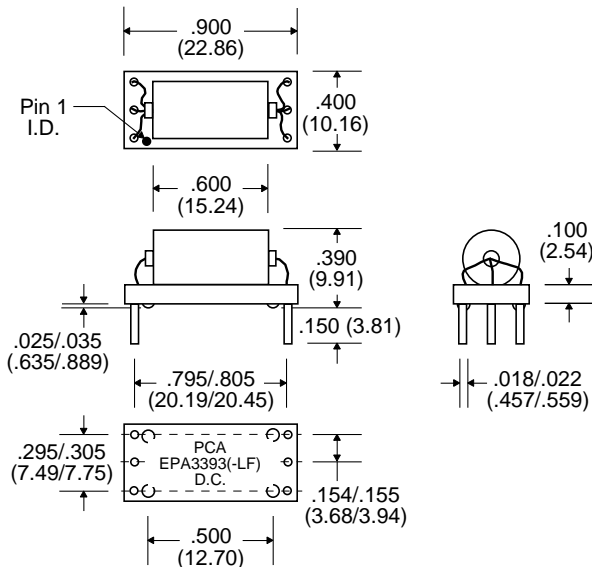
Notes :	EPA3393	EPA3393-LF
1. Lead Finish	SnPb	Hot Tin Dip (Sn)
2. Peak Solder Rating (for wave solder process Only)	245°C	260°C
4. Weight	TBD grams	TBD grams
5. Packaging Information (Tube)	TBD pcs / tube	TBD pcs / tube

Schematic



1 : Mkr	(MHz)	
1:	0.30	4.879
2:	1.00	10.75
3:	10.00	68.08
4:	50.00	139.3
5:	100.00	166.2
6:	200.00	180.3
7:	500.00	183.4
8:	1000.00	172.6

Package



Typical Zp Graph



Unless Otherwise Specified Dimensions are in Inches /mm ± .010 /.25