

## 0.72W AUDIO POWER AMPLIFIER—YD7368

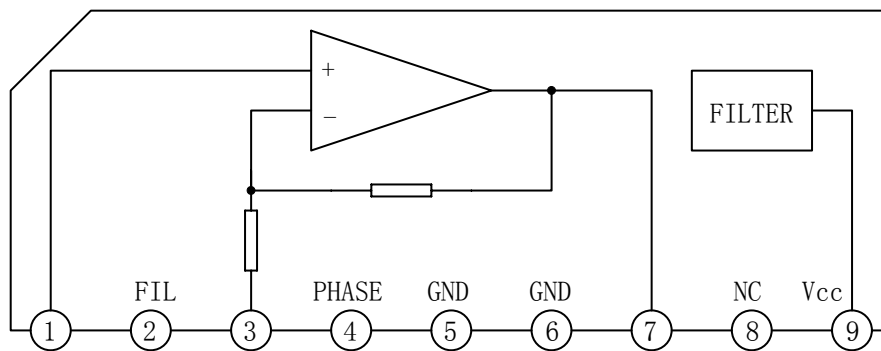
### DESCRIPTION

The YD7368 is suitable for audio power amplifier of portable cassette tape recorder and radio.

### FEATURES

- \*Very few external components (only three capacitors);
- \*Low quiescent current;
- \*High voltage gain:  $G_v=40\text{dB}$ ;

### BLOCK DIAGRAM



### WuXi YouDa Electronics Co., Ltd

Add: No.5 Xijin Road, National Hi-Tech Industrial Development Zone, Wuxi Jiangsu China  
Tel: 86-510-85205117 86-510-85205106 Fax: 86-510-85205110 Website: [www.e-youda.com](http://www.e-youda.com)  
SHENZHEN OFFICE Tel: 86-755-83740369 Fax: 86-755-83741418

**ABSOLUTE MAXIMUM RATINGS** (Tamb=25°C)

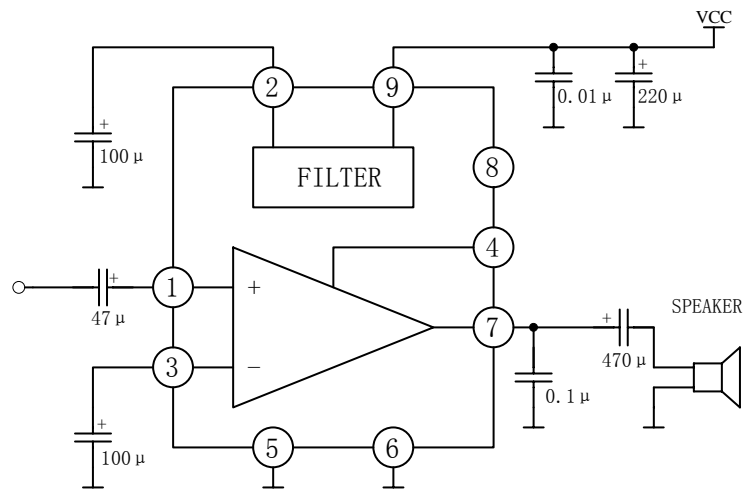
PARAMETER	SYMBOL	VALUE	UNIT
Supply Voltage	Vcc	14	V
Output Peak Current	Iop	1.5	A
Power dissipation	Pd	900	mW
Operating Temperature	Topr	-20 to +75	°C
Storage Temperature	Tstg	-55 to 150	°C

**ELECTRICAL CHARACTERISTICS**

(Tamb=25°C, Vcc=6V, RL=4Ω, Rg=600Ω, f=1kHz, Unless otherwise specified)

PARAMETER	SYMBOL	TEST CONDITIONS	MIN	TYP	MAX	UNIT
Quiescent Circuit Current	Iccq	Vcc=3V, Vi=0		5.5		mA
		Vcc=6V, Vi=0		6.6		
		Vcc=9V, Vi=0		7.5		
Output Power	Po	Vcc=3V, RL=4Ω, THD=10%		120		mW
		Vcc=6V, RL=4Ω, THD=10%	500	720		
		Vcc=6V, RL=8Ω, THD=10%	300	450		
		Vcc=9V, RL=8Ω, THD=10%	800	1100		
		Vcc=9V, RL=16Ω, THD=10%	450	610		
Total Harmonic Distortion	THD	Po=100mW		0.3	1.0	%
Voltage Gain	Gv	Vo=0.5mVrms	37	40	43	dB
Output Noise Voltage	VNO	RG=10kΩ, BPF=20Hz~20kHz		0.2	0.5	mV
Ripple Rejection	RR	f=100Hz, Vr=0.3Vrms, without Crip		25		dB
Input Resistance	Zi			27		kΩ

APPLICATION CIRCUIT



OUTLINE DRAWING

SIP9-P-2.54A

Unit : mm

