

CMOS SJ-370 Series

Description

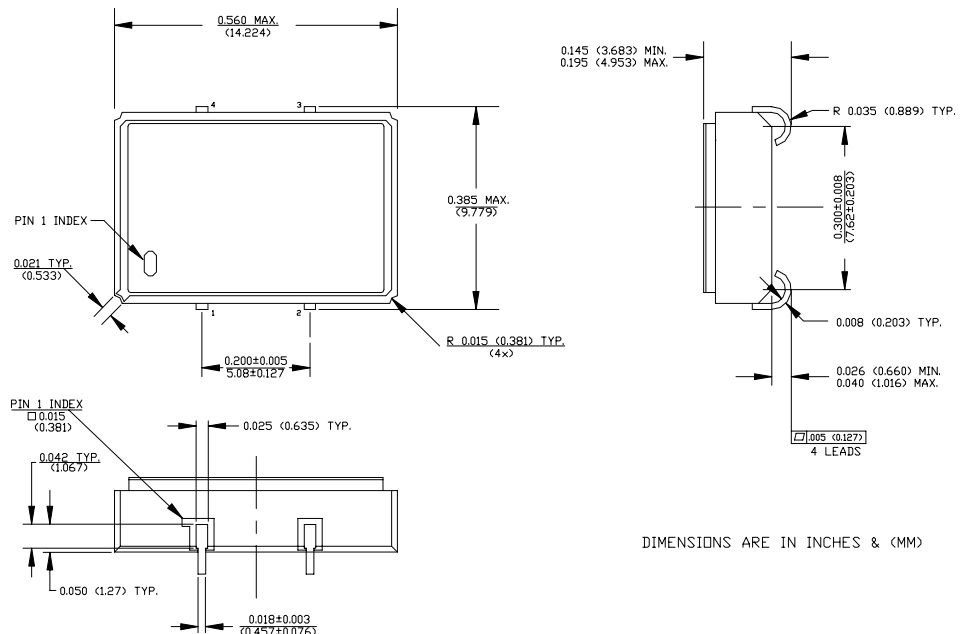
The **SJ-370 Series** of quartz crystal oscillators are designed to survive standard wave soldering operations without damage.

Features

- Wide frequency range—2.25MHz to 80.0MHz
- User specified tolerance available
- Will withstand vapor phase temperatures of 253°C for 4 minutes maximum
- Space-saving alternative to discrete component oscillators
- High shock resistance, to 3000g
- Metal lid electrically connected to ground to reduce EMI
- Low Jitter
- TTL compatible (HCT) at specified supply voltage
- High Q Crystal actively tuned oscillator circuit
- Low power consumption
- Power supply decoupling internal
- No internal PLL avoids cascading PLL problems
- High frequencies due to proprietary design
- Gold plated leads
- RoHS Compliant, Lead Free Construction

Electrical Connection

Pin	Connection
1	N.C.
2	Ground
3	Output
4	V _{DD}



SJ-370 Series Continued
CMOS

Rev. G

Operating Conditions and Output Characteristics

Electrical Characteristics

Parameter	Symbol	Conditions	Min	Typical	Max
Frequency	-----	-----	2.25MHz	-----	80.0MHz
Duty Cycle	-----	@ $V_{DD}/2$	45/55%	-----	55/45%
Logic 0	V_{OL}	@ 600 μ A	-----	-----	0.2V
Logic 1	V_{OH}	@ 600 μ A	$V_{DD}-0.2V$	-----	-----
Rise & Fall Time	tr,tf	10-90% V_O	-----	-----	8 ns
Jitter, RMS ⁽²⁾	-----	<40MHz Fund	-----	-----	8.0 psec
		<40MHz OT & >40MHz	-----	-----	5.0 psec
Frequency Stability ⁽¹⁾	dF/F	Overall conditions including: voltage, calibration, temp., 10 yr aging, shock, vibration	-100ppm	-----	+100ppm

General Characteristics

Parameter	Symbol	Conditions	Min	Typical	Max
Supply Voltage	V_{DD}	-----	4.75V	5.0V	5.25V
Supply Current	I_{DD}	No Load	0.0 mA	-----	40 mA
Output current	I_O	-----	0.0 mA	-----	± 16.0 mA
Operating temperature	T_A	-----	0°C	-----	70°C
Storage temperature	T_S	-----	-55°C	-----	125°C
Power Dissipation	P_D	-----	-----	-----	210 mW
Lead temperature	T_L	Soldering, 10 sec.	-----	-----	300°C
Load	-----	-----	-----	-----	15pf
Start-up Time	t_s	<20MHz	-----	-----	2 ms
		20MHz or greater	-----	-----	10 ms

Environmental and Mechanical Characteristics

Mechanical Shock	Per MIL-STD-202, Method 213, Condition E
Thermal Shock	Per MIL-STD-833, Method 1011, Condition A
Vibration	0.060" double amplitude 10 Hz to 55 Hz, 35g's 55Hz to 2000 Hz
Soldering Condition	300°C for 10 seconds
Hermetic Seal	Leak rate less than 1×10^{-8} atm.cc/sec of helium

Footnotes:

- Standard frequency stability ($\pm 20, \pm 25, \pm 50$ ppm & others available)
- Jitter performance is frequency dependent. Please contact factory for full characterization. RMS jitter bandwidth of 12kHz to 20MHz.

Creating a Part Number	
SJ - A37X - FREQ	
Package Code	Tolerance/Performance
SJ 4 J Lead SMD	0 ± 100 ppm 0-70°C
	1 ± 50 ppm 0-70°C
	7 ± 25 ppm 0-70°C
	9 Customer Specific
Input Voltage	A ± 20 ppm 0-70°C
Code Specification	B ± 50 ppm -40 to +85°C
A 3.3V	C ± 100 ppm -40 to +85°C
5V	

Test Load:

