

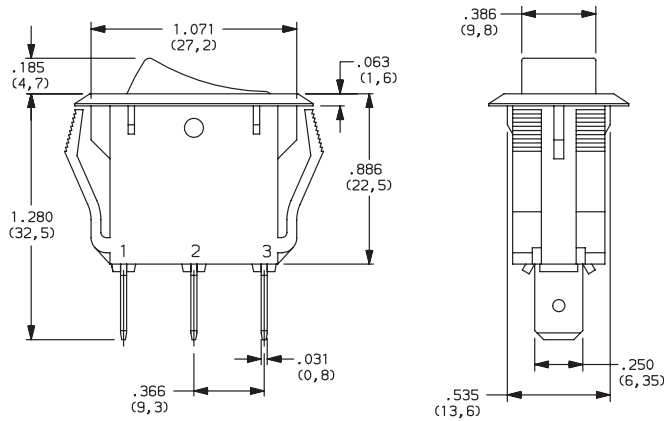


# C&K CG Series Single Pole Power Rocker Switches

## SWITCH FUNCTION

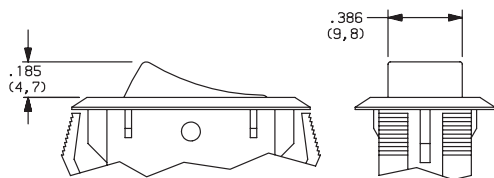
NO. POLES	MODEL NO.	SWITCH FUNCTION			CONNECTED TERMINALS			SCHEMATIC
SP	<b>CG101</b>	ON	NONE	ON	2-3	N/A	2-1	
	<b>CG102</b>	ON	NONE	OFF				
	<b>CG103</b>	ON	OFF	ON				
	<b>CG105</b>	MOM	OFF	MOM				
	<b>CG12 *</b>	ON	NONE	OFF				

\* CG12 - for switches with both marking and illumination



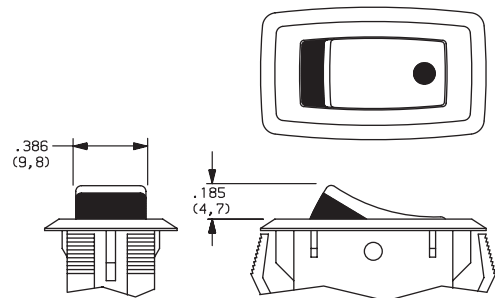
## ACTUATOR

- J1** ROCKER
- J3** ILLUMINATED ROCKER



NOTE: J3 actuator available with CG102 switch function only.

- J2** TWO-TONE ROCKER



NOTE: Available with CG102 switch function only.

# C&K CG Series Single Pole Power Rocker Switches

## ACTUATOR COLOR

OPTION CODE	ACTUATOR COLOR
<b>2</b>	(STD.) BLACK
<b>1</b>	WHITE
<b>3</b>	RED
<b>R</b>	RED, ILLUMINATED
<b>A</b>	AMBER, ILLUMINATED
<b>G</b>	GREEN, ILLUMINATED

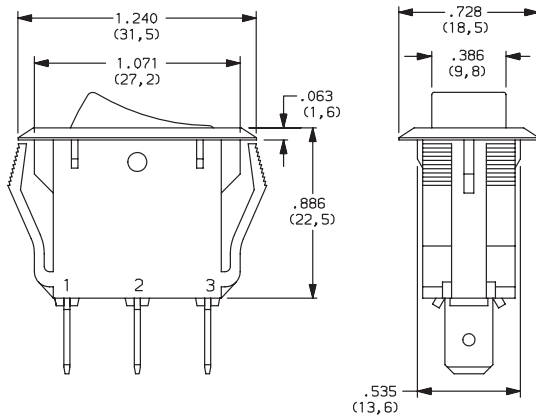
OPTION CODE	ACTUATOR COLOR	
	TOP	BOTTOM
<b>1</b>	WHITE	RED
<b>2</b>	WHITE	BLACK
<b>3</b>	RED	WHITE
<b>4</b>	BLACK	WHITE
<b>5</b>	BLACK	RED

J2 actuator only

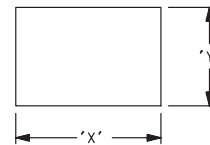
## MOUNTING STYLE/COLOR

**S2** (STD.) SNAP-IN, BLACK

**S1** SNAP-IN, WHITE



### PANEL MOUNTING

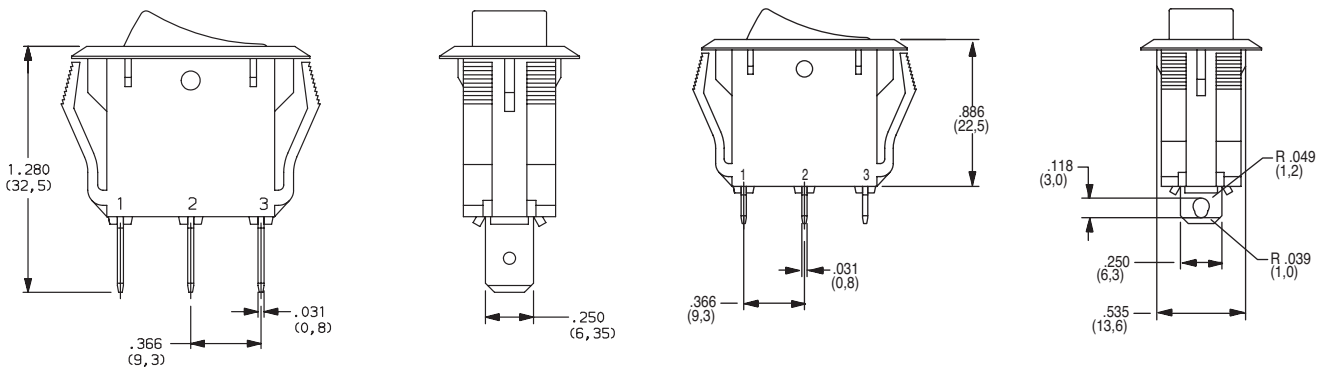


PANEL THICKNESS	"X"	"Y"
0.030-0.049 (0,75-1,25)	1.087-.004 (27,6-0,1)	0.543+.004 (13,8+0,1)
0.049-0.079 (1,25-2,0)	1.094-.004 (27,8-0,1)	0.543+.004 (13,8+0,1)
0.079-0.118 (2,0-3,0)	1.102-.004 (28,0-0,1)	0.543+.004 (13,8+0,1)

## TERMINATION

**05** (STD.) .250" QUICK CONNECT

**07** SOLDER LUG



# C&K CG Series Single Pole Power Rocker Switches

## ACTUATOR MARKING

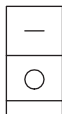
**NONE** (STD.) NO MARKING



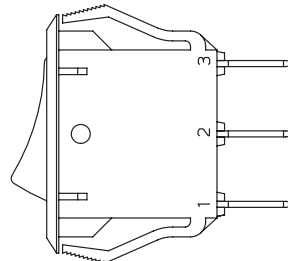
**D** ON-OFF



**H** 0 I



**P** 0 -



**NOTE:** Orientation of actuator marking and terminals.

## CONTACT MATERIAL

OPTION CODE	CONTACT AND TERMINAL MATERIAL	RATINGS	
<b>QF</b> (STD.)	SILVER	POWER	16 AMPS @ 125 VAC; 10 AMPS @ 250 VAC (UL/CSA) 10 AMPS @ 250 VAC (VDE) $\mu$ T85.

## LAMP RATING

**(NONE)** (STD.) NO LAMP

**7** 125 VAC 33k $\Omega$  NEON

**8** 250 VAC 150k $\Omega$  NEON

**NOTE:** Lamp rating for J3 actuator option.