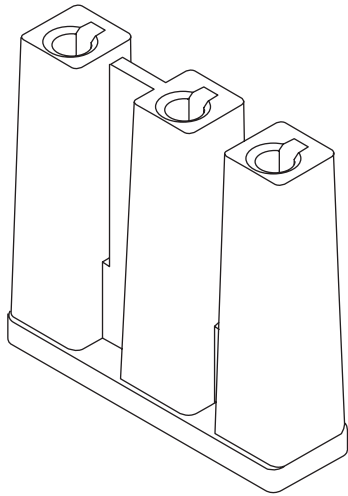


# 8.00mm (0.315") PITCH CONNECTOR



Wire-to-Board  
Housing

YFH800 Series



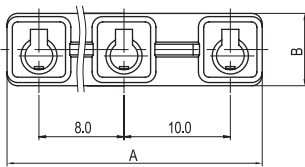
## Material

I/NO	DESCRIPTION	TITLE	MATERIAL
1	HOUSING	YFH800	PA66, UL94 V Grade
2	HOUSING	YFH800-NNA	PA66, UL94 V Grade
3	HOUSING	YFH800-NNAN	NORYL(N300), UL94 V Grade

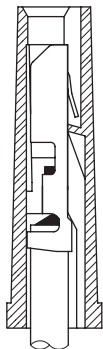
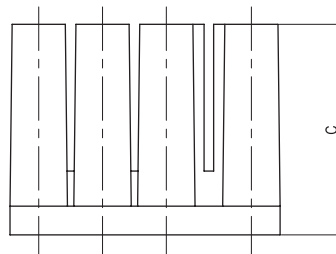
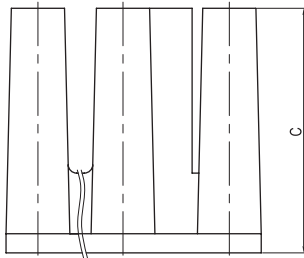
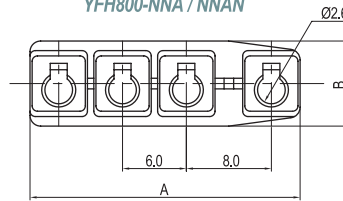
## Available Pin

PARTS NO.	A	B	C
YFH800-01	6.0	6.8	24.0
YFH800-02	16.0	6.8	24.0
YFH800-03	24.0	6.8	24.0
YFH800-03A	19.0	8.0	19.7
YFH800-03AN	19.0	8.0	19.7
YFH800-04	32.0	6.8	24.0
YFH800-04A	25.4	8.0	19.7
YFH800-04AN	25.4	8.0	19.7
YFH800-05	40.0	6.8	24.0
YFH800-06	48.0	6.8	24.0
YFH800-06A	37.4	8.0	21.0
YFH800-06AN	37.4	8.0	21.0

YFH800-NN



YFH800-NNA / NNAN



TERMINAL ASSEMBLY



AWG = #16 ~ #24

## Specification

ITEM	SPEC
Voltage Rating	AC/DC 250V
Current Rating	AC/DC 7A
Operating Temperature	-25°C ~ +85°C
Contact Resistance	30mΩ MAX
Withstanding Voltage	AC1500V/1min
Insulation Resistance	1000MΩ MIN
Applicable Wire	AWG #16~#24
Applicable P.C.B	-
Applicable FPC/FFC	-
Solder Height	-
Crimp Tensile Strength	-
UL FILE NO	E108706

Application Terminal : YDT235 (Side Type) (225 page)  
YDT236 (End Type) (226 page)