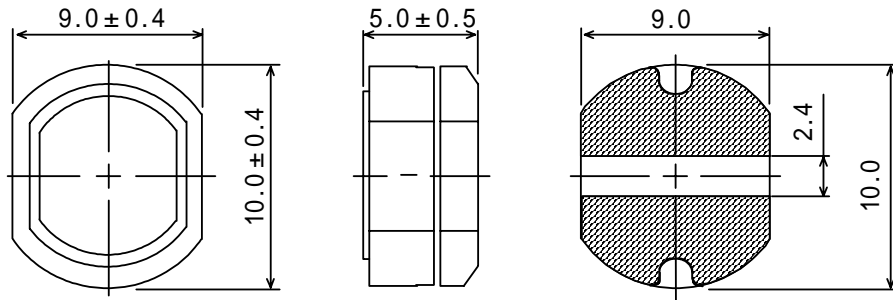


仕様書

形名
CDR105B

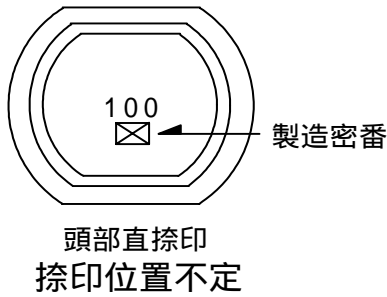
1. 外形

1-1. 寸法図(mm)

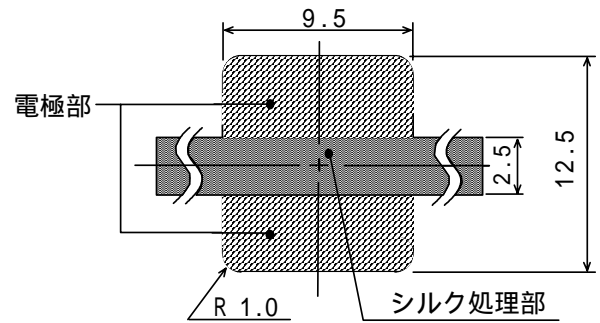


* 公差のない寸法は参考値とする

1-2. 捺印表示例



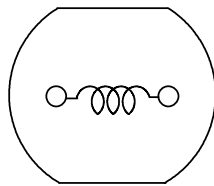
1-3. 推奨ランド寸法(mm)



電極(端子)間の隙間はシルク処理をして御使用下さい。

2. コイル仕様

2-1. 端子接続図(裏面図)



RoHS

compliance
Cd: Max. 0.01wt%
others: Max. 0.1wt%



仕 様 書

形 名 CDR105B

2-2. 電気的特性

No.	品 名	表示	インダクタンス [以内] 1	D.C.R.() [以下] (at 20)	定格電流 (A) 2	S . R . F . (MHz) [参考値]	スミダ コード
01	CDR105BNP-100MC	100	10 μ H \pm 20%	0.06	2.06	29.1	-0093
02	CDR105BNP-100MB						-0094
03	CDR105BNP-120MC	120	12 μ H \pm 20%	0.07	1.94	26.5	-0095
04	CDR105BNP-120MB						-0096
05	CDR105BNP-150MC	150	15 μ H \pm 20%	0.07	1.72	24.2	-0097
06	CDR105BNP-150MB						-0098
07	CDR105BNP-180MC	180	18 μ H \pm 20%	0.08	1.58	21.8	-0101
08	CDR105BNP-180MB						-0102
09	CDR105BNP-220MC	220	22 μ H \pm 20%	0.08	1.42	18.8	-0103
10	CDR105BNP-220MB						-0104
11	CDR105BNP-270MC	270	27 μ H \pm 20%	0.10	1.32	17.1	-0105
12	CDR105BNP-270MB						-0106
13	CDR105BNP-330LC	330	33 μ H \pm 15%	0.11	1.16	14.2	-0107
14	CDR105BNP-330LB						-0108
15	CDR105BNP-390LC	390	39 μ H \pm 15%	0.12	1.10	14.1	-0109
16	CDR105BNP-390LB						-0110
17	CDR105BNP-470LC	470	47 μ H \pm 15%	0.14	1.00	11.5	-0112
18	CDR105BNP-470LB						-0113
19	CDR105BNP-560LC	560	56 μ H \pm 15%	0.19	0.93	11.1	-0114
20	CDR105BNP-560LB						-0115
21	CDR105BNP-680LC	680	68 μ H \pm 15%	0.21	0.85	10.2	-0116
22	CDR105BNP-680LB						-0117
23	CDR105BNP-820LC	820	82 μ H \pm 15%	0.28	0.79	9.2	-0118
24	CDR105BNP-820LB						-0119

仕様書

形名

CDR105B

No.	品名	表示	インダクタンス [以内] 1	D.C.R.() [以下] (at 20)	定格電流 (A) 2	S.R.F. (MHz) [参考値]	スミダ コード
25	CDR105BNP-101KC	101	100 μ H \pm 10%	0.34	0.72	8.1	-0120
26	CDR105BNP-101KB						-0121
27	CDR105BNP-121KC	121	120 μ H \pm 10%	0.37	0.63	7.3	-0123
28	CDR105BNP-121KB						-0124
29	CDR105BNP-151KC	151	150 μ H \pm 10%	0.51	0.55	6.2	-0125
30	CDR105BNP-151KB						-0126
31	CDR105BNP-181KC	181	180 μ H \pm 10%	0.57	0.50	5.6	-0127
32	CDR105BNP-181KB						-0128
33	CDR105BNP-221KC	221	220 μ H \pm 10%	0.78	0.47	5.4	-0129
34	CDR105BNP-221KB						-0130
35	CDR105BNP-271KC	271	270 μ H \pm 10%	0.87	0.41	5.0	-0131
36	CDR105BNP-271KB						-0132
37	CDR105BNP-331KC	331	330 μ H \pm 10%	1.20	0.37	4.2	-0134
38	CDR105BNP-331KB						-0135
39	CDR105BNP-391KC	391	390 μ H \pm 10%	1.34	0.35	3.8	-0136
40	CDR105BNP-391KB						-0137
41	CDR105BNP-471KC	471	470 μ H \pm 10%	1.50	0.33	3.5	-0138
42	CDR105BNP-471KB						-0139

* 品名表示の区分

(1) リール梱包の場合: CDR105BNP-XXXXC

(2) 箱梱包の場合: CDR105BNP-XXXXB

1: 測定周波数 L 10 μ H ~ 82 μ H ; at 2.52 MHz
100 μ H ~ 470 μ H ; at 1 kHz

2: 定格電流は直流重畳特性に於て、インダクタンスが初期値より - 10%となる電流、もしくは直流電流を流した時のコイルの発熱が $t = 40$ となる電流値の少ない方の値。(Ta=20 を基準とする。)

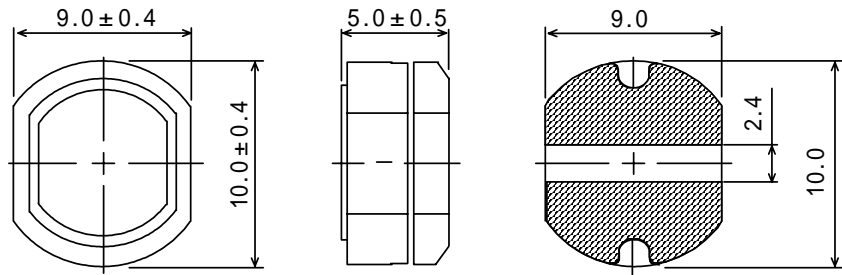
3. 保存温度範囲 - 40 ~ +100
使用温度範囲 - 40 ~ +100 (コイルの発熱を含む。)

SPECIFICATION

TYPE CDR105B

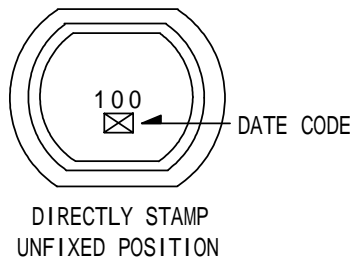
1. APPEARANCE

1-1. DIMENSIONS (mm)

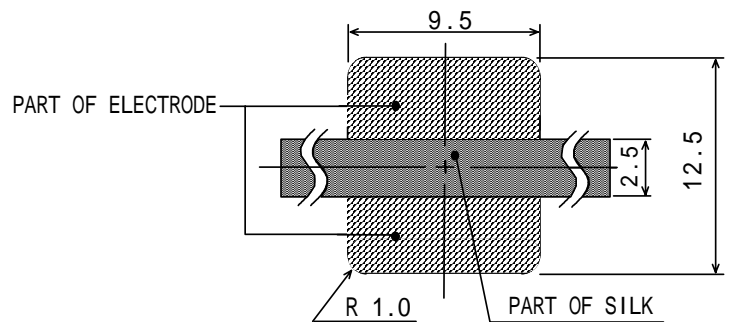


* DIMENSIONS WITHOUT TOLERANCE ARE APPROX.

1-2. STAMP (E.G.)



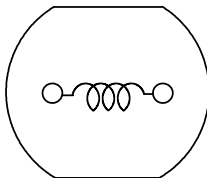
1-3. RECOMMENDED LAND PATTERNS DIMENSION (mm)



PLEASE COAT WITH SILK SCREEN BETWEEN THE TWO ELECTRODES.

2. COIL SPECIFICATION

2-1. CONNECTION (BOTTOM VIEW)



RoHS compliance Cd: Max. 0.01wt% others: Max. 0.1wt%



SPECIFICATION

TYPE CDR105B

2-2 . ELECTRICAL CHARACTERISTICS

NO.	PART NO.	STAMP	INDUCTANCE [WITHIN] 1	D.C.R. () [MAX.] (at 20)	RATED CURRENT (A) 2	S.R.F. (MHz) [Ref.]	SUMIDA CODE
01	CDR1Ø5BNP-1ØØMC	100	10 µH ± 20%	0.06	2.06	29.1	-0093
02	CDR1Ø5BNP-1ØØMB						-0094
03	CDR1Ø5BNP-12ØMC	120	12 µH ± 20%	0.07	1.94	26.5	-0095
04	CDR1Ø5BNP-12ØMB						-0096
05	CDR1Ø5BNP-15ØMC	150	15 µH ± 20%	0.07	1.72	24.2	-0097
06	CDR1Ø5BNP-15ØMB						-0098
07	CDR1Ø5BNP-18ØMC	180	18 µH ± 20%	0.08	1.58	21.8	-0101
08	CDR1Ø5BNP-18ØMB						-0102
09	CDR1Ø5BNP-22ØMC	220	22 µH ± 20%	0.08	1.42	18.8	-0103
10	CDR1Ø5BNP-22ØMB						-0104
11	CDR1Ø5BNP-27ØMC	270	27 µH ± 20%	0.10	1.32	17.1	-0105
12	CDR1Ø5BNP-27ØMB						-0106
13	CDR1Ø5BNP-33ØLC	330	33 µH ± 15%	0.11	1.16	14.2	-0107
14	CDR1Ø5BNP-33ØLB						-0108
15	CDR1Ø5BNP-39ØLC	390	39 µH ± 15%	0.12	1.10	14.1	-0109
16	CDR1Ø5BNP-39ØLB						-0110
17	CDR1Ø5BNP-47ØLC	470	47 µH ± 15%	0.14	1.00	11.5	-0112
18	CDR1Ø5BNP-47ØLB						-0113
19	CDR1Ø5BNP-56ØLC	560	56 µH ± 15%	0.19	0.93	11.1	-0114
20	CDR1Ø5BNP-56ØLB						-0115
21	CDR1Ø5BNP-68ØLC	680	68 µH ± 15%	0.21	0.85	10.2	-0116
22	CDR1Ø5BNP-68ØLB						-0117
23	CDR1Ø5BNP-82ØLC	820	82 µH ± 15%	0.28	0.79	9.2	-0118
24	CDR1Ø5BNP-82ØLB						-0119

SPECIFICATION

TYPE CDR105B

NO.	PART NO.	STAMP	INDUCTANCE [WITHIN] 1	D.C.R. () [MAX.] (at 20)	RATED CURRENT (A) 2	S.R.F. (MHz) [Ref.]	SUMIDA CODE
25	CDR1Ø5BNP-1Ø1KC	101	100 µH ± 10%	0.34	0.72	8.1	-0120
26	CDR1Ø5BNP-1Ø1KB						-0121
27	CDR1Ø5BNP-121KC	121	120 µH ± 10%	0.37	0.63	7.3	-0123
28	CDR1Ø5BNP-121KB						-0124
29	CDR1Ø5BNP-151KC	151	150 µH ± 10%	0.51	0.55	6.2	-0125
30	CDR1Ø5BNP-151KB						-0126
31	CDR1Ø5BNP-181KC	181	180 µH ± 10%	0.57	0.50	5.6	-0127
32	CDR1Ø5BNP-181KB						-0128
33	CDR1Ø5BNP-221KC	221	220 µH ± 10%	0.78	0.47	5.4	-0129
34	CDR1Ø5BNP-221KB						-0130
35	CDR1Ø5BNP-271KC	271	270 µH ± 10%	0.87	0.41	5.0	-0131
36	CDR1Ø5BNP-271KB						-0132
37	CDR1Ø5BNP-331KC	331	330 µH ± 10%	1.20	0.37	4.2	-0134
38	CDR1Ø5BNP-331KB						-0135
39	CDR1Ø5BNP-391KC	391	390 µH ± 10%	1.34	0.35	3.8	-0136
40	CDR1Ø5BNP-391KB						-0137
41	CDR1Ø5BNP-471KC	471	470 µH ± 10%	1.50	0.33	3.5	-0138
42	CDR1Ø5BNP-471KB						-0139

* PART NO. DESCRIPTION

(1) IN CASE OF REEL PACKING: CDR1Ø5BNP-XXXXC

(2) IN CASE OF BOX PACKING: CDR1Ø5BNP-XXXXB

1: MEASURED FREQUENCY L 10 µH ~ 82 µH ; at 2.52 MHz
 100 µH ~ 470 µH ; at 1 kHz

2: THIS INDICATES THE VALUE OF CURRENT WHEN THE INDUCTANCE IS 10% LOWER THAN ITS INITIAL VALUE
 AT D.C. SUPERPOSITION OR D.C. CURRENT WHEN T=40 WHICHEVER IS LOWER. (Ta=20)

3. STORAGE TEMPERATURE RANGE : - 40 ~ + 100
 OPERATING TEMPERATURE RANGE: - 40 ~ + 100 (INCLUDING COIL'S SELF TEMPERATURE RISE)

