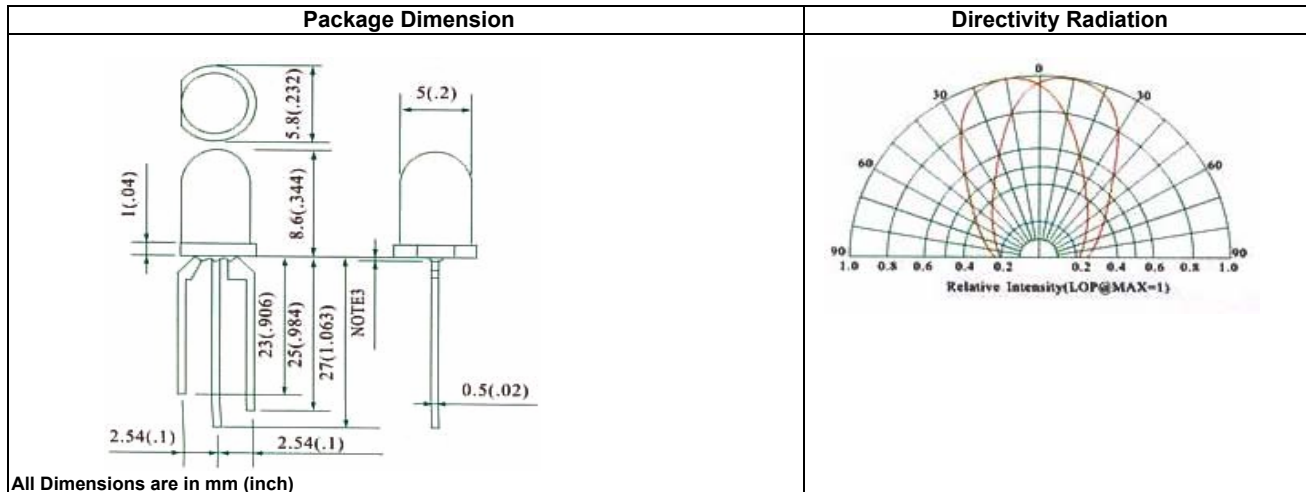


5.8 mm Round Type Dual Color LED with Collar - Three Leads
Viewing Angle - 64°/70°

52K-9 Series



| Electrical Characteristics | | | | | | | |
|----------------------------|---------------|----------------|----------------|------------------|----------------------------------|-----|-------------|
| Part No. | Chip Material | Emitted Colour | Lens Colour | Wave Length | Electro - Optical | | |
| | | | | λ_P (nm) | Characteristics ($I_f = 20mA$) | | I_v (mcd) |
| | | | | | V_f (v) | | |
| Typ. | Max | | | | | | |
| 52K4711W-9001 | GaP/GaP | Hi-Red | Water Diffused | 700 | 1.8 | 2.6 | 8 |
| | GaP/GaP | Yellow-Green | | 570 | 1.8 | 2.6 | 20 |
| 52K5711W-9001 | GaP/GaP | Hi-Red | Water Diffused | 700 | 1.8 | 2.6 | 8 |
| | GaAsP/GaP | Yellow | | 585 | 1.8 | 2.6 | 20 |
| 52K6711W-9001 | GaP/GaP | Hi-Red | Water Diffused | 700 | 1.8 | 2.6 | 8 |
| | GaAsP/GaP | Orange | | 605 | 1.8 | 2.6 | 20 |
| 52K4511W-9001 | GaP/GaP | Yellow-Green | Water Diffused | 570 | 1.8 | 2.6 | 20 |
| | GaAsP/GaP | Yellow | | 585 | 1.8 | 2.6 | 20 |
| 52K1711W-9001 | GaAsP/GaP | Hi-Eff Red | Water Diffused | 635 | 1.8 | 2.6 | 800 |
| | GaN | Blue | | 470 | 2.6 | 3.8 | 400 |
| 52K2755W-9001 | GaAsP/GaP | Hi-Eff Red | Water Diffused | 635 | 1.8 | 2.6 | 800 |
| | GaN | Blue Green | | 505 | 2.6 | 3.8 | 1000 |
| 52K3755W-9001 | GaAsP/GaP | Hi-Eff Red | Water Diffused | 635 | 1.8 | 2.6 | 800 |
| | GaN | Blue Green | | 525 | 2.6 | 3.8 | 1000 |
| 52K1325W-9001 | GaN | Blue | Water Diffused | 470 | 2.6 | 3.8 | 400 |
| | GaN | Blue Green | | 525 | 2.6 | 3.8 | 1000 |

52K-9_LEDRev100506D

| Electrical Parameter (at T _a = 25°C) | | | | | | |
|---|---------------------------------------|--|--|------------------|---|---------------------------------------|
| Colour | Reverse Voltage V _r (v) | Forward Current I _f (mA) | Forward Current Peak I _{fp} * (mA) | Power Pd (mW) | Operating Temp T _{opr} (°C) | Storage Temp T _{stg} (°C) |
| Green (GaP) | 6 | 25 | 100 | 80 | -25 ~ +80 | -40 ~ +40 |
| Red (GaP) | 6 | 25 | 100 | 80 | -25 ~ +80 | -40 ~ +40 |
| Orange (GaAsP/GaP) | 6 | 25 | 100 | 80 | -25 ~ +80 | -40 ~ +40 |
| Yellow (GaAsP/GaP) | 6 | 25 | 100 | 80 | -25 ~ +80 | -40 ~ +40 |
| Ultra Yellow (AlGaInP) | 6 | 30 | 100 | 80 | -25 ~ +80 | -40 ~ +40 |
| Ultra Orange (AlGaInP) | 6 | 30 | 100 | 80 | -25 ~ +80 | -40 ~ +40 |
| Ultra Red (AlGaInP) | 6 | 30 | 100 | 80 | -25 ~ +80 | -40 ~ +40 |
| Ultra Yellow Green | 6 | 30 | 100 | 80 | -25 ~ +80 | -40 ~ +40 |
| Blue (GaN/SiC) | 6 | 30 | 100 | 170 | -25 ~ +80 | -40 ~ +40 |

* 1/10 Duty Cycle. 0.1 ms Pulse Width

| Soldering Instructions | | | | | | |
|------------------------|------------------------|--------------------|------------------------------------|----------------------------------|--------------------|------------------------------|
| Types | DIP and Wave Soldering | | | Iron Soldering (1.5 mm Iron Tip) | | |
| | Temp of Soldering Bath | Max Soldering Time | Distance from Solder Joint to Case | Temp of Soldering Iron | Max Soldering Time | Distance from Solder to case |
| LEDs | ≤ 260 °C | 3S | >2mm | ≤ 300 °C | 3S | >2mm |
| | ≤ 260 °C | 5S | >4mm | ≤ 300 °C | 5S | >4mm |

Component Disposal Instructions

1. All Devices are RoHS compliant, customers are requested to please dispose as per prevailing Environmental Legislation of their Country.
2. In Europe, please dispose as per EU Directive 2002/96/EC on Waste Electrical and Electronic Equipment (WEEE).

Disclaimer

The product information and the selection guides facilitate selection of the next LEDs best suited for application in your product(s) as per your requirement. It is recommended that you completely review our Data Sheet(s) so as to confirm that the LED(s) meet functionality parameters for your application. The information furnished in the Data Sheet and on the CDIL Web Site/CD are believed to be accurate and reliable. CDIL however, does not assume responsibility for inaccuracies or incomplete information. Furthermore, CDIL does not assume liability whatsoever, arising out of the application or use of any CDIL product; neither does it convey any license under its patent rights nor rights of others. These products are not designed for use in life saving/support appliances or systems. CDIL customers selling these products (either as individual LEDs or incorporated in their end products), in any life saving/support appliances or systems or applications do so at their own risk and CDIL will not be responsible for any damages resulting from such sale(s). CDIL strives for continuous improvement and reserves the right to change the specifications of its products without prior notice.



CDIL is a registered Trademark of
Continental Device India Limited
 C-120 Naraina Industrial Area, New Delhi 110 028, India.
 Telephone + 91-11-2579 6150, 4141 1112 Fax + 91-11-2579 5290, 4141 1119
 email@cdil.com www.cdilsemi.com