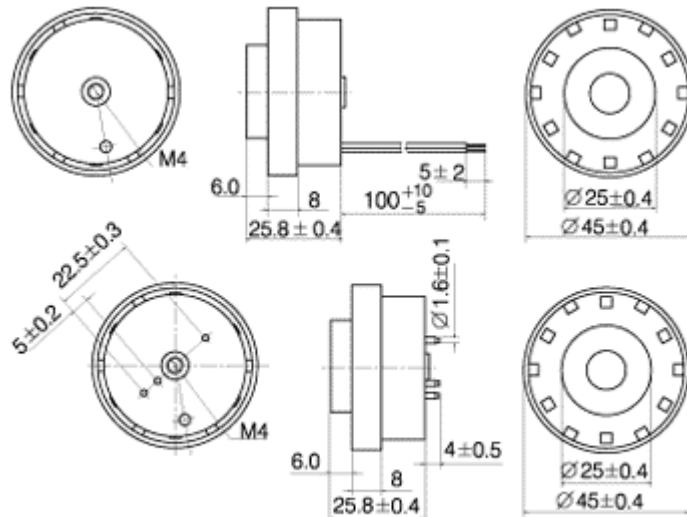




Type	A	B	C	D
Rated Voltage(V _{oc})	12	24	12	
Operating Voltage(V _{oc})	1~13	1~28	1~13	
◆Rated Current(mA)	<35	<20		<35/20
◆Sound Output at 30cm(dB)	>105	>100		<105/100
◆Resonant Frequency(Hz)	2900 ± 500			
◆Pulse Rated(Pulse/Sec)	NIL		2~7	NIL/2~7
Tone	SINGLE		PULSE	SINGLE/PULSE
Terminal	LEAD/PN			3LEADS
Operating Temperature(°C)	-20~+60			
Storage Temperature(°C)	-30~+70			

◆ Value applying at rated voltage.



Unit:mm