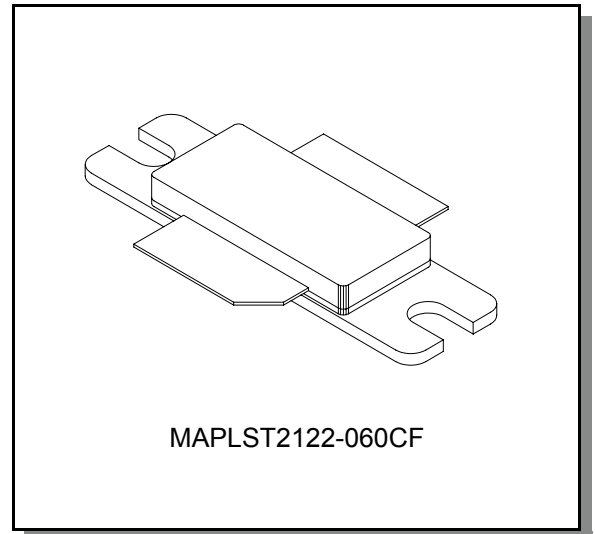


Features

Designed for W-CDMA base station applications in the 2.1 to 2.2 GHz Frequency Band. Suitable for TDMA, CDMA, and multicarrier power amplifier applications.

- 60W output power at P_{1dB} (CW)
- 12dB Minimum Gain at P_{1dB} (CW)
- W-CDMA Typical Performance: (28V_{DC}, -45dB ACPR @ 4.096MHz)
 - Output Power: 7.5W (typ.)
 - Gain: 12dB (typ.)
 - Efficiency: 16% (typ.)
- 10:1 VSWR Ruggedness (CW @ 60W, 28V, 2110MHz)

Package Style



Maximum Ratings

Parameter	Symbol	Rating	Units
Drain—Source Voltage	V_{DSS}	65	V _{dc}
Gate—Source Voltage	V_{GS}	20	V _{dc}
Total Power Dissipation @ $T_C = 25\text{ }^\circ\text{C}$	P_D	175	W
Storage Temperature	T_{STG}	-40 to +150	$^\circ\text{C}$
Junction Temperature	T_J	+200	$^\circ\text{C}$

Thermal Characteristics

Characteristic	Symbol	Max	Unit
Thermal Resistance, Junction to Case	$R_{\theta JC}$	1.0	$^\circ\text{C/W}$

NOTE—CAUTION—MOS devices are susceptible to damage from electrostatic charge. Precautions in handling and packaging MOS devices should be observed.

Preliminary

Characteristic	Symbol	Min	Typ	Max	Unit
DC CHARACTERISTICS @ 25°C					
Drain-Source Breakdown Voltage ($V_{GS} = 0$ Vdc, $I_D = 20$ μ Adc)	$V_{(BR)DSS}$	65	—	—	Vdc
Zero Gate Voltage Drain Leakage Current ($V_{DS} = 28$ Vdc, $V_{GS} = 0$)	I_{DSS}	—	—	1	μ Adc
Gate—Source Leakage Current ($V_{GS} = 5$ Vdc, $V_{DS} = 0$)	I_{GSS}	—	—	1	μ Adc
Gate Threshold Voltage ($V_{DS} = 10$ Vdc, $I_D = 1$ mA)	$V_{GS(th)}$	2	—	4	Vdc
Gate Quiescent Voltage ($V_{DS} = 28$ Vdc, $I_D = 500$ mA)	$V_{DS(Q)}$	2	—	4.5	Vdc
Drain-Source On-Voltage ($V_{GS} = 10$ Vdc, $I_D = 1$ A)	$V_{DS(on)}$	—	0.4	—	Vdc
Forward Transconductance ($V_{GS} = 10$ Vdc, $I_D = 1$ A)	Gm	—	2.4	—	S
DYNAMIC CHARACTERISTICS @ 25°C					
Input Capacitance (Including Input Matching Capacitor in Package) ($V_{DS} = 28$ Vdc, $V_{GS} = 0$, $f = 1$ MHz)	C_{iss}	—	180	—	pF
Output Capacitance ($V_{DS} = 28$ Vdc, $V_{GS} = 0$, $f = 1$ MHz)	C_{oss}	—	65	—	pF
Reverse Transfer Capacitance ($V_{DS} = 28$ Vdc, $V_{GS} = 0$, $f = 1$ MHz)	C_{rss}	—	3.0	—	pF
RF FUNCTIONAL TESTS @ 25°C (In M/A-COM Test Fixture)					
Two-Tone Common-Source Amplifier Power Gain ($V_{DS} = 28$ Vdc, $P_{OUT} = 60$ W PEP, $I_{DQ} = 500$ mA, $f_1 = 2140.0$ MHz, $f_2 = 2140.1$ MHz)	G_{ps}	—	12.0	—	dB
Two-Tone Drain Efficiency ($V_{DS} = 28$ Vdc, $P_{OUT} = 60$ W PEP, $I_{DQ} = 500$ mA, $f_1 = 2140.0$ MHz, $f_2 = 2140.1$ MHz)	EFF (η)	—	35	—	%
Two-Tone Common-Source Amplifier Power Gain ($V_{DS} = 28$ Vdc, $P_{OUT} = 60$ W PEP, $I_{DQ} = 500$ mA, $f_1 = 2140.0$ MHz, $f_2 = 2140.1$ MHz)	IMD	—	-30	-28	dBc
Input Return Loss ($V_{DS} = 28$ Vdc, $P_{OUT} = 60$ W PEP, $I_{DQ} = 500$ mA, $f_1 = 2140.0$ MHz, $f_2 = 2140.1$ MHz)	IRL	—	-12	—	dB
Two-Tone Common-Source Amplifier Power Gain ($V_{DS} = 28$ Vdc, $P_{OUT} = 60$ W PEP, $I_{DQ} = 500$ mA, $f_1 = 2110.0$ MHz, $f_2 = 2110.1$ MHz and $f_1 = 2170.0$ MHz, $f_2 = 2170.1$ MHz)	G_{ps}	—	12.0	—	dB
Two-Tone Drain Efficiency ($V_{DS} = 28$ Vdc, $P_{OUT} = 60$ W PEP, $I_{DQ} = 500$ mA, $f_1 = 2110.0$ MHz, $f_2 = 2110.1$ MHz and $f_1 = 2170.0$ MHz, $f_2 = 2170.1$ MHz)	EFF (η)	—	35	—	%
Two-Tone Common-Source Amplifier Power Gain ($V_{DS} = 28$ Vdc, $P_{OUT} = 60$ W PEP, $I_{DQ} = 500$ mA, $f_1 = 2110.0$ MHz, $f_2 = 2110.1$ MHz and $f_1 = 2170.0$ MHz, $f_2 = 2170.1$ MHz)	IMD	—	-30	-28	dBc
Input Return Loss ($V_{DS} = 28$ Vdc, $P_{OUT} = 60$ W PEP, $I_{DQ} = 500$ mA, $f_1 = 2110.0$ MHz, $f_2 = 2110.1$ MHz and $f_1 = 2170.0$ MHz, $f_2 = 2170.1$ MHz)	IRL	—	-12	-9	dB
Output VSWR Tolerance ($V_{DD} = 28$ Vdc, $P_{OUT} = 60$ W, $I_{DQ} = 500$ mA, $f = 2110$ MHz, VSWR = 10:1, All Phase Angles at Frequency of Tests)	Ψ	No Degradation In Output Power Before and After Test			

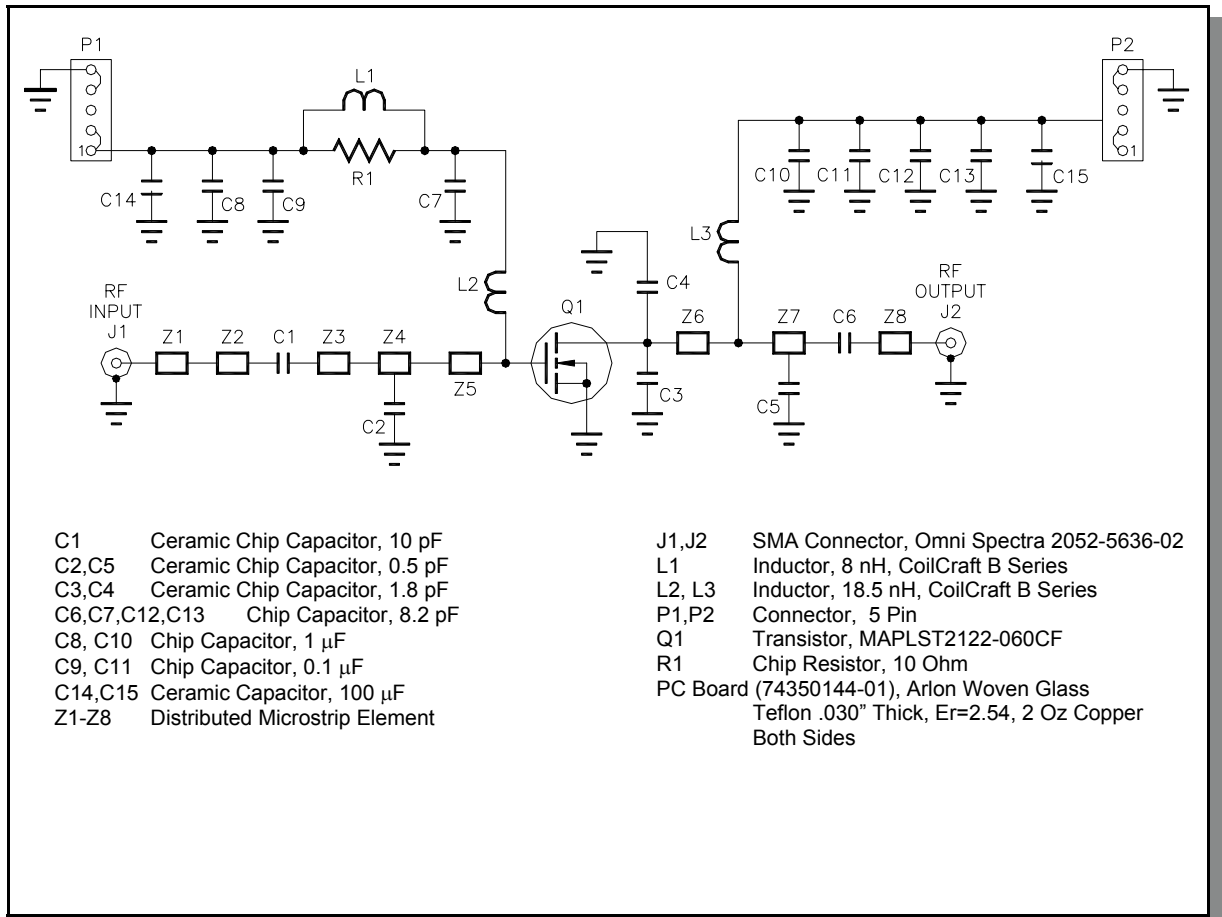


Figure 1. 2110—2170 MHz Test Fixture Schematic

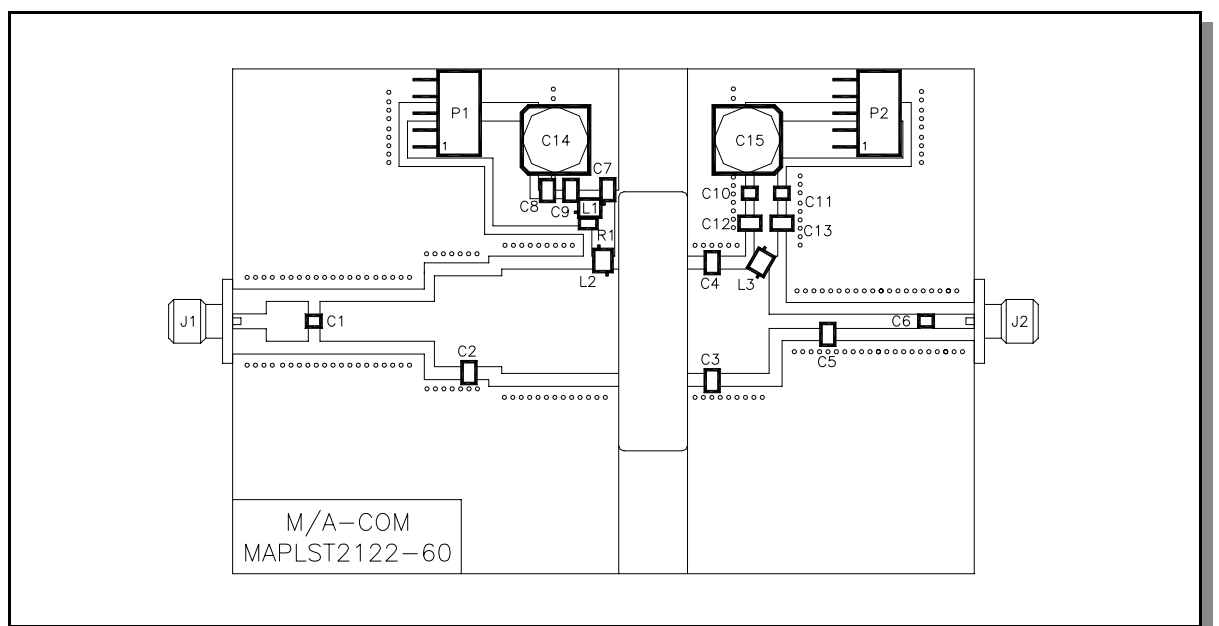
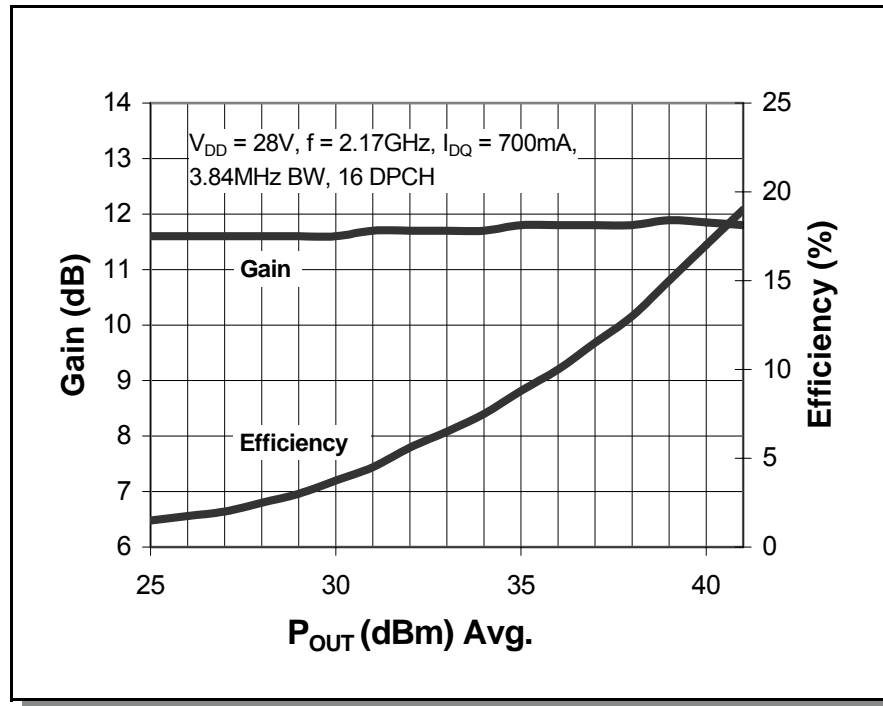
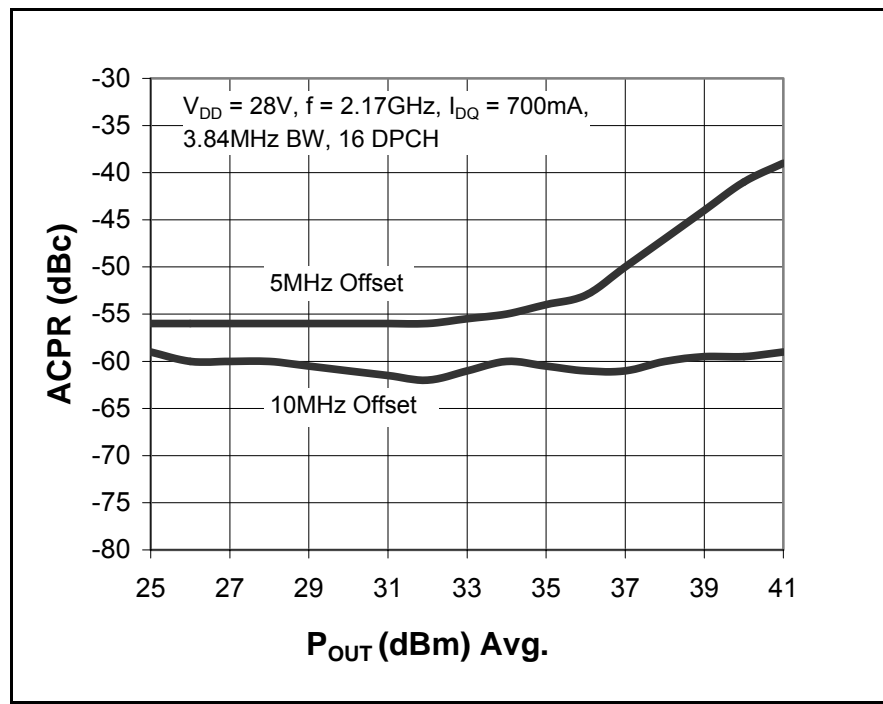


Figure 2. 2110—2170 MHz Test Fixture Component Layout

Preliminary

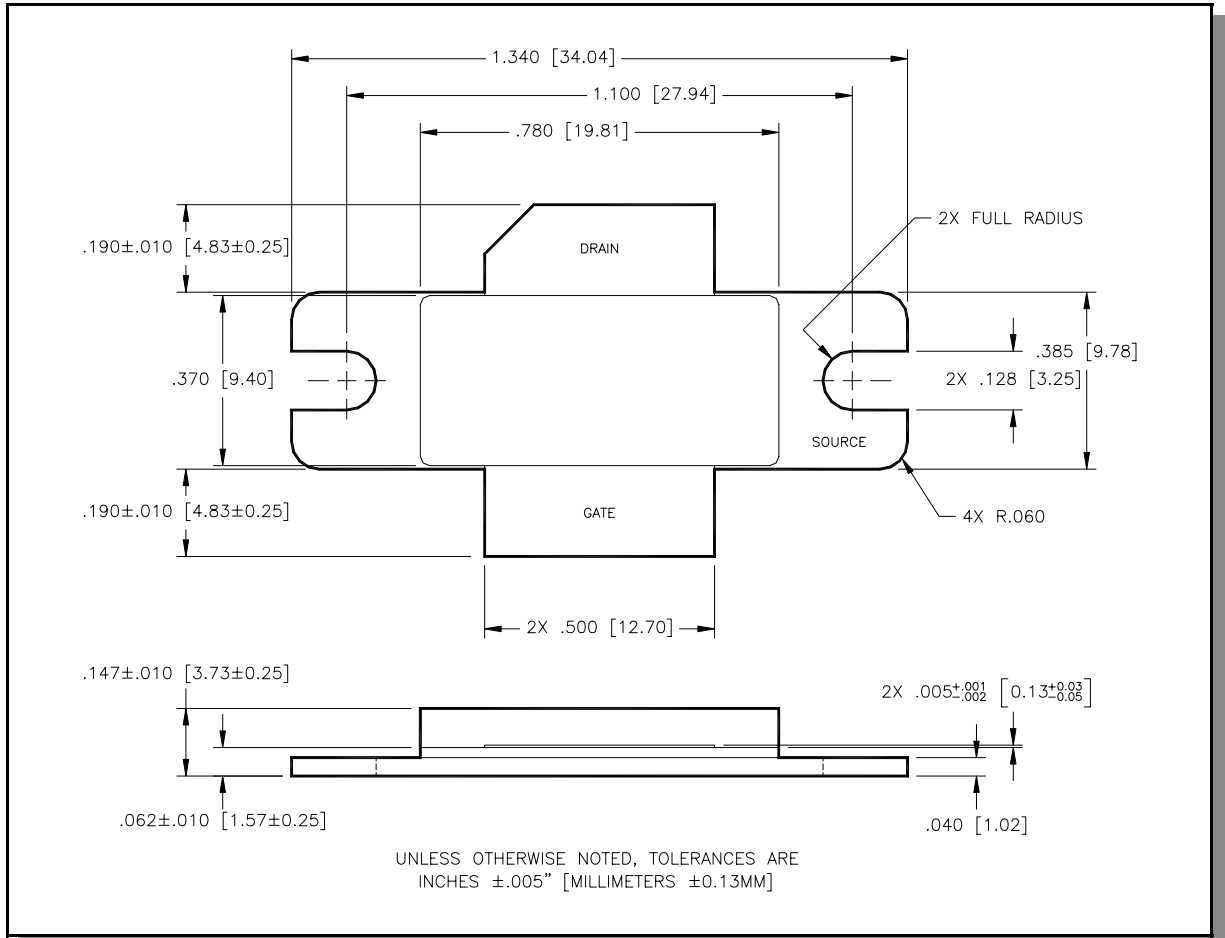


Graph 1. W-CDMA: Power Gain and Drain Efficiency vs. Output Power



Graph 2. W-CDMA: Adjacent Channel Power Ratio vs. Output Power

Package Dimensions



M/A-COM Inc. and its affiliates reserve the right to make changes to the product(s) or information contained herein without notice. M/A-COM makes no warranty, representation or guarantee regarding the suitability of its products for any particular purpose, nor does M/A-COM assume any liability whatsoever arising out of the use or application of any product(s) or information.

Visit www.macom.com for additional data sheets and product information.

- North America: Tel. (800) 366-2266
- Asia/Pacific: Tel.+81-44-844-8296, Fax +81-44-844-8298
- Europe: Tel. +44 (1344) 869 595, Fax+44 (1344) 300 020