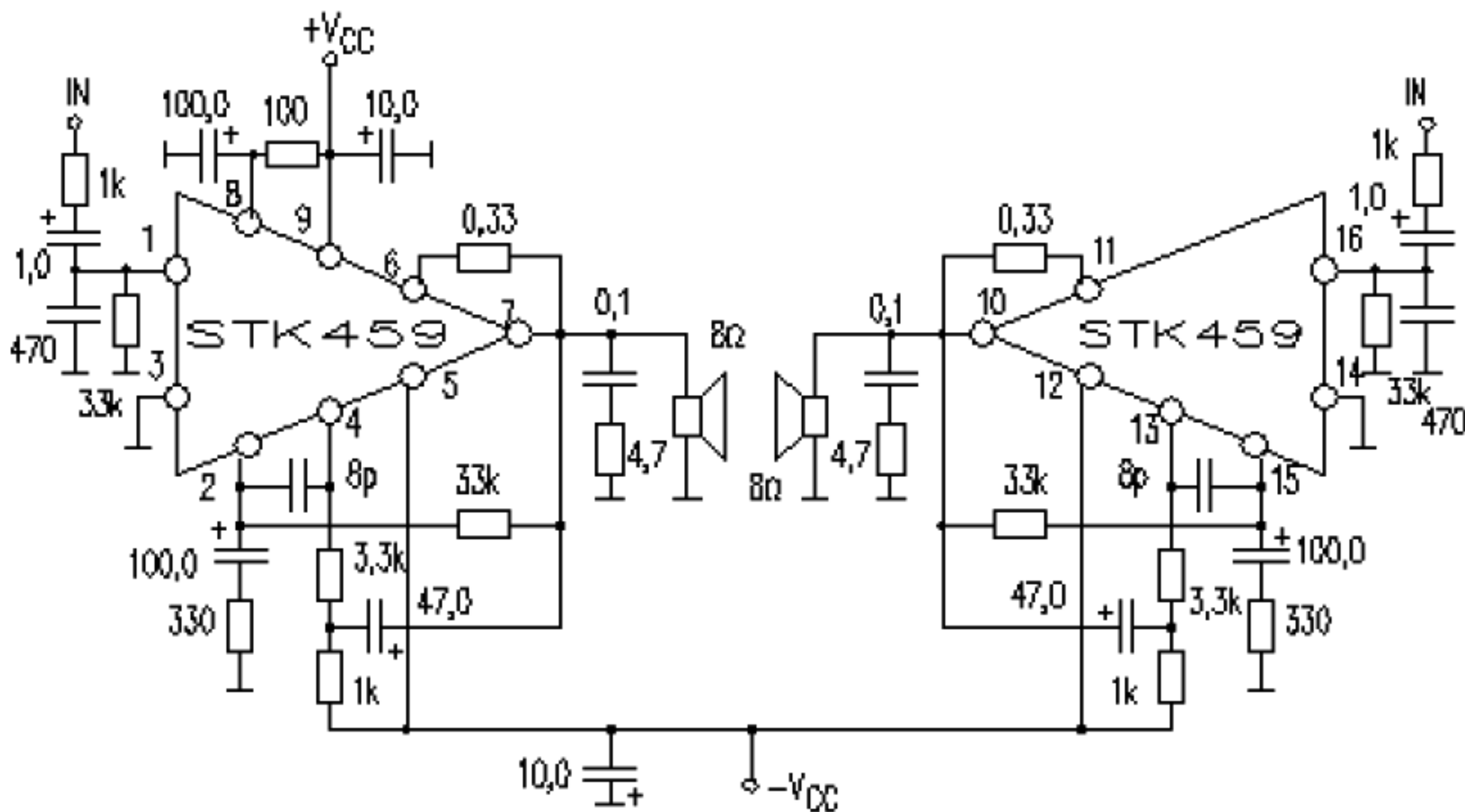


# STK459

## POWER AMPLIFIER 2X15W



$V_{CC\ MAX} = \pm 31V$

$V_{CC\ TYP} = \pm 21V \pm 19V$

$V_{CC\ RNG} = -$

$P_o = 2 \times 15W \quad 2 \times 20W$

$R_L = 8\ \Omega \quad 4\ \Omega$

$TDH = 0,08\% \quad 0,2\%$

$I_{CC0\ TYP} = 40mA$

$I_{CC0\ MAX} = 120mA$

$I_{MAX} = -$

$R_{IN} = 32k$

Gain = 40dB

Noise = 1,2mV

$R_{THJ-C} = -$

Case H15