

PL-2305

USB TO IEEE1284 BRIDGE CONTROLLER

Bi-Direction Parallel Interface

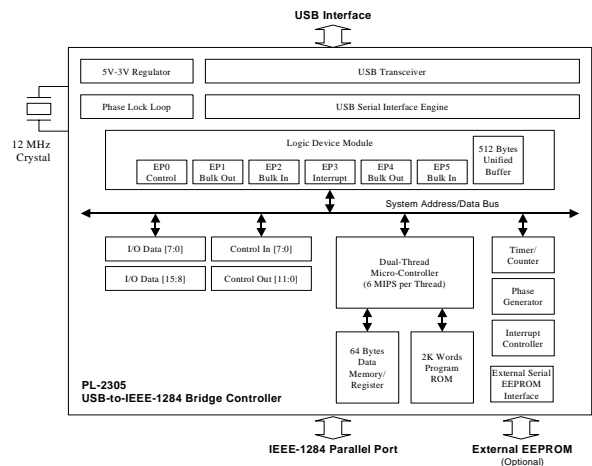
OVERVIEW

The PL-2305 USB-to-IEEE-1284 Bridge Controller is a low-cost high-performance single chip solution that provides bi-directional connectivity between any standard IEEE-1284 compliant parallel port devices and the Universal Serial Bus (USB) interface. Software drivers for Microsoft Windows 98 and NT 5.0 are also provided to create a seamless migration path from traditional parallel port to the USB environment.

The PL-2305 is based on Prolific Technology's USB Universal Parallel Bridge Controller (U-PBC) Dual-Thread Micro-Controller. With 512 bytes of unified data buffer, it is capable of providing maximum throughput for both upstream and downstream data transfer for a wide variety of devices. The IEEE-1284 interface of PL-2305 is robust enough to handle various not-so-compliant parallel port implementations.

FEATURE

- Universal Serial Bus Specification Rev. 1.1 compliant
- USB full speed communication and bus powered
- USB Printer Class Specification 1.0 compliant
- IEEE-1284 1994 (bi-directional parallel interface) specification compliant
- Optional external EEPROM for customized USB Vendor ID, Product ID, Device Release Number, Manufacturer String Descriptor, Product String Descriptor, Serial Number String Descriptor, and any other string descriptors up to 248 bytes in total size
- Low-level printer class drivers provided for Windows 98, and Windows 2000.
- 48-Pin SSOP package.



The external 2-wire Serial EEPROM could be used to store customized Vendor ID, Product ID, Device Release Number, Manufacturer String Descriptor, Product String Descriptor, Serial Number String Descriptor, and any other string descriptors to better represent the customer's end product.

Prolific Technology Inc.

6F, No. 1, Lane 51, Sec. 1, Nan-Chan Rd.,
Taipei, Taiwan, R. O. C.
Tel : 886-2-2356-8388
Fax : 886-2-2356-8320
E-mail : sales@prolific.com.tw
<http://www.prolific.com.tw>

Windows is a registered trademark of
Microsoft Corporation. © 1999, Prolific
Technology Inc.
All rights reserved. March/1999

