

# Installation Instructions

**LC700  
LC750**

**Patient Care Unit with  
Standard Laminate or  
Optional Terreon®  
Lavatory Top**

## Table of Contents

Pre-Installation Information	2
Installation Instructions	
Unpacking the Patient Care Unit	3
Installing the Anchors	4
Water Closet and Waste Connections	5
Installing the Inline Backflow Preventer	6
Installing the Cabinet	6
Installing the Terreon® Lav Top	6
Installing the Faucet and Water Supply	7
Completing Connections	8
Installing the Cabinet Floor and Back Panel	8
Installing the Door Linkage	9
Cleaning and Maintenance	10



### WARNING

**Before beginning installation, all supply, drain and waste piping to the unit must be completed according to the rough-ins received prior to receiving the unit. If you have not received rough-ins, contact your Bradley representative.**

**All mounting hardware provided is essential for proper anchoring. Bradley Corporation cannot assume any responsibility for personal injury or damage to equipment due to an improperly installed unit.**

**Flush all water supply lines before beginning installation.**

**This installation manual covers all instructions for the LC700 or LC750 series including those with Terreon® Lav tops. Omit any steps that do not apply to the model you are installing.**

**Figures shown in this manual illustrate a right-hand model. A left-hand model would be opposite to what is shown.**

**Product warranties may be found under "Product Information" on our web site at [www.bradleycorp.com](http://www.bradleycorp.com).**



## Pre-Installation Information

### Overview

The Bradley LC700 and LC750 Patient Care Units are all-in-one units containing a water closet and lavatory. The units come with either a laminate or Terreon® lavatory top and may include an optional flexible bedpan washer, inline backflow preventer and/or dialysis box.

### Check contents

Separate all parts from packaging and make sure all parts are accounted for before discarding any packaging material. If any parts are missing, do not attempt to install your Bradley Patient Care Unit until you obtain the missing parts.

*NOTE: The LC700 and LC750 Patient Care Units are shipped assembled (except for faucet-mount option) and secured to a false plywood floor like it will be installed at your location. **DO NOT DISCARD PLYWOOD FLOOR!** The plywood floor will serve as your anchor hole location template.*

*NOTE: Before beginning installation, all supply, drain and waste piping to your Bradley Patient Care Unit must be completed according to rough-ins received prior to receiving the unit. If you have not received rough-ins, contact your Bradley representative.*

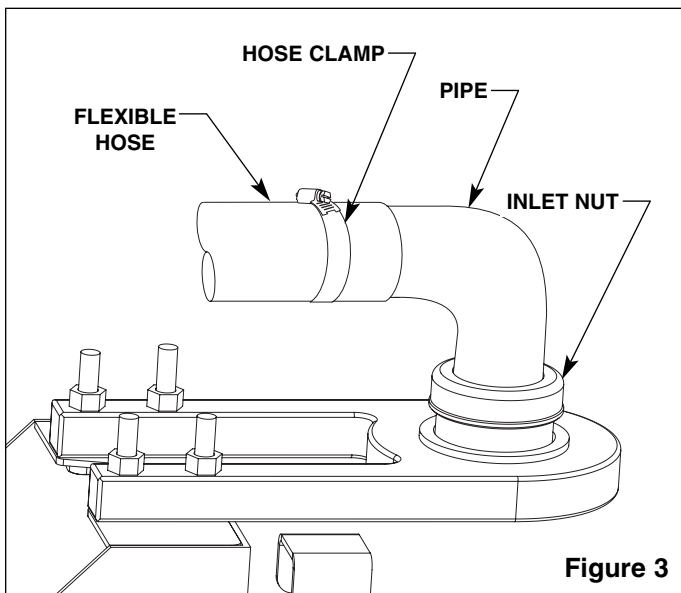
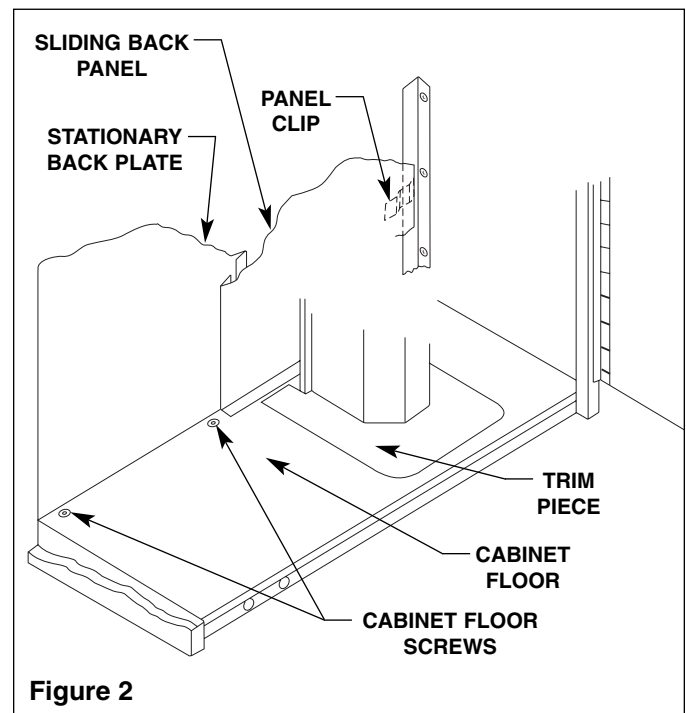
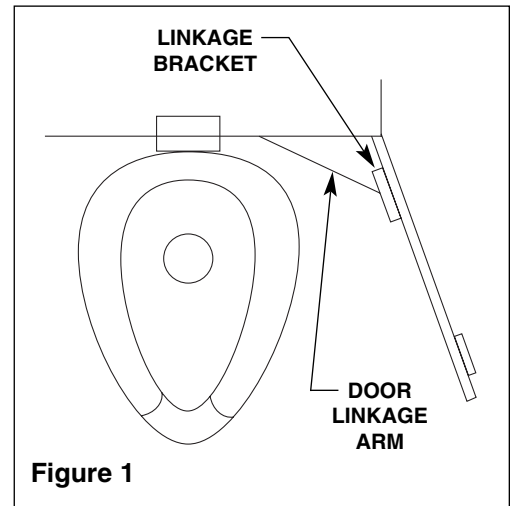
### Supplies required for installation:

- Steel angles and hardware for anchoring the water closet (if concrete is lightweight or less than 4" thick)
- Hardware for waste outlet connections
- Shims (for water closet or cabinet installation, if necessary)
- Supply piping (including 1/2" NPT flexible hoses) to water closet, faucet or foot valve, and bedpan washer
- Waste outlet piping to water closet
- P-trap and drain piping
- Silicone caulk

## Installation Instructions

### Step 1: Unpack the Patient Care Unit

1. Remove the packaging around the Patient Care Unit.
2. Remove the door linkage by removing the nut fastened on the linkage bracket (see Figure 1). Note the location of the rod on the linkage bracket.
3. Lift out the trim piece around the water closet on the cabinet floor (see Figure 2).
4. Unfasten the two panel clips and slide the sliding back panel so that the panel lips unlock (see Figure 2). Bring the panel out of the front of the cabinet.
5. Remove the cabinet floor by removing the two screws holding the floor in place and sliding the cabinet floor out.
6. Remove the flexible hose, hose clamp, inlet nut and pipe from the water closet (see Figure 3).
7. Unbolt the water closet and cabinet assembly from the floor/template. Discard the shipping hardware for the water closet and cabinet, but **DO NOT** discard the plywood floor/template.



## Installation Instructions *continued . . .*

### Step 2: Install the anchors

*NOTE FOR OPTIONAL FOOT VALVE: It is recommended that floor anchors be used to secure the foot valve to the floor (anchors and appropriate hardware supplied by installer).*

1. Select the location where the patient care unit is to be installed. Using the supplied template, lay out the hole pattern for the water closet and cabinet anchor locations (see Figure 4).

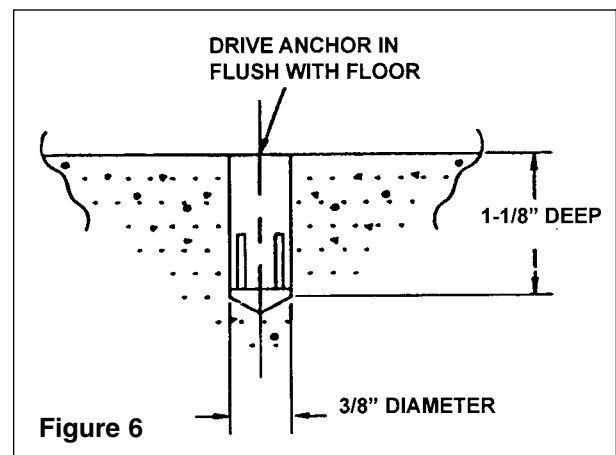
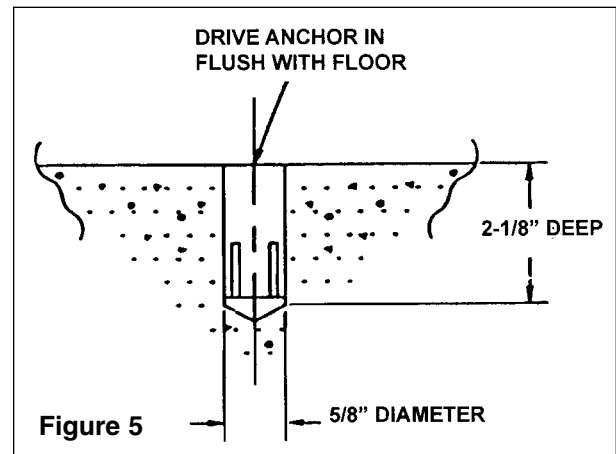
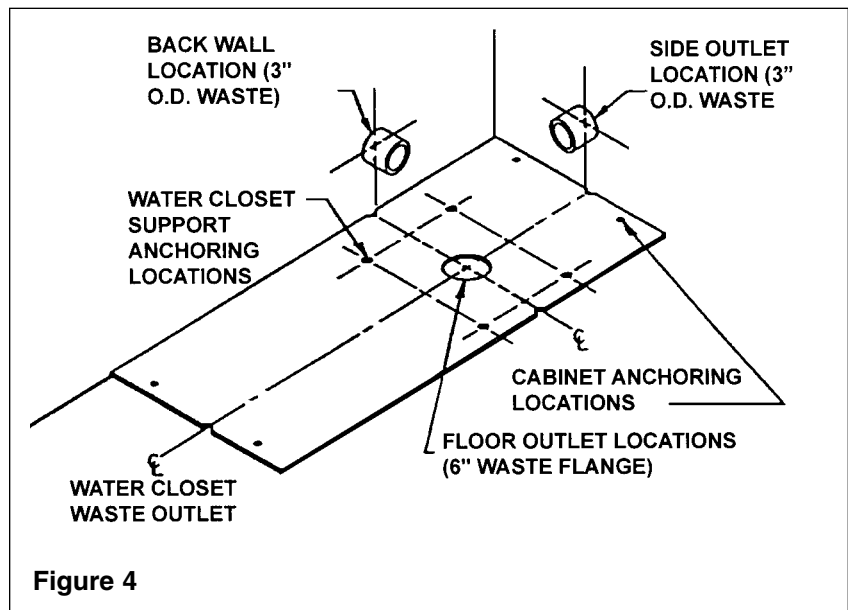
*NOTE FOR OPTIONAL FOOT VALVE: Use the foot valve as a template and lay out the anchor locations on the floor. Drill appropriate holes for two anchors.*

2. Using a 5/8" concrete drill bit, drill four 2-1/8" deep holes into the water closet support anchoring locations using the template (see Figure 4). Holes must be clean and free of debris.
3. Using a 3/8" concrete drill bit, drill four 1-1/8" deep holes into the cabinet anchoring locations using the template (see Figure 4). Holes must be clean and free of debris.

*NOTE: If the floor concrete is lightweight or less than 4" thick, Bradley recommends through-bolting to steel angles under the floor (hardware supplied by installer) (see Figure 7 on page 5).*

*NOTE FOR OPTIONAL FOOT VALVE: Install appropriate anchors into the floor for foot valve anchoring.*

4. Remove the template. Drive the four 2-1/8" anchors provided into the drilled holes for the water closet using a hammer and the setting tool supplied. The anchor should be driven in flush with the floor (see Figure 5).
5. Drive the four 1/8" anchors provided into the drilled holes for the cabinet using a hammer and the setting tool. Make sure the anchors are driven in flush with the floor (see Figure 6).



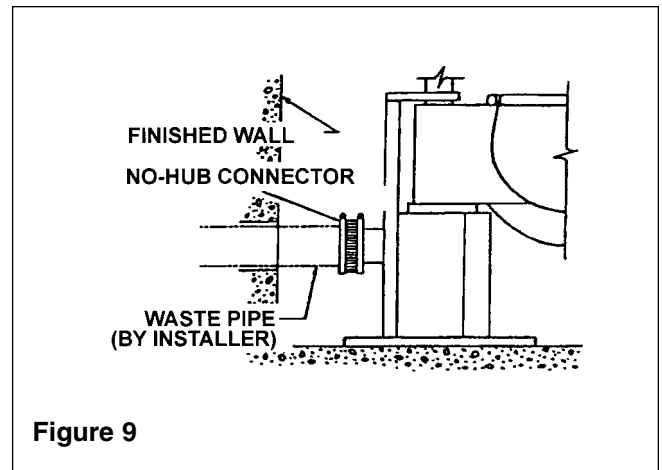
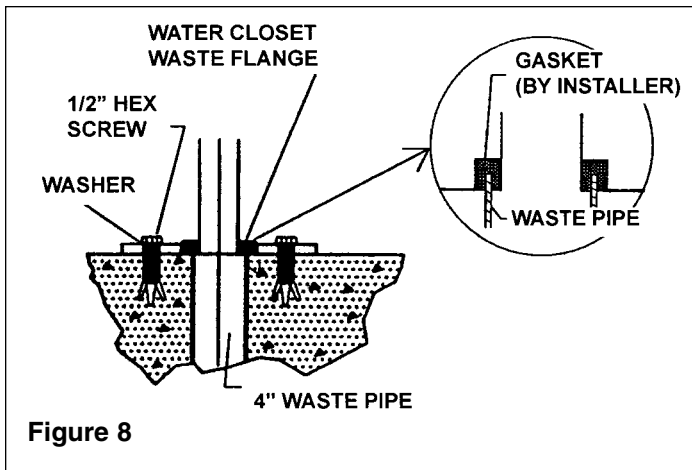
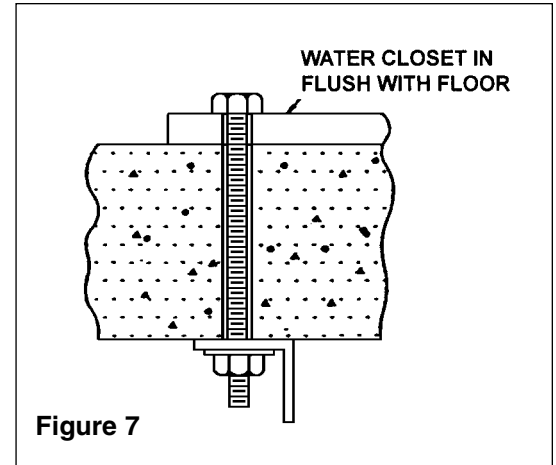
## Installation Instructions *continued* . . .

### Step 3: Install the water closet and waste connections

1. Place the water closet over the water closet support anchors installed in Step 2 on page 4.
2. Using the gasket supplied, connect the water closet to the floor waste outlet (gaskets supplied by installer) (see Figure 8).

*NOTE: If the waste outlet is through the back or side wall, use a no-hub type connector (available as an option) but DO NOT tighten the connector (see Figure 9).*

3. Square the water closet to the back wall. Level and support the water closet solidly at the four corners using shims (supplied by installer) if necessary.
4. Secure the water closet to the four floor anchors using the 1/2" hex screws and washers supplied and tighten securely (see Figure 8).
5. On patient care units with a back waste connection, tighten the connector clamps at this time.



## Installation Instructions *continued* . . .

### Step 4: Install the inline backflow preventer (for volume control or foot control)

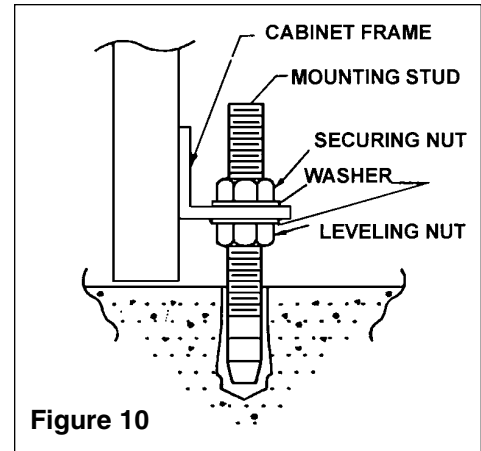
1. Install the supplied inline backflow preventer to the wall per local code.
2. Connect the water supply to the inlet of the foot valve (or volume control valve, based on option supplied).

*NOTE* The foot valve inlet is located on the backside of the valve.

3. Connect the outlet of the foot valve (or volume control valve, based on option supplied) to the inlet of the backflow preventer.

*NOTE* The foot valve outlet is located on the topside of the valve.

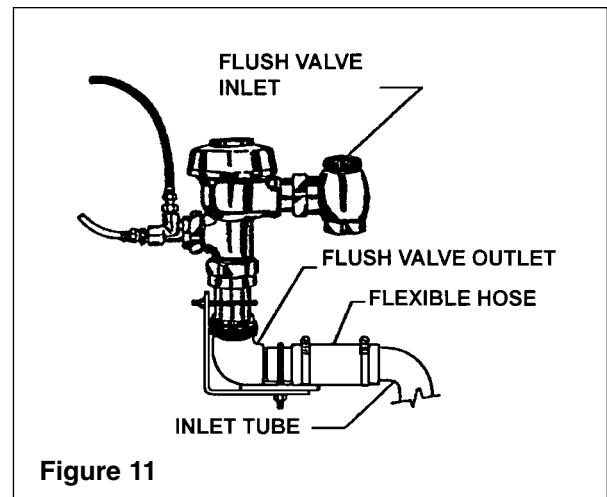
4. Connect the outlet of the backflow preventer to the inlet of the flexible hose.



### Step 5: Install the cabinet

1. Install the supplied mounting studs into the cabinet anchors installed in Step 2 on page 4.
2. Over each mounting stud, screw on a leveling nut and place a washer over the nut (see Figure 10).
3. With the cabinet floor removed, locate the cabinet in place over the mounting studs (see Figure 10).
4. Add a flat washer and securing nut to each cabinet mounting stud. Level the cabinet and tighten the nuts.

*NOTE FOR OPTIONAL FOOT VALVE:* Install the foot valve with the screws provided to the foot valve anchors (installed in Step 2 on page 4) and tighten.

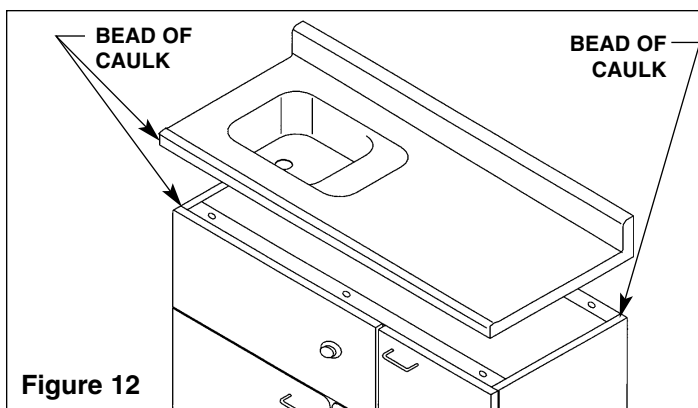


5. Connect the flexible hose, hose clamp, pipe and inlet nut to the water closet as shown in Figure 3 on page 3. Hand-tighten the inlet nut.
6. Connect the flexible hose to the flush valve (see Figure 11).

## Installation Instructions *continued . . .*

### Step 5a: Install the optional Terreon® lavatory top

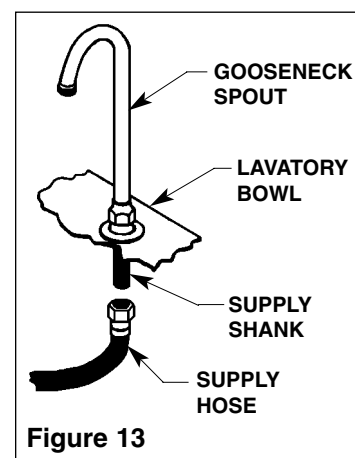
1. Apply a bead of silicone caulk around the outer top edge of the cabinet and between the lavatory top and the wall.
2. Set the lavatory top in place on the cabinet making sure the back and wall sides are flush with the edge of the cabinet (see Figure 12).
3. Clean up any excess caulk.



### Step 6: Install faucet and connect water supply

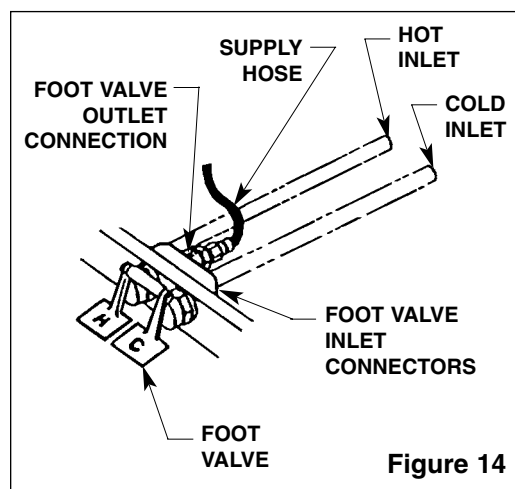
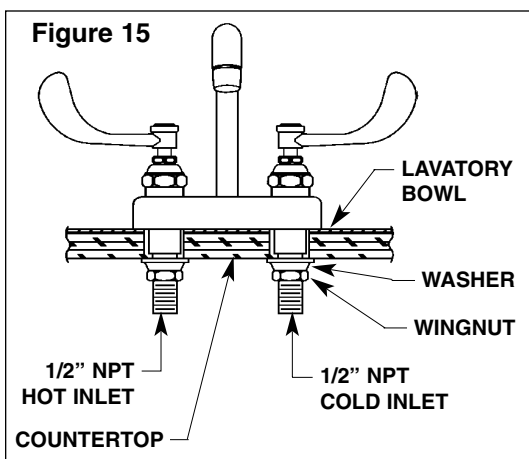
#### FOOT VALVE MODELS (see Figures 13 and 14)

1. Place the faucet onto the countertop, gently inserting the faucet supply shank through the hole provided in the lavatory bowl.
2. Using the washer and wingnut provided, mount the faucet to the countertop by tightening the wingnut on the faucet's supply shank.
3. Connect the flexible supply hose provided from the foot pedal valve to the supply shank.
4. Connect the hot and cold water supply (piping supplied by installer) to the 1/2" NPT inlet connectors on the foot valve (see Figure 14).



#### FAUCET VALVE MODELS (see Figure 15)

1. Place the faucet onto the countertop, gently inserting the faucet supply shanks through the holes provided in the lavatory bowl.
2. Using the washers and wingnuts provided, mount the faucet to the countertop by tightening the wingnut on the faucet's supply shanks.
3. Connect the hot and cold water supply (piping supplied by installer) to the 1/2" NPT inlet connectors on the foot valve.



## Installation Instructions *continued* . . .

### Step 7: Completing Installation

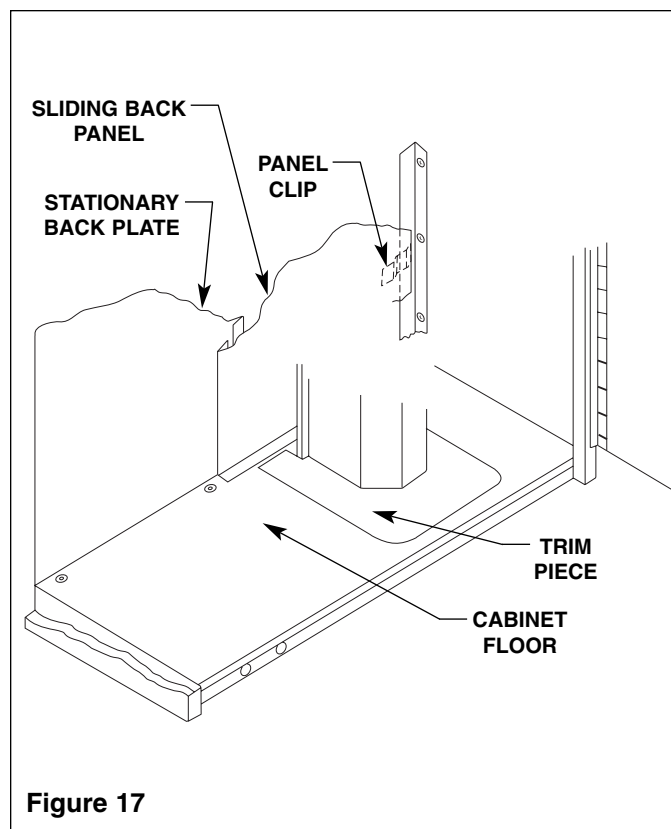
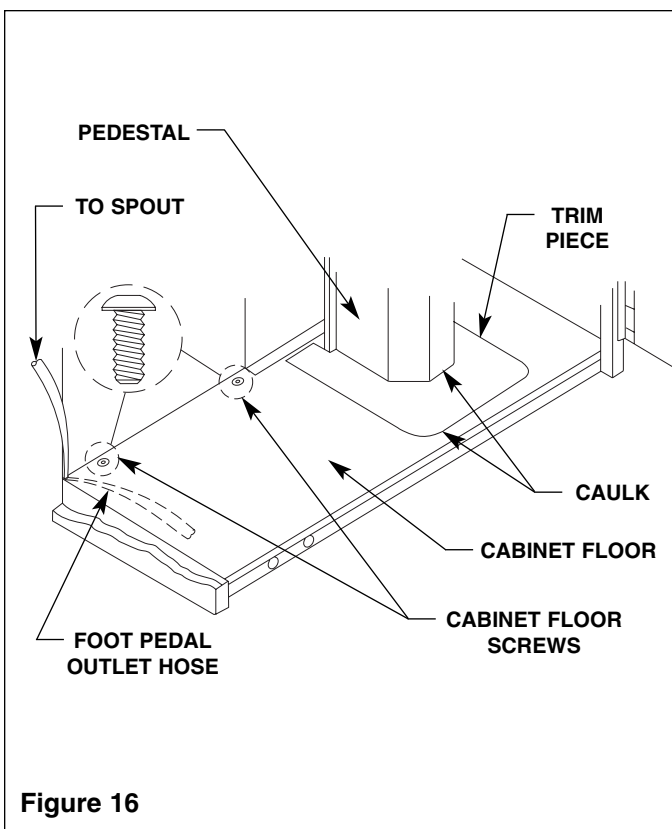
1. Connect the flush valve water supply pipe to the flush valve 1" NPT inlet.
2. Install the strainer and tailpiece.
3. Install the P-trap (supplied by installer) to the sink drain, then connect the P-trap to the drain pipe (piping supplied by installer).

### Step 8: Reinstall the cabinet floor and back panel

1. Reinstall the cabinet floor and secure it to the cabinet frame with the two screws provided (see Figure 16).

*NOTE FOR OPTIONAL FOOT VALVE: The outlet hose must be positioned in the cabinet floor cutout as shown in Figure 16.*

2. Lay the trim piece around the base of the water closet on the cabinet floor (see Figure 16).
3. Using silicone caulk (supplied by installer), caulk between the trim piece and cabinet floor, and caulk the gap between the pedestal and trim piece (see Figure 16).
4. Reinstall the back panel by bringing the sliding back panel in from the front of the module and sliding the back panel into place.
5. Secure the back panel by sliding the back panel onto the frame corner (see Figure 17).





## Installation Instructions *continued* . . .

### Step 9: Reinstall and adjust the door linkage

1. Reinstall the door linkage by loosely fastening the door linkage rod with the supplied nut onto the linkage bracket (see Figure 18).
2. Close the door. If the water closet contacts the back wall before the door closes, adjust the door linkage by turning the door linkage rod so that the door closes before the water closet comes in contact with the back wall (see Figure 18). If no adjustment is needed, tighten the nut securely on the linkage bracket.

*NOTE: The linkage arm has a factory-set length. When the door linkage is fastened to the linkage bracket, the door will open 110 degrees. If the PATIENT CARE UNIT is installed against a corner wall, make sure the door does not come in contact with the wall, or the water closet does not come in contact with the back wall when the door is opened or closed. Make adjustments, if necessary, and refer to Figure 18 with inset.*

3. After the adjustments are made, tighten the nut securely on the linkage arm.

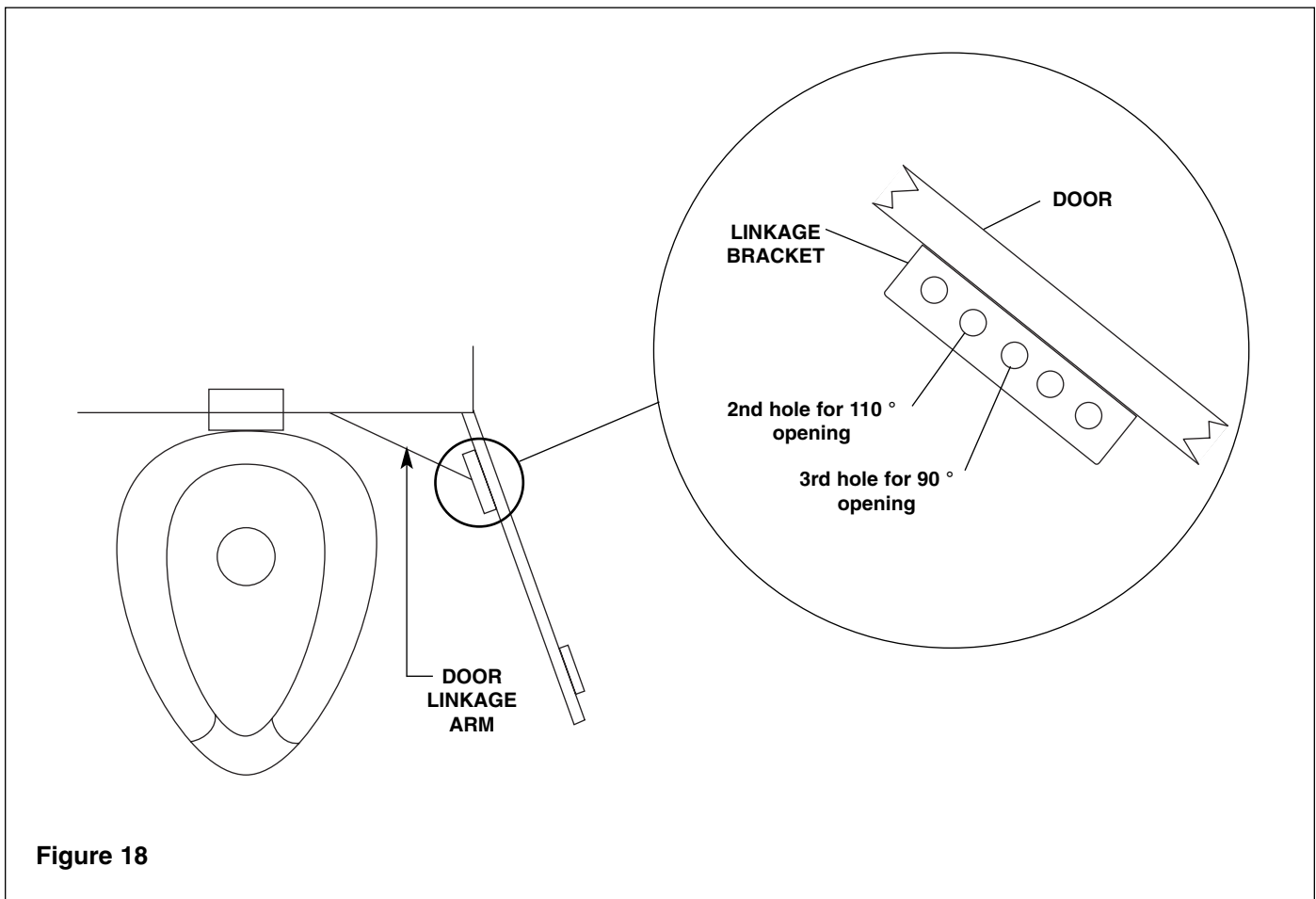


Figure 18

## Patient Care Unit Cleaning and Maintenance

Regular cleaning greatly prolongs the service life of Terreon®, stainless steel and laminate fixtures and, at the same time, helps to maintain a pleasing surface appearance. The amount and frequency of cleaning depends on the service conditions involved. For best results, fixtures should be cleaned as often as films or deposits become apparent. This will remove built-up deposits which may eventually cause concentration cells to set on the surface.



**CAUTION: USING CLEANERS THAT CONTAIN HARSH CHEMICALS, ABRASIVES, ACIDS OR DISINFECTANTS, OR CLEANING WITH STEEL WOOL OR BRUSHES, WILL RESULT IN DAMAGE TO ALL SURFACES. IF THESE CHEMICALS COME IN CONTACT WITH ANY SURFACE, WIPE OFF THE SURFACE IMMEDIATELY AND FLUSH WITH SOAPY WATER. ALWAYS READ THE LABEL ON ANY CLEANING PRODUCT BEFORE APPLYING TO ANY FIXTURE.**

### Terreon® cleaning

- **Daily cleaning:** Wipe the Terreon® with a wet cloth, then rinse with clear water and wipe dry.
- **Weekly cleaning:** Give the Terreon® surface a thorough cleaning with a damp cloth and a household liquid detergent or ammonia-based cleaner. Most stains can be removed by cleaning the Terreon® surface with a mild abrasive cleaner, then rinsing and allowing to dry. Stubborn stains can be cleaned as follows:
  1. using a #7448 Scotch-Brite™ pad, scrub with an abrasive cleanser and water
  2. clean thoroughly with clean soap and water and allow to dry
- **Scorch marks:** Although Terreon® will not burn, a lit cigarette in contact with the Terreon® material could leave a scorch mark. Scorch marks can be removed with either an abrasive cleaner or by buffing with a #7448 Scotch-Brite™ pad.
- **Repair kit:** A repair kit is available from Bradley to repair/patch Terreon®. Contact your Modular Services representative to order a repair kit and be sure to specify color when ordering.

### Stainless steel and laminate cleaning

- Give the laminate surface a thorough cleaning with a non-abrasive liquid tub-and-tile cleaner to remove soil and maintain the glossy finish.

You may safely use the following cleaners:

Formula 409®  
Soft Scrub®

Spic and Span® Powder  
Windex®

Liquid Comet®  
Glass Plus®

Mr. Clean®

**DO NOT** use the following:

Whitecap®

Lysol® Disinfectant Spray

Lestoil®

Pinesol®

Dow® Disinfectant Bathroom Cleaner

acetone, alcohol or steel wool/brushes

- Remove all material and deposits that tend to adhere to the laminate surface, taking special note of crevices and corners
- Remove all material and deposits that tend to adhere to the stainless steel surface with stainless steel polishing powder (always rub in the direction of the polishing lines)
- Check for rust spots or streaks on the stainless steel surface and look for the source of the rust (a steel nail located in some iron or steel not actually a part of the stainless steel fixture may be the cause). Rinse the laminate and stainless steel surfaces thoroughly and dry completely after washing.