



## Description

PT2260 is a remote control encoder paired with either PT2270 or PT 2272 utilizing CMOS Technology. It encodes data and address pins into a serial coded waveform suitable for RF modulation. PT2260 has a maximum of 10 bits tri-state address pins providing up to 59,049 (or  $3^{10}$ ) address codes; thereby, drastically reducing any code collision and unauthorized code scanning possibilities.

PT2260 is one of the first generation of Encoder/Decoder ICs that utilizes the unique PTC Technology. When paired with PT2270, this encoder/decoder (PT2260 / PT2270) pair can operate at very wide temperature range (see Features). Thus, this very important feature enables your Encoder/Decoder to operate under the worst environmental condition.

## Features

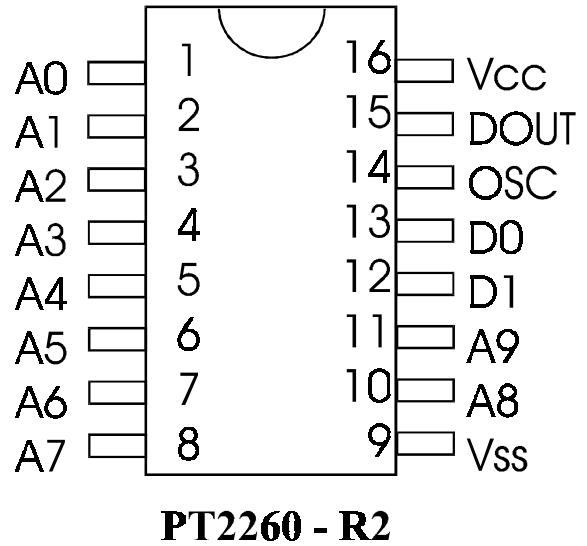
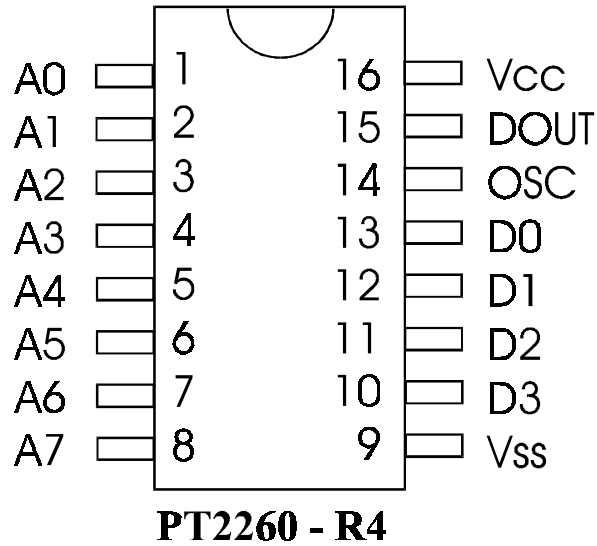
- High Performance CMOS Technology
- Low Power Consumption
- Very High Noise Immunity
- Wide Operating Temperature Range:  $-30^{\circ}\text{C} \sim 70^{\circ}\text{C}$
- 8 or 10 Tri-State Code Address Pins
- 2 or 4 Data Pins
- Wider Range of Operating Voltage: 1.8 ~ 10.0 Volts
- Single Resistor Oscillator
- Least External Components

## Applications

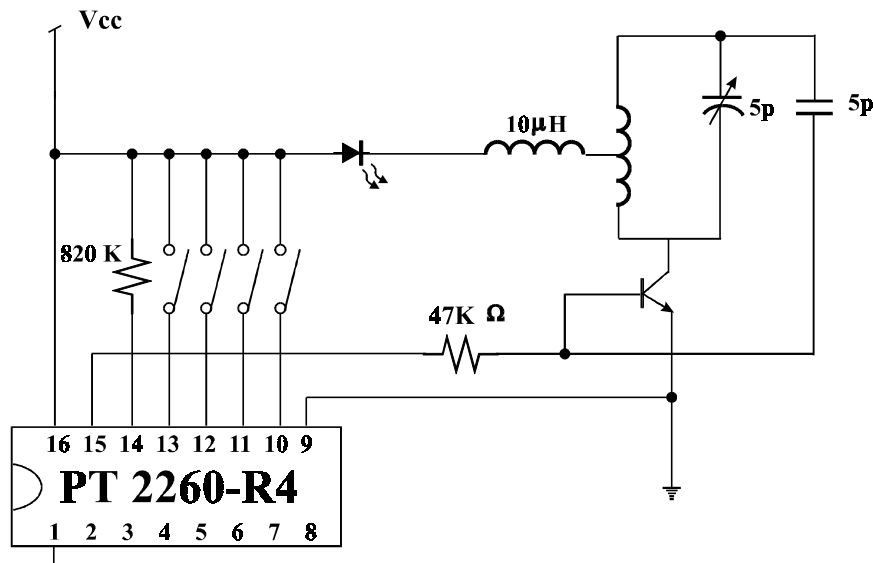
- Home/Car Security System
- Garage Door Controller
- Remote Fan Controller
- Remote Control Toys



### Pin Configurations



### Application Circuits



UHF Band 4-Data Transmitter Circuit is recommended.