

240 Watts

AM80A

Total Power: 240 Watts
Input Voltages: 24V, 48V, 150V, 300V, or 320V
No. of Outputs: Single



Special Features

- 1MHz Fixed frequency
- 100°C Baseplate operating temperature (no derating)
- Low output ripple and noise
- Excellent transient response
- Safety isolated low voltage interface with ALP™ linear control
- High reliability - over 1 million hours MTBF
- Wide input voltage range
- Parallelable with accurate current sharing
- Current and temperature monitoring outputs

Environmental

Operating temperature (baseplate):
-20°C to +100°C

Storage temperature: -40°C to +105°C

Overtemperature protection: 110°C typical

MTBF: > 1 million hours (50°C baseplate)

Environmental

UL	UL 1950	E132002
CSA	CSA22.2-234	LR53982C
	CSA22.2-950	
VDE	IED950	20396-3336-1005 & 1006
EN	60950	
CE	CEMark (LVD)	

Electrical Specs

Input

Input Range	18 - 36V or 36 - 72 VDC or 90 - 200 VDC or 180 - 400 VDC
Efficiency	84% typical (5V @ 40A) 87% typical (12V @ 18A)

Output

Load Regulation	0.1% typical down to no load
Line Regulation	0.02% typical
Noise/Ripple	50 mV typical (output below 5V) 1% typical (output 5V and over)
Remote sense	Up to 0.5V
Output Voltage	
Adjust Range	±20% of nominal
Transient Response	3% typical deviation with 300µs recovery (25-75% full load)
Current Share Accuracy	3% typical
Overvoltage Protection	115% Vo (nominal)
Current Limit	110% Io maximum

Control

Voltage Adjust	80 to 120% Vo linear programming
Enable	TTL compatible (low to enable)
Current Limit Adjust	20 to 100% Io linear programming
Clock Input	
(external sync)	3.3 to 5.5Vp-p @ 1MHz ± 10%
Clock Output	
(internal clock)	4.5Vp-p typical @ 1MHz ± 0.5%
Power Good	
Identification	High (Vo) = power good
Temperature	
Monitor Output	10 mV/°K (2.73V = 0°C)
Current Monitor Output	0 to 1mA (1 mA = 100% Io rated)
Over Voltage	
Protection Adjust	110 to 150% Vo linear programming by voltage or resistor

Notes

Nominal values apply with sense pins connected and other control pins unconnected.

Specifications subject to change without notice.

AMERICAS

5810 Van Allen Way
 Carlsbad, CA 92008
 Telephone: 760-930-4600
 Facsimile: 760-930-0698

EUROPE

Astec House, Waterfront Business Park
 Merry Hill, Dudley
 West Midlands, DY5 1LX, UK
 Telephone: 44 (1384) 842-211
 Facsimile: 44 (1384) 843-355

ASIA

Units 2111-2116, Level 21
 Tower1, Metroplaza
 223, Hing Fong Road
 Fwai Fong, New Territories
 Hong Kong
 Telephone: 852-2437-9662
 Facsimile: 852-2402-4426



AM80A

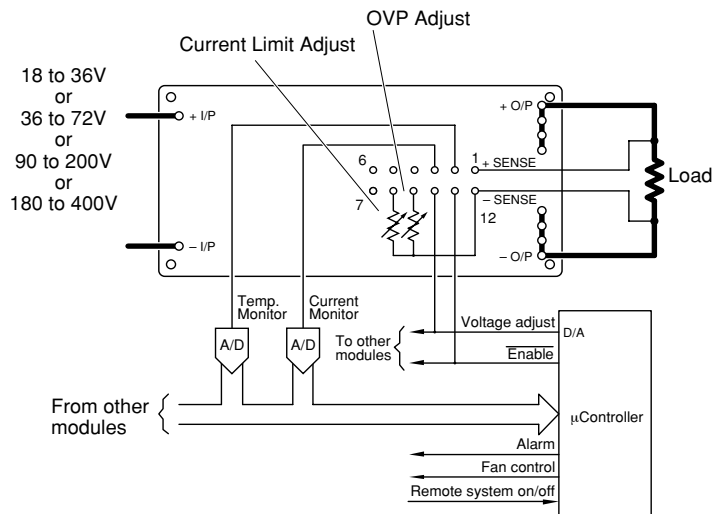
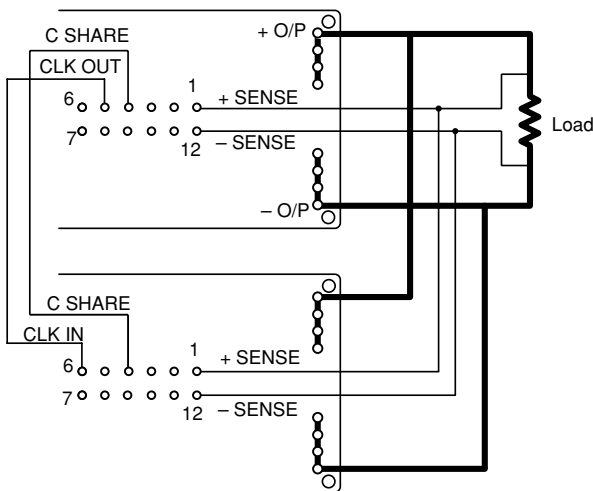
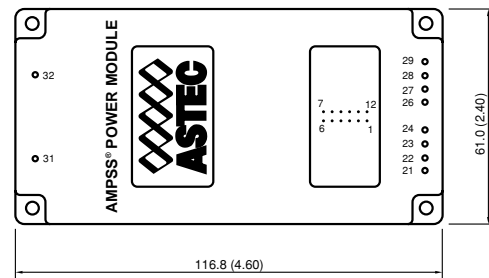
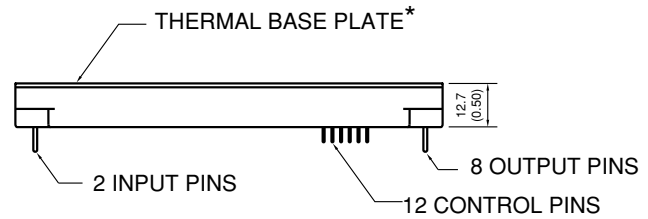
Ordering Information

Input Voltage	Output Voltage	Output Current	Model Number	Input Voltage	Output Voltage	Output Current	Model Number
300V	2.2V	60A	AM80A-300L-022F60	150V	6.5V	33A	AM80A-150L-065F33
300V	3.3V	50A	AM80A-300L-033F50	48V	1.2V	60A	AM80A-048L-012F60
300V	5V	40A	AM80A-300L-050F40	48V	2.2V	60A	AM80A-048L-022F60
300V	6.5V	33A	AM80A-300L-065F33	48V	3.3V	50A	AM80A-048L-033F50
300V	12V	18A	AM80A-300L-120F18	48V	5V	40A	AM80A-048L-050F40
300V	15V	16A	AM80A-300L-150F16	48V	12V	18A	AM80A-048L-120F18
300V	24V	10A	AM80A-300L-240F10	48V	15V	16A	AM80A-048L-150F16
300V	28V	9A	AM80A-300L-280F09	48V	24V	10A	AM80A-048L-240F10
320V	28V	9A	AM80A-320L-280F09**	24V	6.5V	27A	AM80A-024L-065F27

Please contact Astec for information on other output voltages, power ranges and configurations.

Pin Assignments

Input	Output	Control Pins
31. +ve	21.	1. +SENSE
32. -ve	22.	2. TEMP MON
	23.	3. C MON
	24.	4. C SHARE
	26.	5. CLK OUT
	27.	6. CLK IN
	28.	7. PG/ID
	29.	8. C LIM ADJ
		9. OVP ADJ
		10. V ADJ
		11. ENABLE
		12. -SENSE



Astec Integrated Power