

NPN SILICON RF POWER TRANSISTOR

DESCRIPTION:

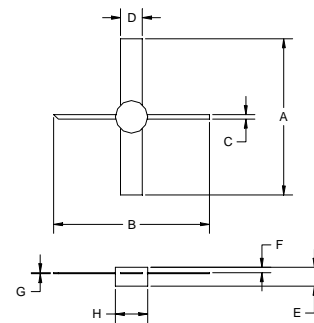
The **ASI MRF627** is Designed for Class C, FM Land Mobile and FM Base Applications up to 470 MHz.

FEATURES:

- Common Emitter
- $P_G = 13$ dB at 0.5 W/470 MHz
- **Omnigold™** Metalization System

MAXIMUM RATINGS

I_C	0.4 A
V_{CBO}	28 V
V_{CEO}	12 V
V_{EBO}	4.0 V
P_{DISS}	2.5 W @ $T_C = 25$ °C
T_J	-65 °C to +200 °C
T_{STG}	-65 °C to +150 °C
θ_{JC}	70 °C/W

PACKAGE STYLE .205 4L PILL


DIM	MINIMUM inches / mm	MAXIMUM inches / mm
A	.976 / 24.800	1.00 / 25.400
B	.976 / 24.800	1.00 / 25.400
C	.028 / 0.700	.031 / 0.800
D	.138 / 3.500	
E	.106 / 2.700	.139 / 3.400
F	.039 / 1.000	.047 / 1.200
G	.004 / 0.100	.006 / 0.150
H	.200 / 5.100	.208 / 5.300

CHARACTERISTICS $T_C = 25$ °C

SYMBOL	TEST CONDITIONS	MINIMUM	TYPICAL	MAXIMUM	UNITS
BV_{CEO}	$I_C = 25$ mA	12			V
BV_{CES}	$I_C = 10$ mA	28			V
BV_{EBO}	$I_E = 5.0$ mA	4.0			V
h_{FE}	$V_{CE} = 5.0$ V $I_C = 150$ mA	20		---	---
C_{ob}	$V_{CB} = 12.5$ V $f = 1.0$ MHz			4.0	pF
P_G η_c	$V_{CC} = 12.5$ V $P_{OUT} = 0.5$ W $f = 470$ MHz	13	60		dB %