



W82C476

W82C478

Graphics Color Palette

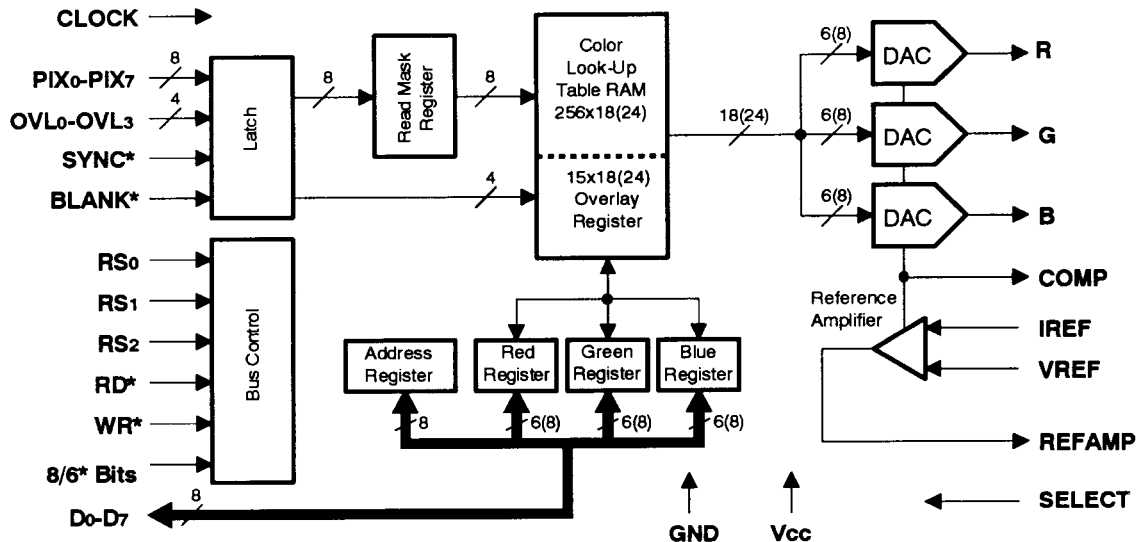
■ DISTINCTIVE CHARACTERISTICS

- ◆ Functionally compatible with Bt476 and Bt478
- ◆ Fast settling time and low glitch outputs for visually clean displays
- ◆ Fast 0-wait state microprocessor (MPU) interface
- ◆ Glitchless "SNOW FREE" access to palette by MPU
- ◆ Triple 6-bit (8-bit) DAC display outputs
- ◆ 256x18(24) Palette displays 256 colors of 256K(16M)
- ◆ 66 MHz, 80 MHz and 100 MHz versions available

■ TARGET APPLICATIONS

- ☞ VGA, SuperVGA, PS/2[®], 8514/a[®] and Macintosh[®] compatible video display adapters with resolutions up to and above 1024x768 pixels non-interlaced.
- ☞ Low and Medium-end Personal Computers, Graphics Workstations, and XWindows terminals.

■ BLOCK DIAGRAM



■ GENERAL DESCRIPTION

The W82C476/478 CMOS Color Palettes are generally used in VGA, SuperVGA, and 8514/a-compatible display adapter products. With the high-speed versions available from Winbond, monitor resolutions up to 1024x768 and above may be supported, with interlaced and non-interlaced refresh rates. EGA, CGA and other Personal Computer display modes may also be supported with the W82C476/478 using the palette or overlay features.

The W82C476 has triple 6-bit video DAC outputs, while the W82C478 has selectable 6- or 8-bit DAC outputs for higher color resolving capability. With the 256x18(24) look-up-table RAM on the W82C476(478), Windowing software and display adapters may display 256 simultaneous colors from a selection of 262,143(16.8M) colors. The overlay registers, 15x18(24) may be used for cursor, text overlay, or sprite support, and provide an additional 15 simultaneous colors.

W82C476
W82C478
Graphics Color Palette

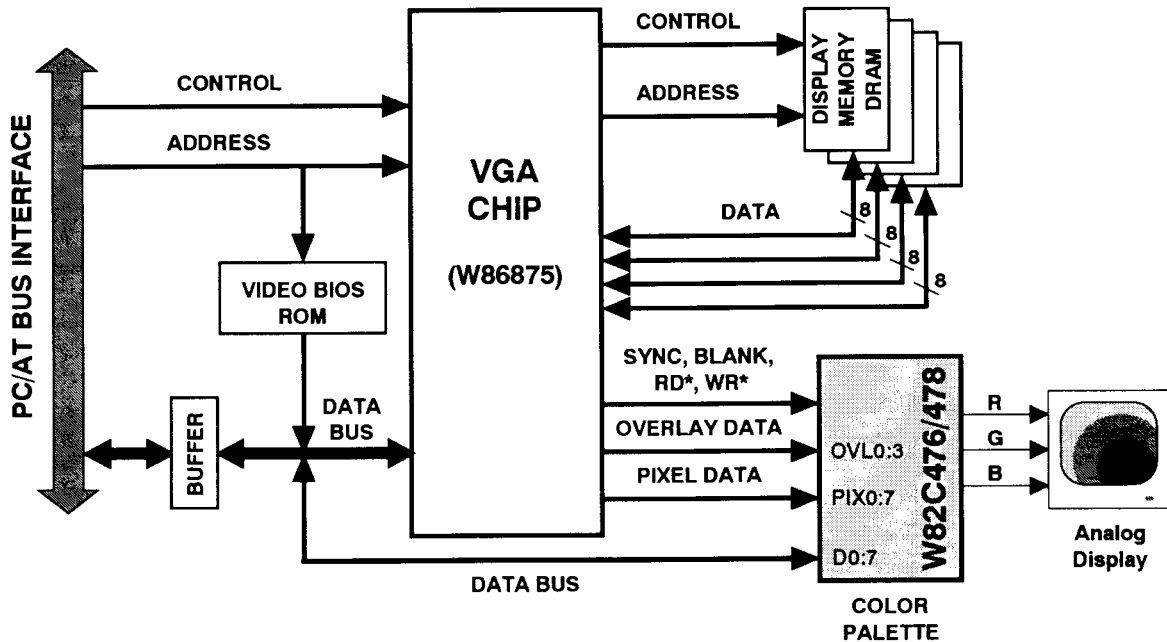


■ **GENERAL DESCRIPTION (CONTINUED)**

Available in versions with pixel rates as high as 80 and 100MHz, the W82C476/478 incorporates special proprietary circuitry to minimize output glitch energy, to minimize the DAC output settling time, and to reduce output-to-output skew. The result is a visually "crisper" and "cleaner" display on the monitor, especially at high pixel rates.

A fast microprocessor interface on the W82C476/478 allows for zero-Wait State interfacing to '386 and '486 microprocessors; this minimizes the interface circuitry, and speeds up accessing to the color palettes during palette updates. A unique "SNOW FREE" feature minimizes corruption of the DAC outputs during simultaneous access to the palette RAM by the microprocessor and display hardware during screen refresh. Without this feature, a normal color palette would display "snow" or "hash" on the monitor during palette updates.

The W82C476 and W82C478 outputs may drive video monitors **without external buffers**, and the outputs are compatible with RS343A (into a doubly-terminated 75Ω load), and RS170 (into a singly-terminated 75Ω load). The W82C476 and W82C478 have programmable pedestals (0 or 7.5 IRE), and can operate with external current or voltage references.



■ **FIGURE 1. EXAMPLE SYSTEM APPLICATION DIAGRAM**

■ FUNCTIONAL DESCRIPTION

The W82C476/478 Color Palettes provide for the easy implementation of the color-mapping and analog circuitry required in Personal Computer (PC) and Workstation designs, with screen resolutions as high as 1024x768 pixels or greater. **FIGURE 1** shows an example PC display subsystem using the W82C476/478.

The look-up-table RAM translates the 8-bit pixel data from the video frame buffer into three programmable color values for the Red, Green, and Blue DAC outputs. These RS343A/RS170-compatible outputs are used to drive the RGB signals to the monitor.

The functionality of the W82C476/478 may be divided into three sections: the **MICROPROCESSOR INTERFACE**, **DISPLAY MEMORY INTERFACE**, and the **VIDEO INTERFACE**.

■ MICROPROCESSOR INTERFACE

The W82C476/478 has a general-purpose microprocessor bus interface which can easily connect to 8-, 16-, or 32-bit microprocessors through the 8-bit data bus and control signals. The microprocessor interface is used to read and write to the 256 color **Look-Up-Table (LUT)** RAM locations, the 15 **Overlay Registers (OLR)**, the pixel Mask Register, and the Address Register. With the incorporation of a proprietary fast bus interface and special on-board logic, a microprocessor may access the W82C476/478 in a **single cycle** at up to 20MHz (50ns per read/write cycle). This fast bus operation allows for zero-wait-state interfacing to fast microprocessors, especially when placing the W82C476/478 directly on the CPU motherboard.

Read/Write access to the microprocessor interface of the W82C476/478 may be totally asynchronous to the pixel clock. Read and Write operations to the LUT RAM or overlay registers do not need to be synchronized to the pixel clock, and these operations complete in a cycle. Because of on-board proprietary arbitration logic, the W82C476/478 has "**SNOW FREE**" operation during microprocessor access: since both the microprocessor and normal operation of the display refresh may try to access the LUT RAM at the same time, the W82C476/478 internally arbitrates these accesses, and stabilizes the DAC outputs during microprocessor accesses, resulting in a cleaner, noise-free display during LUT updates. "**SNOW FREE**" Operation is explained in a later section ("**VIDEO INTERFACE**").

The microprocessor interface operation is controlled by the RS_0 - RS_2 control inputs, and the RD^* , WR^* Read/Write control inputs. The RD^* signal serves as the control signal for Read operations, and the WR^* signal controls Write operations. For either Read or Write cases, the falling edge of RD^* or WR^* begins the operations. To Read or Write to a register on the W82C476/478, only one RD^* or WR^* cycle is required, with no wait cycles required between subsequent accesses.

To read or write to the LUT RAM or OLR at a specific location, the Address Register must be loaded (written to) first as an address pointer, and then the data is read from or written to the LUT or OLR location. Operation of the Address Register and its contents is described below, and in **TABLE 3**.

The RS_0 - RS_2 inputs are sampled at the beginning of a Read or Write cycle, and these signals determine the destination of the operation to be performed, as shown in **TABLE 1**.

RS ₂	RS ₁	RS ₀	OPERATION
0	0	0	Address Pointer Register, LUT* RAM Write-Mode
0	1	1	Address Pointer Register, LUT RAM Read-Mode
0	0	1	Color Palette RAM LUT
0	1	0	Pixel Read Mask Register
1	0	0	Address Pointer Register, Overlay Write-Mode
1	1	1	Address Pointer Register, Overlay Read-Mode
1	0	1	Overlay Registers
1	1	0	Reserved

Note: LUT: "Look-Up-Table RAM"

■ TABLE 1. RS₀-RS₂ DECODING

READING COLOR LUT OR OLR DATA

In order to begin reading from any location of the 256-entry LUT RAM or Overlay Registers, an 8-bit address pointer for the desired location must first be loaded into the Address Register. This is performed by setting the RS₀-RS₂ inputs to the proper value indicated in **TABLE 1** to select the appropriate Address Register mode (Overlay Read-Mode or LUT Address Register Read-Mode). Next, the microprocessor reads three consecutive times (each time selecting the RS₀-RS₂ values to select the Color Palette RAM LUT or Overlay Registers): once each for reading the Red, Green, and Blue values in the LUT or Overlay Register location.

When the third and final Read cycle is completed, the selected Address Register is auto-incremented to point to the next location in the LUT RAM (or Overlay Register). The microprocessor may then read from this **next** location by performing three consecutive reads for Red, Green, and Blue, or may set a new Address location through the proper Address register, repeating the process above. **TABLE 2** shows the detailed operation of the various control signals during Read/Write accesses.

WRITING COLOR LUT OR OLR DATA

Writing to any location of the 256-entry LUT RAM or Overlay Registers begins by first loading an 8-bit address pointer for the desired destination location into the proper Address Register. This is performed by setting the RS₀-RS₂ inputs to the proper value indicated in **TABLE 1** to select the appropriate Address Register mode (Overlay Write-Mode or LUT Address Register Write-Mode). The microprocessor then writes three consecutive times (each time selecting the RS₀-RS₂ values to select the Color Palette RAM LUT or Overlay Registers): once each for writing the Red, Green, and Blue values in the LUT or Overlay Register location.

When the third and final Write cycle is completed, the Red, Green, and Blue values are internally concatenated into an 18-bit word (24-bit on the W82C478), and stored into the appropriate LUT or Overlay Register location. The selected Address Register is then auto-incremented to point to the next location in the LUT RAM (or Overlay Register). The microprocessor may then write to this **next** location by again performing three consecutive writes for Red, Green and Blue, or may set a new Address location through the proper Address register, repeating the process above. **TABLE 2** shows the operation of the various control signals during Read/Write accesses.

RD*	WR*	RS ₂	RS ₁	RS ₀	AR _{A,B}	FUNCTION	OPERATION
LOOK-UP-TABLE							
WRITE SEQUENCE:							
1		0	0	0	XX	① Write Address Register	D(7:0) → AR(7:0); 0 → AR _{A,B}
1		0	0	1	00	② Write Red value	D(7:0) → Red_reg(7:0); INC(AR _{A,B})
1		0	0	1	01	③ Write Green value	D(7:0) → Green_reg(7:0); INC(AR _{A,B})
1		0	0	1	10	④ Write Blue value	D(7:0) → Blue_reg(7:0); 0 → AR _{A,B}
Write Color LUT							
* (Internal operation)							
OVERLAY REGISTER							
WRITE SEQUENCE:							
1		1	0	0	XX	① Write Address Register	D(7:0) → AR(7:0); 0 → AR _{A,B}
1		1	0	1	00	② Write Red value	D(7:0) → Red_reg(7:0); INC(AR _{A,B})
1		1	0	1	01	③ Write Green value	D(7:0) → Green_reg(7:0); INC(AR _{A,B})
1		1	0	1	10	④ Write Blue value	D(7:0) → Blue_reg(7:0); 0 → AR _{A,B}
Write Overlay							
* (Internal operation)							
LOOK-UP-TABLE							
READ SEQUENCE:							
1		0	1	1	XX	① Read Address Register	D(7:0) → AR(7:0); 0 → AR _{A,B}
		1	0	0	00	② Read Red value	Red_reg(7:0) → D(7:0); INC(AR _{A,B})
		1	0	0	01	③ Read Green value	Green_reg(7:0) → D(7:0); INC(AR _{A,B})
		1	0	0	10	④ Read Blue value	Blue_reg(7:0) → D(7:0); 0 → AR _{A,B} ; INC(AR(7:0))
OVERLAY REGISTER							
READ SEQUENCE:							
1		1	1	1	XX	① Read Address Register	D(7:0) → AR(7:0); 0 → AR _{A,B}
		1	1	0	00	② Read Red value	Red_reg(7:0) → D(7:0); INC(AR _{A,B})
		1	1	0	01	③ Read Green value	Green_reg(7:0) → D(7:0); INC(AR _{A,B})
		1	1	0	10	④ Read Blue value	Blue_reg(7:0) → D(7:0); 0 → AR _{A,B} ; INC(AR(7:0))

Note: AR_{A,B} refers to internal register pointers to the Red, Green, and Blue color values at a LUT or OLR location. Please refer to timing diagrams for edge and timing information on RD* and WR*. The internal concatenation of the three 6(8)-bit values, R(7:0), G(7:0), B(7:0) refers to the 18(24-bit) word pointed to by the address register (AR).

■ TABLE 2. W82C476/478 READ/WRITE ACCESS

ADDITIONAL MICROPROCESSOR INTERFACE INFORMATION

For read/write operations to the W82C476 RAM LUT and Overlay Registers, and Mask Registers, the 6-bit color data from the microprocessor is contained in the six LSB's (D₅-D₀) of the data bus. On the W82C478, when the 8/6* pin is set LOW (for 6-bit operation), the data also occupies the 6 LSB positions of the data bus. Bits D₆ and D₇ are ignored during write cycles in these two 6-bit cases, and are set to 0 during a read cycle.

As discussed above, the W82C476/478 uses an Address Register to address the LUT and Overlay Register locations. **Table 3** shows detailed operation of the Address Register bits; during access to the Overlay Registers, only the lower four bits of the Address Register are used. In order to track the three consecutive Red, Green, and Blue Read/Write cycles required for a LUT or Overlay Register Read/Write operation, an internal modulo-3 address counter (AR_{A,B}) auto-increments after each read/write access to the LUT or Overlay Register. This internal counter is internally

W82C476
W82C478
Graphics Color Palette



decoded to point to the proper Red, Green, or Blue value when reading and writing, and is reset to zero (pointing to the Red value) after a write to the Address Register.

Following a full read/write sequence to LUT location \$FF (after the Blue value read/write), the Address Register is auto-incremented and set to \$00. When accessing the Overlay Register (OLR) location \$F, the Address Register is auto-incremented, logically wrapping around to \$0.

AR(7:0) CONTENTS	RS ₂	RS ₁	RS ₀	FUNCTION
\$00..\$FF	0	0	1	Color LUT locations \$00..\$FF AR _{a,b} = 00 → Red value AR _{a,b} = 01 → Green value AR _{a,b} = 10 → Blue value
XXXX0000b	1	0	1	Reserved
XXXX0001b	1	0	1	Overlay Register 1
XXXX0010b	1	0	1	Overlay Register 2
XXXX0011b	1	0	1	Overlay Register 3
•	•	•	•	•
•	•	•	•	•
XXXX1111b	1	0	1	Overlay Register 15

■ TABLE 3. ADDRESS REGISTER VALUES

■ DISPLAY MEMORY INTERFACE

In a typical system configuration (see FIGURE 1), the color palette is located in the path from the pixel display memory to the display monitor. On the W82C476/478, the pixel color inputs from the video display memory, PIX₀-PIX₇, and OVL₀-OVL₃, are used as addresses to the 256 locations of the Look-Up-Table RAM and the 15 Overlay Registers, respectively. These inputs are sampled on the rising edge of the pixel CLK input and are used by the color palette look-up tables to select a pixel color.

With the W82C476/478, the microprocessor has a method to rapidly alter the appearance of one or more colors on the display by using the pixel masking scheme. With a single write access to load the 8-bit Pixel Read Mask Register, the microprocessor can store a color masking value. With this value, the address to the LUT RAM is modified for each pixel: the PIX₀-PIX₇ inputs are logically ANDed with the contents of this register, and the resulting modified address is used to address the LUT RAM.

When the OVL₀-OVL₃ inputs are set to 0000b, the PIX₀-PIX₇ inputs (after any modification by the Pixel Read Mask Register) are used to address the LUT RAM, whose contents drive the video DACs. If a non-zero value is given for the OVL₀-OVL₃ inputs, the DACs are driven by the contents of the addressed Overlay Registers. TABLE 4 illustrates this operation. In this manner, using the OVL₀-OVL₃ inputs, a display system can easily implement cursors, overlay text, grids, and other overlays.

OVL ₀ -OVL ₃	PIX ₀ -PIX ₇	COLOR SOURCE LOCATION SELECTED FOR OUTPUT TO DACS
\$0	\$00	Color LUT RAM Location \$00
\$0	\$01	Color LUT RAM Location \$01
•	•	•
•	•	•
\$0	\$FF	Color LUT RAM Location \$FF
\$1	\$XX	Overlay Register Location 1
•	•	•
•	•	•
\$F	\$XX	Overlay Register Location 15

■ **TABLE 4. PIXEL AND OVERLAY INPUT FUNCTIONS**

The total pipeline delay times from the digital Display inputs (PIX₀-PIX₇, OVL₀-OVL₃, SYNC*, and BLANK*) to the analog video outputs (R, G, B) is four pixel CLK clock cycles.

■ VIDEO INTERFACE

For each cycle of the pixel clock (CLK), using the modified address formed from the PIX₀-PIX₇ and OVL₀-OVL₃ pixel inputs, a 24-bit word is read from either the LUT RAM or the Overlay Registers (an 18-bit word is read for the W82C476, or the W82C478 when the 8/6* input is LOW). This word value is split into three 8-bit (or 6-bit) values and converted by the three DACs into RS343A analog format.

Note that on the W82C478, when operating in 6-bit mode (8/6* set to LOW), the full-scale output current will be about 1.5% lower than when in 8-bit mode with the same R_{set} value. This is due to the loss of 2 LSB's, which are set to 0 in the 8-bit DAC outputs in 6-bit mode. One way to compensate for this is to alter the R_{set} value, or adjust the voltage reference value to adjust the full-scale output.

The SYNC* and BLANK* inputs are sampled on the rising edge of CLK, and condition the RGB analog output as shown in **TABLE 5** by adding weighted currents to the outputs as shown in **FIGURE 2** and **FIGURE 3**. The SYNC* and BLANK* signals are internally delayed by four pixel CLK periods, to compensate for the pipeline delay of the video stream, before conditioning the DAC outputs.

The SELECT input specifies the blanking pedestal to be used by the RGB outputs. For SELECT = logical ZERO, the blanking pedestal is 0.0 IRE; for SELECT = logical ONE, the blanking pedestal is 7.5 IRE. The W82C476/478 outputs are designed to individually drive doubly-terminated 75Ω coaxial cables to the video display monitor, with AC coupling.

■ SNOW FREE FEATURE OPERATION

When the microprocessor reads or writes to the color Look-Up-Tables or Overlay Registers during non-blanking periods, there may be a conflict with the simultaneous access of the LUT/OLR contents through the normal operation of the PIX₀-PIX₇/OVL₀-OVL₃ inputs. In other RAMDAC™ devices, this conflict can cause "hash" or "noise" to display on the screen. On the W82C476/478, a "SNOW FREE" feature stabilizes the DAC outputs during the microprocessor access to eliminate this visual noise. Specifically, the output of the DAC remains the same value as the last pixel value before the read/write operation began. This value remains on the output until the next pixel CLK after the Read/Write operation is completed.

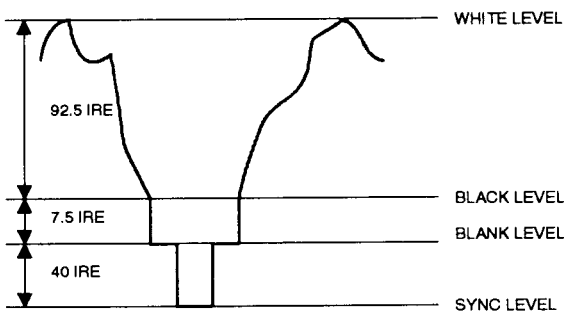
W82C476

W82C478

Graphics Color Palette

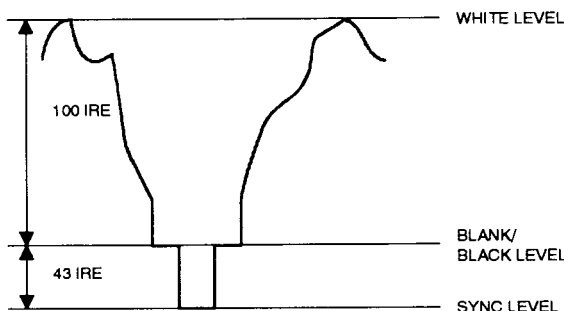


W82C478 WITHOUT SYNC		W82C478 WITH SYNC	
mA	V	mA	V
19.05	0.714	26.67	1.000
1.44	0.054	9.05	0.340
0.000	0.000	7.62	0.286
		0.000	0.000



■ FIGURE 2. COMPOSITE VIDEO OUTPUT SIGNALS (SELECT = V_{CC})

W82C476 OR C478 WITHOUT SYNC		W82C478 WITH SYNC	
mA	V	mA	V
17.62	0.660	25.24	0.950
0.000	0.000	7.62	0.286
0.000	0.000	0.000	0.000



■ FIGURE 3. COMPOSITE VIDEO OUTPUT SIGNALS (SELECT = GND)

DESCRIPTION	SYNC*	BLANK*	DAC INPUT	SELECT = V_{CC}	SELECT = GND	
				I_{OUT} (mA)	I_{OUT} (mA) W82C476	I_{OUT} (mA) W82C478
WHITE	1	1	\$FF	26.67	17.62	25.24
DATA	1	1	\$.FE.\$01	data + 9.05	data	data + 7.62
DATA-SYNC	0	1	\$.FE.\$01	data + 1.44	data	data
BLACK	1	1	\$00	9.05	0	7.62
BLANK	1	0	\$.XX	7.62	0	7.62
BLACK-SYNC	0	1	\$00	1.44	0	0
SYNC	0	0	\$.XX	0	0	0

Note: Typical full scale Green output (G) = 26.67mA. External voltage or current reference and R_{set} adjusted for 26.7mA full scale output. Typical $V_{REF} = 1.235V$, $R_{SET} = 147\Omega$. 75 Ω doubly-terminated load. Note that full-scale output may vary up to 1.5% lower on the W82C476 and W82C478 in 6-bit mode, due to not implementing 2LSB's (see VIDEO INTERFACE for details).

■ TABLE 5. COMPOSITE VIDEO OUTPUT TRUTH TABLE

■ PIN DESCRIPTION (SORTED BY FUNCTION)**■ MICROPROCESSOR INTERFACE SECTION****D₀-D₇ Data and address bus (TTL Compatible Bi-directional)**

The 8-bit data bus used to read and load the internal control registers, Color Look-up Table, and Overlay Registers. Bit D₀ is the LSB.

RD* Read Control Input (TTL Compatible Input)

An active low on the RD* input initiates a read of the data from the color LUT or registers. RS₀-RS₂ are sampled and latched on the falling edge of RD*.

WR* Write Control Input (TTL Compatible Input)

An active low on the WR* input initiates a write of the data from the data bus to the color LUT or registers. RS₀-RS₂ are sampled and latched on the falling edge of WR*, and D₀-D₇ are sampled on the rising edge of WR*.

RS₀-RS₂ Register Select Inputs (TTL Compatible Inputs)

RS₀-RS₂ select the destination (Color LUT or any internal register) during a read or write cycle by the microprocessor. The value of RS₀-RS₂ determines the action performed by the read or write, as indicated in Tables 1, and 3.

8/6* 8-bit/6-bit Select Input (TTL Compatible Input, Internal Pull-up Resistor)

For the W82C478, the 8/6* pin controls whether 8-bits (logical ONE) or 6-bits (logical ZERO) from the data bus are used during microprocessor read and write cycles to the color LUT or Overlay Registers. In 8-bit operation, D₇ is the MSB, while in 6-bit operation, D₅ is the MSB. D₆ and D₇ are set to 00b in a 6-bit read cycle, and are ignored during a 6-bit write cycle. This pin should be connected to GND on the W82C476.

■ TIMING SECTION**CLK Pixel Clock (TTL Compatible Input)**

The pixel clock of the system. The rising edge of CLK latches the SYNC*, BLANK*, PIX₀-PIX₇, and OVL₀-OVL₃ inputs. The CLK input should be driven by a dedicated TTL buffer for maximum noise immunity and stability.

BLANK* Video Composite Blank (TTL Compatible Input)

When active, the BLANK* input forces the R, G, B video outputs to the appropriate blanking levels, overriding the pixel (PIX₀-PIX₇) and Overlay (OVL₀-OVL₃) inputs, per TABLE 5. Video monitors require blanking during horizontal and vertical retrace. Blank* is sampled and latched on the rising edge of CLK.

SYNC* Video Sync (TTL Compatible Input)

When active, the SYNC* input forces the R, G, and B video output current sources off, to provide SYNC pulses to the video monitor, per TABLE 5. SYNC* should only be asserted during the blanking interval, since SYNC* does not override any other input or control pin. This pin should be tied to an inactive level (logical ONE) if generation of SYNC information is not needed on the analog outputs.

■ **DISPLAY MEMORY INTERFACE SECTION**

PIX₀-PIX₇ Pixel Color Data (TTL Compatible Input)

The 8 PIX₀-PIX₇ inputs are used as addresses to select the pixel color information from one of 256 locations in the Color Palette look-up-table (LUT) RAM. The PIX₀-PIX₇ values are latched on each rising edge of the pixel CLK. PIX₀ is the LSB. All unused PIX₀-PIX₇ inputs should be grounded.

OVL₀-OVL₃ Overlay Data (TTL Compatible Input)

The four OVL₀-OVL₃ inputs are used to determine the overlay function, and to select which Overlay Register is used in providing the color output information, as indicated in TABLE 4. When the overlay palette is used (by activating the OVL₀-OVL₃ inputs), the pixel inputs, PIX₀-PIX₇ are ignored, and the Overlay Registers are used to drive the DACs through the OLR values. The LSB is OVL₀. The OVL₀-OVL₃ inputs are latched on the rising edge of each pixel CLK cycle. Any unused OVL₀-OVL₃ inputs should be grounded.

■ **VIDEO OUTPUT SECTION**

R, G, B Red, Green, Blue individual video outputs (Analog outputs)
(Three Signals)

The three pins, R, G, B are for the three analog outputs of the three video DACs, each capable of driving a doubly-terminated 75Ω RS343A cable, or a singly-terminated 75Ω RS170 cable. All outputs have video synch outputs, and are stabilized for glitchless operation during microprocessor access to the internal registers and color palette RAM.

I_{REF} Current Reference, Full Scale Adjust Control (Analog Input)

The W82C476/478 references for the DACs may be implemented in one of two ways, depending on the connections to this pin: **VOLTAGE REFERENCE** mode, or **CURRENT REFERENCE** mode.

■ **EXTERNAL VOLTAGE REFERENCE MODE:**

A resistor, R_{set} should be connected from this pin to GND when an external voltage reference is used. The R_{set} resistor controls the magnitude of the full scale video signal according to the following formula:

$$R_{set(\Omega)} = K * 1,000 * V_{REF(Volts)} / I_{OUT(mA)}$$

The table below defines the K and recommended R_{set} values for doubly-terminated 75Ω loads:

	MODE	PEDESTAL	K
W82C478	6-bit	7.5 IRE	3.170
	8-bit	7.5 IRE	3.195
	6-bit	0 IRE	3.000
	8-bit	0 IRE	3.025
W82C476	(6-bit)	0 IRE	2.100

■ EXTERNAL CURRENT REFERENCE MODE:

If an external current reference is used, the output current (I_{OUT}) on each R, G, B video output is determined by the relationship:

$$I_{REF(mA)} = I_{OUT(mA)} / K$$

V_{REF} Voltage Reference (Analog Input)

When using the W82C476/478 with an external voltage reference, a stable 1.235V (typical) reference voltage should be supplied on this pin as a reference for the video DACs. A 0.1 μ F decoupling capacitor should always be connected between the V_{REF} pin and V_{CC}, with short leads and in close proximity to the device pins. If the W82C476/478 is used with an external current reference, this pin should be left floating, except for the bypass capacitor.

REFAMP Reference Amplifier Output (Analog Output)

When using an **external voltage reference**, this pin should be connected to the COMP pin. The REFAMP pin should be left floating if an **external current reference** is used.

COMP Compensation capacitor pin (Analog Input)

A 0.1 μ F ceramic capacitor should be connected between this pin and V_{CC}. When an external **voltage reference** is used, this pin should be connected to the REFAMP pin. When using an external **current reference**, this pin should be connected to I_{REF}.

SELECT Select control pin (TTL compatible input)

The SELECT pin selects a blanking pedestal of either 0 IRE (SELECT = GND), or 7.5 IRE (SELECT = V_{CC}).

■ POWER SUPPLY SECTION**V_{CC} Analog +5 Volt power supply**

All V_{CC} pins should be connected to +5V.

GND Analog Ground voltage supply

All GND pins should be connected to Ground.

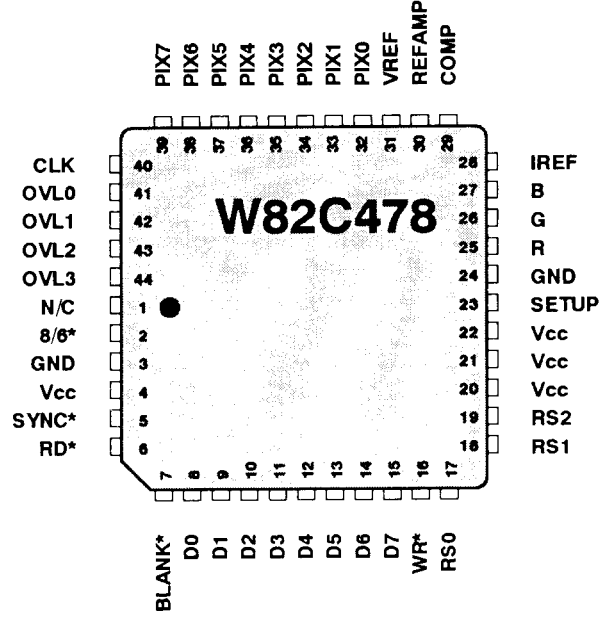
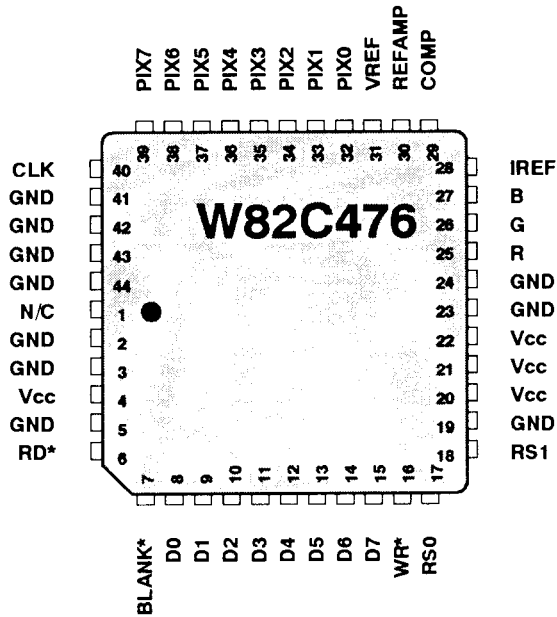
W82C476

W82C478

Graphics Color Palette

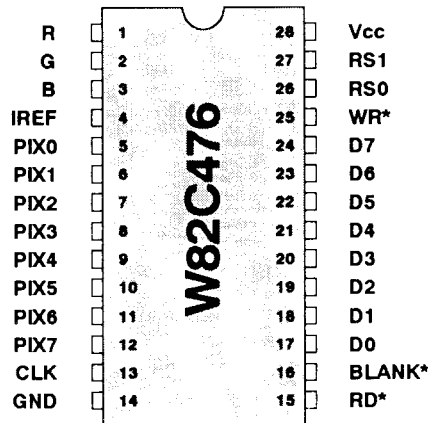


PACKAGE DIAGRAMS



NOTE: Pin 1 is marked for orientation.
N/C pins may be left unconnected without affecting operation of the W82C476/478.

44-PIN J-LEAD PLASTIC (PLCC) TOP VIEW



28-PIN DIP (PDIP)

■ ABSOLUTE MAXIMUM RATINGS

Storage Temperature	-65 to +150°C
Ambient Operating Temperature	-55 to +125°C
Junction Temperature	+150°C
Supply Voltage Measured to Ground	-0.5 to +7.0V
Voltage on any I/O pin	GND-0.5V to $V_{CC}+0.5V$
Analog Output Short Circuit to V_{CC} or GND Duration	Indefinite
Soldering Temperature (5 sec, 1/4" from pin)	260°C
Vapor Phase Soldering (1 minute)	220°C

Stresses above those listed in **ABSOLUTE MAXIMUM RATINGS** may cause permanent device damage. Functionality at or above these specification limits is not implied. Exposure to absolute maximum ratings for prolonged periods may affect device reliability.

■ RECOMMENDED OPERATING RANGE

Ambient Operating Temperature (T_A)	0 to +70°C
Supply Voltage (V_{CC})	
For 66, 80, 100MHz devices	+4.75 to +5.25V
For 35, 50MHz devices	+4.5 to +5.5V
Reference Voltage (V_{REF})	
(Voltage Reference Configuration)	+1.14 to 1.26V
Current Reference (I_{REF})	
(Current Reference Configuration)	-3 to -10mA
Standard RS343A typical	-8.39mA
PS/2 Compatible typical	-8.88mA
Output Load	37.5Ω

Recommended Operating Ranges defines the limits between which the functionality of the device is guaranteed

■ DC CHARACTERISTICS OVER OPERATING RANGE

PARAMETER SYMBOL	PARAMETER DESCRIPTION	TEST CONDITIONS	MIN	TYP	MAX	UNIT
------------------	-----------------------	-----------------	-----	-----	-----	------

DIGITAL INPUTS

V_{IH}	Input High Voltage		2.0		$V_{CC}+0.5$	V
V_{IL}	Input Low Voltage		GND-0.5		0.8	V
I_{IH}	Input High Current	$V_{in} = 2.4V$			1	μA
I_{IL}	Input Low Current	$V_{in} = 0.4V$			-1	μA
C_{IN}	Input Capacitance	$f=1MHz; V_{in} = 2.4V$			7	pF

DIGITAL OUTPUTS

V_{OH}	Output High Voltage	$I_{OH} = -400\mu A$	2.4			V
V_{OL}	Output Low Voltage	$I_{OL} = 3.2mA$			0.4	V
I_{OZ}	3-State Output				50	μA
C_{OUT}	Output Capacitance				7	pF

W82C476

W82C478

Graphics Color Palette



■ DC CHARACTERISTICS OVER OPERATING RANGE (CONTINUED)

PARAMETER SYMBOL	PARAMETER DESCRIPTION	TEST CONDITIONS	MIN	TYP	MAX	UNIT
ANALOG OUTPUTS						
Resolution:	Each DAC, W82C476(478)		6(8)	6(8)	6(8)	Bits
Accuracy, each DAC:						
LIN _i	Integral Linearity Error, W82C476(478)				±1/2 (1)	LSB
LIN _d	Differential Linearity Error				±1/2 (1)	LSB
	Gray Scale Error				±5	% Gray
	Monotonicity: Guaranteed					Binary
	Coding					
	LSB Size					
	W82C476			279.68		μA
	W82C478	8/6* = ONE		69.1		μA
	DAC-to-DAC Matching			2	5	%
V _{OC}	Output Compliance		-1.0		+1.5	V
I _{VREF}	Voltage Reference Input Current			10		μA
R _{out}	Output Impedance			10		KΩ
C _{out}	Output Capacitance	f=1MHz; I _{OUT} = 0mA			30	pF
PSSR	Power Supply Rejection	f=1KHz; COMP = 0.1μF			0.5	%/ΔV _{CC}

VIDEO OUTPUT LEVELS - RS343A COMPATIBILITY

Output Current						
White Level Relative to BLANK			17.69	19.05	20.40*	mA
White Level Relative to BLACK			16.74	17.62	18.50*	mA
Black Level Relative to BLANK:						
- W82C478	SELECT = 1		0.95	1.44	1.90	mA
	SELECT = 0		0	5	50	μA
- W82C476			0	0	0	μA
Blank Level:						
- W82C478			6.29	7.62	8.96	mA
- W82C476			0	5	50	μA
Sync Level (W82C478 only)			0	5	50	μA

*NOTE: **Test Conditions** to generate RS343A standard video signals (unless other wise specified): **RECOMMENDED OPERATING CONDITIONS** using external voltage reference with $R_{set} = 147\Omega$, $V_{REF} = 1.235V$, $SETUP = V_{CC}$. 8/6* = ONE. For 28-pin DIP version of W82C476, $I_{REF} = -8.39mA$. Since the above parameters are guaranteed over the full range, temperature coefficients are not specified or required.

Full-scale output levels in 6-bit DAC mode are approximately 1.5% lower than 8-bit full scale output level, due to 2 fewer LSB's (See **VIDEO INTERFACE** section).



W82C476

W82C478

Graphics Color Palette

■ AC SWITCHING CHARACTERISTICS

PARAM. #	SYMBOL NAME	PARAMETER DESCRIPTION	100 MHZ			80 MHZ			UNITS
			MIN	TYP	MAX	MIN	TYP	MAX	
	F_{max}	Clock Rate			100			80	MHz
1	t_S	RS ₀ -RS ₂ Setup Time	10			10			ns
2	t_H	RS ₀ -RS ₂ Hold Time	10			10			ns
3	t_p	RD* Asserted to Data Bus Driven	5			5			ns
4	t_p	RD* Asserted to Data Valid			40			40	ns
5	t_p	RD* Negated to Data Bus Tri-Stated			20			20	ns
(5)		Read Data Hold Time	5			5			ns
6	t_S	Write Data Setup Time	10			10			ns
7	t_H	Write Data Hold Time	10			10			ns
8	t_W	RD*, WR* Pulse Width Low	50			50			ns
9	t_W	RD*, WR* Pulse Width High	50			50			ns
10	t_S	Pixel and Overlay Setup Time	3			3			ns
11	t_H	Pixel and Overlay Hold Time	3			3			ns
12	t_{CYC}	Clock Cycle Time	10			12.5			ns
13	t_W	Clock Pulse Width High	3			4			ns
14	t_W	Clock Pulse Width Low	3			4			ns
15	t_p	Analog Output Delay			30			30	ns
16	t_R, t_F	Analog Output Rise/Fall Time (Note1)		3			3		ns
17	t_S	Analog Output Settling Time (Note1)		10			13		ns
		Clock and Data Feedthrough		-30			-30		dB
		Glitch Impulse (Note1)		75			75		pV-sec
		DAC to DAC Crosstalk		-23			-23		dB
		Analog Output Skew			2			2	ns
		Pipeline Delay	4	4	4	4	4	4	Clocks
	I_{CC}	V_{CC} Supply Current (Note3)		180	220		180	220	mA

Test Conditions: See next Page.

Notes: See Next Page

W82C476

W82C478

Graphics Color Palette



■ AC SWITCHING CHARACTERISTICS (CONTINUED)

PARAM. #	SYMBOL NAME	PARAMETER DESCRIPTION	66 MHZ			UNITS
			MIN	TYP	MAX	
	F _{max}	Clock Rate			66	MHz
1	t _S	RS ₀ -RS ₂ Setup Time	10			ns
2	t _H	RS ₀ -RS ₂ Hold Time	10			ns
3	t _p	RD* Asserted to Data Bus Driven	5			ns
4	t _p	RD* Asserted to Data Valid			40	ns
5	t _p	RD* Negated to Data Bus Tri-States			20	ns
(5)		Read Data Hold Time	5			ns
6	t _S	Write Data Setup Time	10			ns
7	t _H	Write Data Hold Time	10			ns
8	t _W	RD*, WR* Pulse Width Low	50			ns
9	t _W	RD*, WR* Pulse Width High	50			ns
10	t _S	Pixel and Overlay Setup Time	3			ns
11	t _H	Pixel and Overlay Hold Time	3			ns
12	t _{CYC}	Clock Cycle Time	15.15			ns
13	t _W	Clock Pulse Width High	5			ns
14	t _W	Clock Pulse Width Low	5			ns
15	t _p	Analog Output Delay			30	ns
16	t _R , t _F	Analog Output Rise/Fall Time (Note1)		3		ns
17	t _S	Analog Output Settling Time (Note1)		10		ns
		Clock and Data Feedthrough		-30		dB
		Glitch Impulse (Note1)		75		pV-sec
		DAC to DAC Crosstalk		-23		dB
		Analog Output Skew			2	ns
		Pipeline Delay	4	4	4	Clocks
	I _{CC}	V _{CC} Supply Current (Note3)		180	220	mA

Test Conditions:

RECOMMENDED OPERATING CONDITIONS unless otherwise specified.

External voltage reference.

R_{set} = 147Ω, V_{REF} = 1.235V, SELECT = V_{CC}, 8/6* = ONE.

(28PDIP W82C476: I_{REF} = -8.39mA)

TTL Input Level: 0 to 3V with t_R, t_F (10-90%) <= 3ns.

Analog Output Load <= 10pF, D₀-D₇ Output Load <= 50pF.

Notes:

1. Clock and Data Feedthrough are not included.

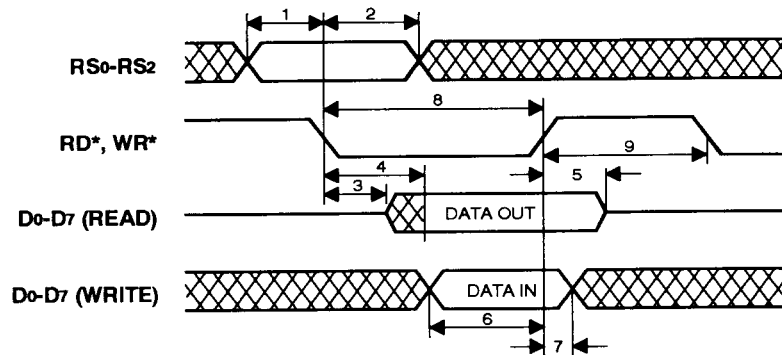
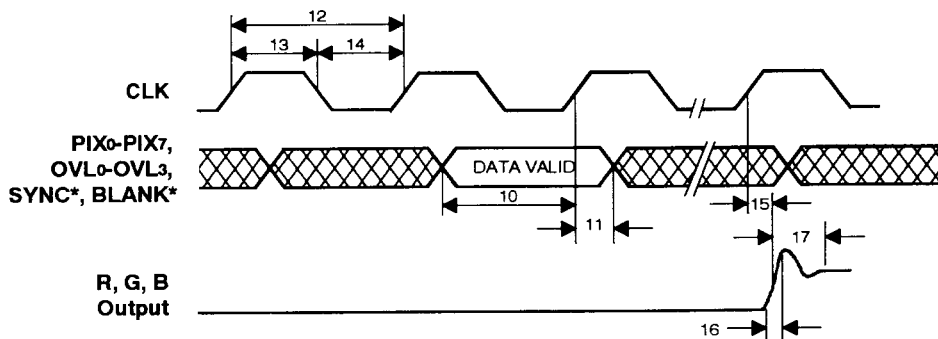
2. Included Clock and data Feedthrough.

-3dB bandwidth = 2x Clock Frequency.

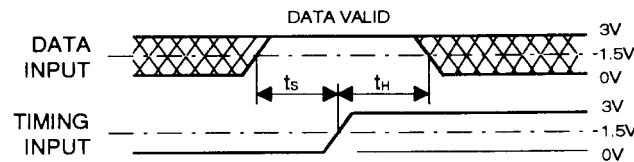
3. Measured at maximum f_{clk};

I_{CC(max)}: V_{CC} = 5.25V, T_A = 0°C.

I_{CC(typ)}: V_{CC} = 5.00V, T_A = +25°C.

■ AC WAVEFORMS

■ FIGURE 4. MPU READ/WRITE TIMING


Notes: Output delay is measured from the 50% point of the rising edge of CLK, to the 50% point of the measured signals' full scale transition. Settling time is measured from the 50% point of the output full-scale transition, to the point where output remains within ± 1 LSB (W82C478) or $\pm 1/2$ LSB (W82C476). Output rise/fall time is measured between the 10% and 90% points of the full-scale transition.

■ FIGURE 5. VIDEO INPUT/OUTPUT TIMING


Notes: Diagram is shown for HIGH data value only. Output transition may be opposite sense. Cross-hatched areas are "Don't Care" conditions.

■ FIGURE 6. SWITCHING TEST WAVEFORM

W82C476

W82C478

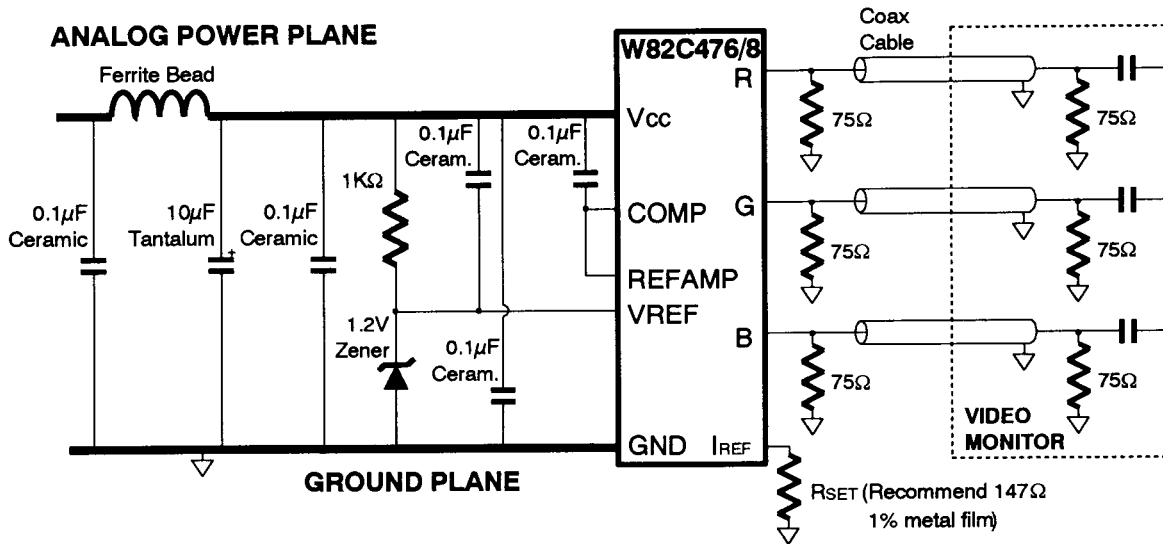
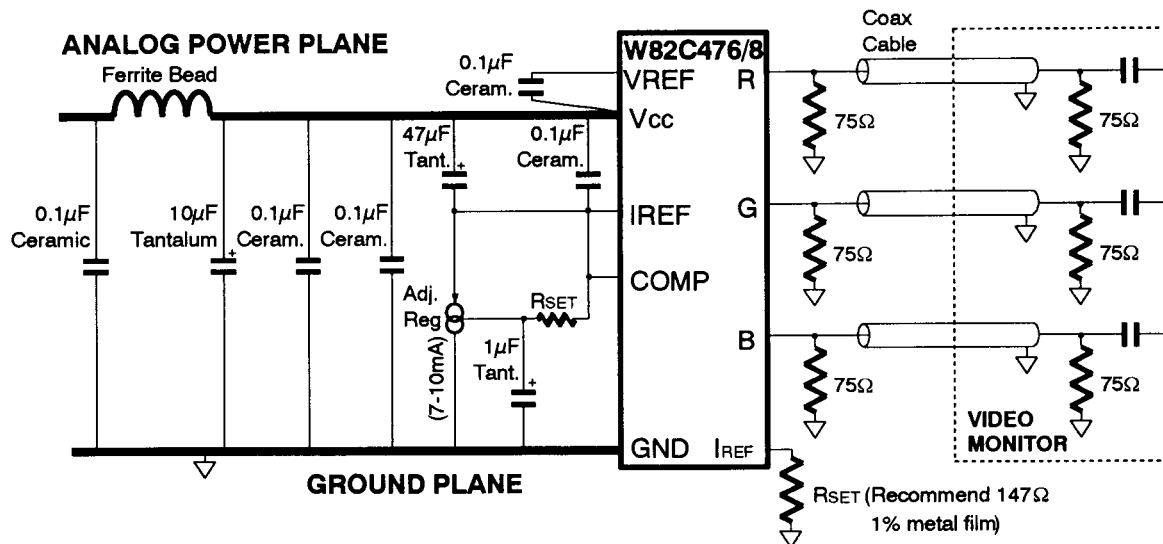
Graphics Color Palette



■ ORDERING INFORMATION

DEVICE PART NUMBER	SPEED	COLOR PALETTE SIZE	OVERLAY PALETTE	SYNC SIGNAL GENERATION	PACKAGE
W82C476P-66	66 MHz	256 x 18	none	no	44-pin PLCC, J-Lead
W82C467P-80	80 MHz	256 x 18	none	no	44-pin PLCC, J-Lead
W82C476-66	66 MHz	256 x 18	none	no	28-pin, 600mil Plastic DIP
W82C476-80	80 MHz	256 x 18	none	no	28-pin, 600mil Plastic DIP
W82C478P-66	66 MHz	256 x 24	15 x 24	yes	44-pin PLCC, J-Lead
W82C468P-80	80 MHz	256 x 24	15 x 24	yes	44-pin PLCC, J-Lead
W82C478P-100	100 MHz	256 x 24	15 x 24	yes	44-pin PLCC, J-Lead

Note: ALL DEVICES ABOVE ARE COMMERCIAL AMBIENT TEMPERATURE RANGE, 0°C to +70°C.

■ CIRCUIT CONNECTION RECOMMENDATIONS

■ FIGURE 7. EXAMPLE APPLICATION CIRCUIT, VOLTAGE REFERENCE MODE

■ FIGURE 8. EXAMPLE APPLICATION CIRCUIT, CURRENT REFERENCE MODE

■ WINBOND SALES AND CORPORATE OFFICES

■ **CORPORATE HEADQUARTERS**

Winbond Electronics Corporation
No. 2, R&D Rd. VI
Science-Based Industrial Park
Hsin-Chu, Taiwan, R.O.C.
TEL: (035)770066
FAX: 886-35-774527

■ **TAIWAN SALES OFFICE**

11F, No. 115, Sec. 3
Min Sheng E. Rd
Taipei, Taiwan, R.O.C.
TEL: (02)7190505
FAX: 886-2-7197502
TLX: 16485 WINTPE

■ **HONG KONG SALES OFFICE**

Winbond Electronics Ltd.
Room 305, 3/F
17 Wang Hoi Road
Shun Fat Industrial Building, Kowloon Bay
Kowloon, Hong Kong
TEL: 7516023-7
FAX: 7552064

■ **NORTH AMERICAN SALES OFFICE**

Winbond Electronics North America Corporation
Building #20
3350 Scott Boulevard
Santa Clara, CA 95054 U.S.A.
TEL: (408)982-0381
FAX: (408)982-9231

■ **EUROPEAN SALES OFFICE**

Winbond Europe
Leuvensesteenweg 613
B-1930 Zaventem, Belgium
TEL: (32) (2) 759 29 10
FAX: (32) (2) 759 29 64
TLX: 20370 BC.Zav.B.

PS/2[®] and 8514/a[®] are Registered Trademarks of International Business Machines. Macintosh is a Trademark of Apple Computers, Inc. RAMDAC[™] is a trademark of Brooktree Corporation.

The information provided herein by Winbond is believed to be accurate and reliable at the time of publication. No responsibility is assumed by Winbond for its use, nor for any possible infringements of patents or other rights of third parties which may result from its use. No license is granted by implication or otherwise under any patent or patent rights of Winbond.

Copyright © 1991, Winbond Electronics North America Corporation, U.S.A. All data and specifications are subject to change without notice.

