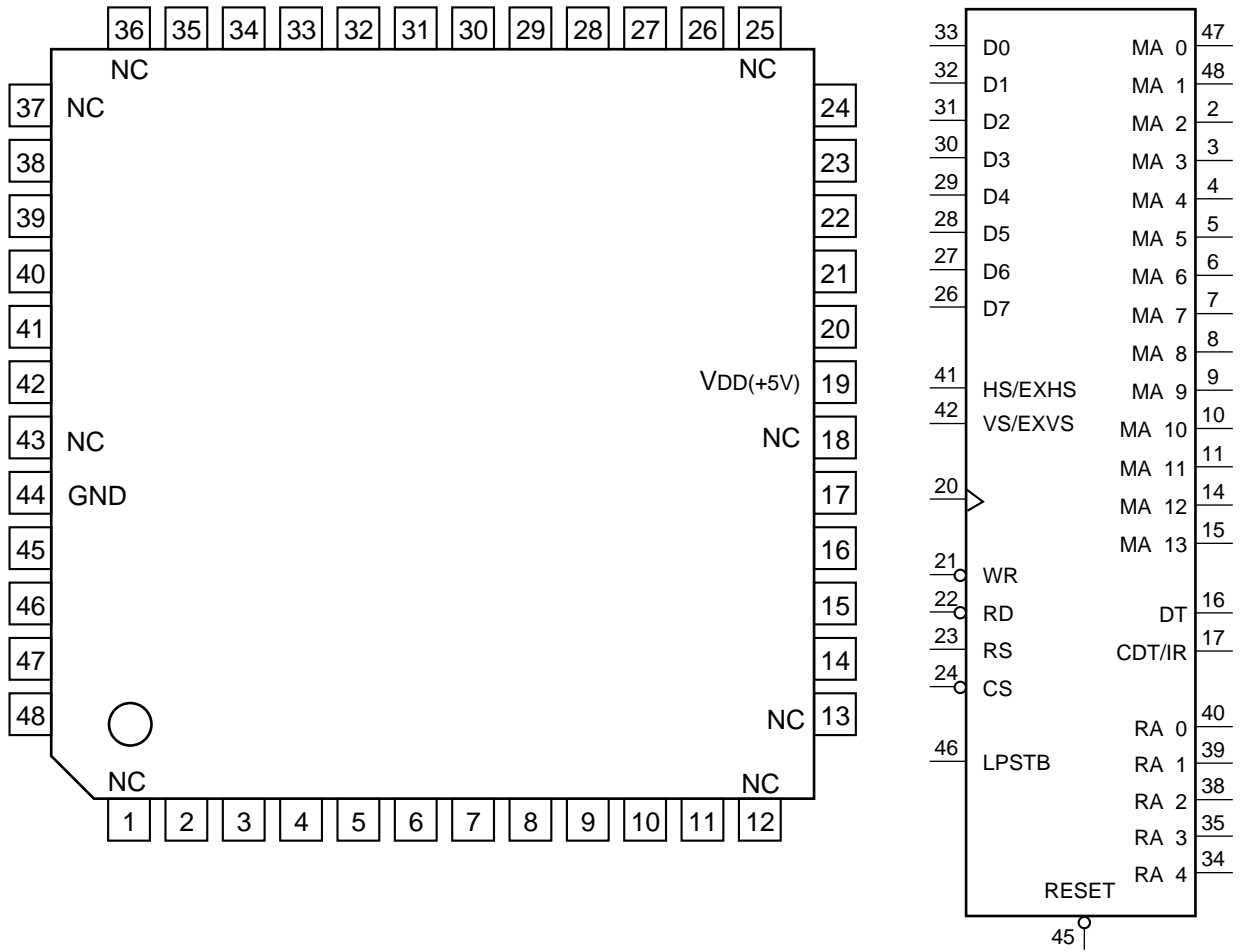
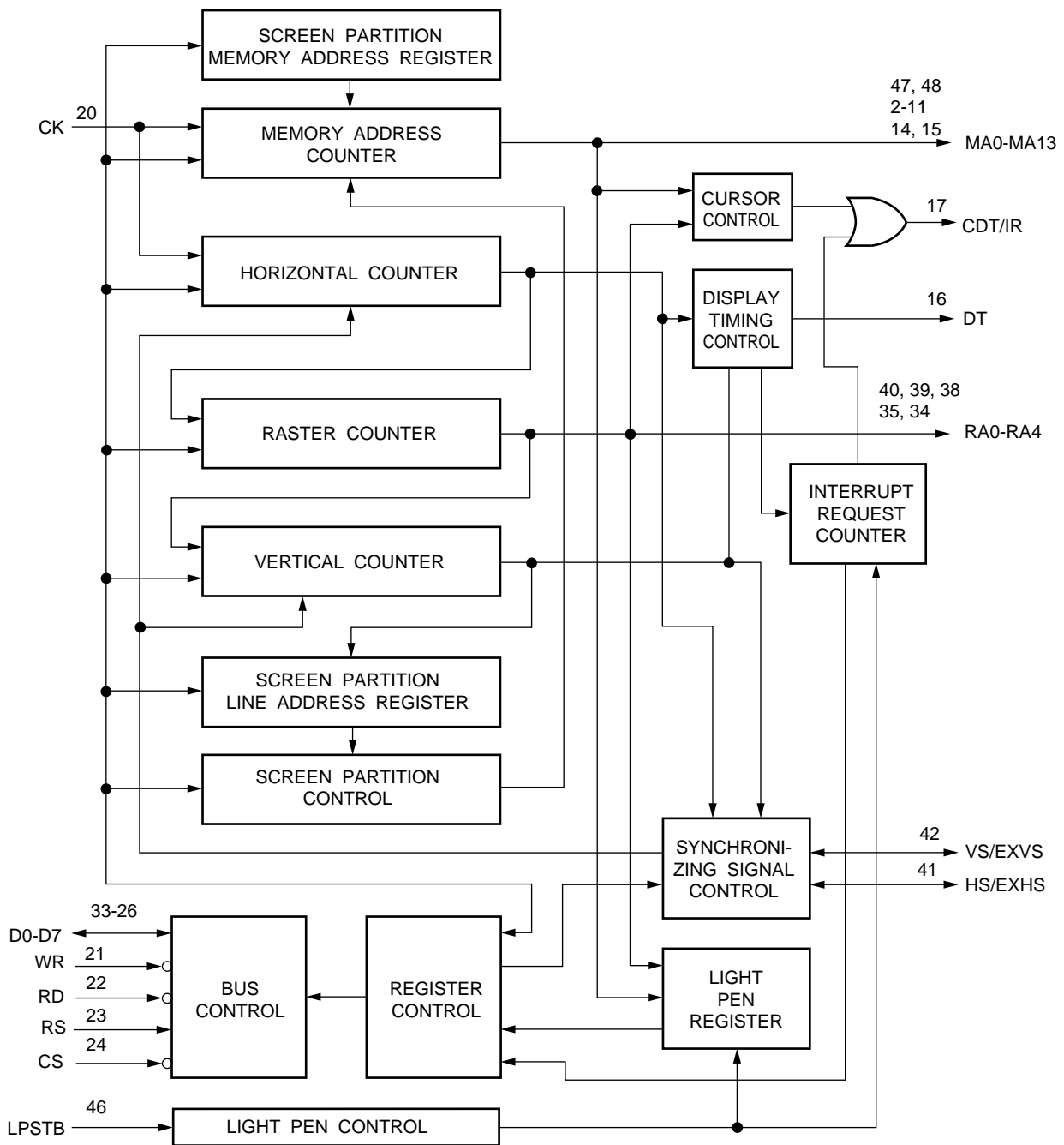

MB89322A (1/2)
IL00

C-MOS PROGRAMMABLE CRT (CATHODE-RAY TUBE) CONTROLLER
—TOP VIEW—



PIN No.	I/O	SIGNAL	PIN No.	I/O	SIGNAL	PIN No.	I/O	SIGNAL	PIN No.	I/O	SIGNAL
1	—	NC	13	—	NC	25	—	NC	37	—	NC
2	O	MA2	14	O	MA12	26	I/O	D7	38	O	RA2
3	O	MA3	15	O	MA13	27	I/O	D6	39	O	RA1
4	O	MA4	16	O	DT	28	I/O	D5	40	O	RA0
5	O	MA5	17	O	CDT/IR	29	I/O	D4	41	I/O	HS/EXHS
6	O	MA6	18	—	NC	30	I/O	D3	42	I/O	VS/EXVS
7	O	MA7	19	—	VDD (+5V)	31	I/O	D2	43	—	NC
8	O	MA8	20	I	CK	32	I/O	D1	44	—	GND
9	O	MA9	21	I	WR	33	I/O	D0	45	I	RESET
10	O	MA10	22	I	RD	34	O	RA4	46	I	LPSTB
11	O	MA11	23	I	RS	35	O	RA3	47	O	MA0
12	—	NC	24	I	CS	36	—	NC	48	O	MA1



INPUT

CK ; CLOCK
 CS ; CHIP SELECT
 LPSTB ; LIGHT PEN STROBE
 RD ; READ
 RESET ; RESET INPUT
 RS ; REGISTER SELECT
 WR ; WRITE

OUTPUT

CDT/IR ; CURSOR DISPLAY TIMING/
 INTERRUPT REQUEST
 DT ; DISPLAY TIMING
 MA0-MA13 ; MEMORY ADDRESS
 RA0-RA4 ; RASTER ADDRESS

INPUT/OUTPUT

D0-D7 ; DATA BUS
 HS/EXHS ; H SYNC OUT/EXTERNAL H SYNC IN
 VS/EXVS ; V SYNC OUT/EXTERNAL V SYNC IN