

**LB1411****Level Meter**

Overview

The LB1411 is intended for 10-LED display signal meter applications. It is especially suited for use in 3V-powered small-sized radios.

Features and Functions

- Operable from low voltage.
- Minimum number of external parts required.
- LED current is stabilized and can be also set freely by an external resistor.
- Operable even at small signal input mode because of on-chip input amplifier.
- High resolution capability because of 10-LED display.
- Less electromagnetic interference in AM band.

Specifications

Absolute Maximum Ratings at Ta = 25°C

Parameter	Symbol	Conditions	Ratings	Unit
Maximum supply voltage	V _{CC} max	Pin 15	-0.3 to +10	V
Input voltage	V _{IN} max	Pin 2	-0.3 to V _{CC}	V
Allowable power dissipation	Pd max	Ta=55°C	500	mW
Operating temperature	Topr		-25 to +75	°C
Storage temperature	Tstg		-40 to +125	°C

Allowable Operating Ranges at Ta = 25°C

Parameter	Symbol	Conditions	Ratings			Unit
			min	typ	max	
Supply voltage	V _{CC}	Pin 15	2.1	3	9	V
I _D determining resistance		Connected across I _{LED} &GND	3.3	6.8	20	kΩ

Electrical Characteristics at Ta = 25°C, V_{CC}=3V

Parameter	Symbol	Conditions	Ratings			Unit
			min	typ	max	
Current drain	I _{CC}	Pin 15		2.5	4	mA
Input current	I _{IN}	Pin 2, V _{IN} =0V	-1.0	-0.2		μA
Reference voltage	V _{ref}	Pin 16	1.14	1.24	1.34	V
D output current	I _{D1} to 10	Pin 4 to 13, D output ON, 6.8kΩ across I _{LED} &GND	0.7	1	1.3	mA

Continued on next page.

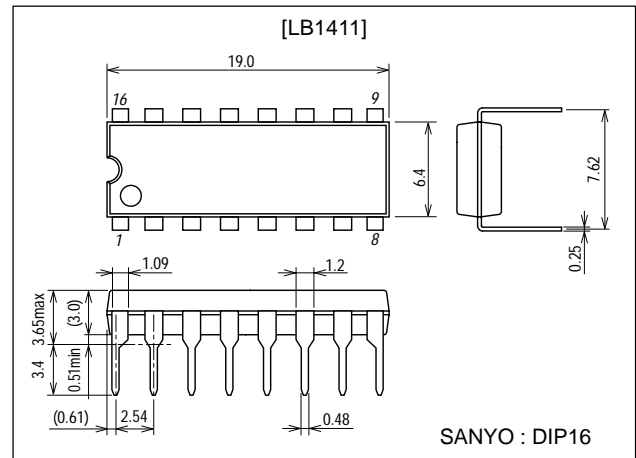
■ Any and all SANYO products described or contained herein do not have specifications that can handle applications that require extremely high levels of reliability, such as life-support systems, aircraft's control systems, or other applications whose failure can be reasonably expected to result in serious physical and/or material damage. Consult with your SANYO representative nearest you before using any SANYO products described or contained herein in such applications.

■ SANYO assumes no responsibility for equipment failures that result from using products at values that exceed, even momentarily, rated values (such as maximum ratings, operating condition ranges, or other parameters) listed in products specifications of any and all SANYO products described or contained herein.

Package Dimensions

unit:mm

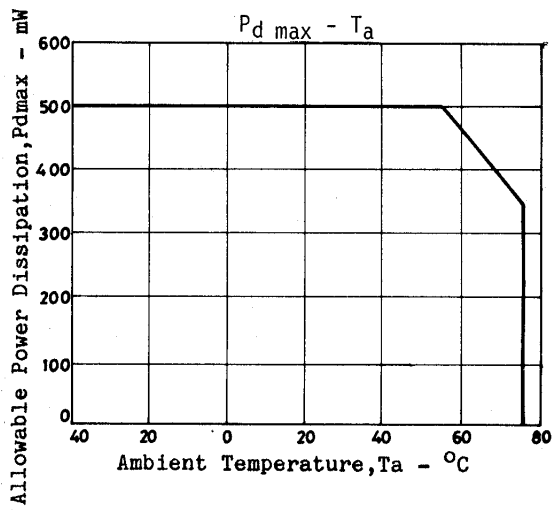
3006C-DIP16



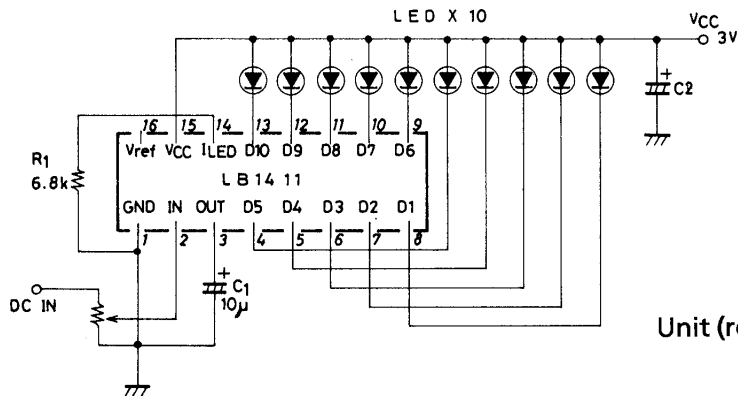
LB1411

Continued from preceding page.

Parameter	Symbol	Conditions	Ratings			Unit
			min	typ	max	
[Comparator level]						
D ₁₀	V _{T10}	Pin 13	230	270	310	mV
D ₁	V _{T1}	Pin 8	0.06V _{T10}	0.1V _{T10}	0.14V _{T10}	mV
D ₂	V _{T2}	Pin 7	0.16V _{T10}	0.2V _{T10}	0.24V _{T10}	mV
D ₃	V _{T3}	Pin 6	0.26V _{T10}	0.3V _{T10}	0.34V _{T10}	mV
D ₄	V _{T4}	Pin 5	0.36V _{T10}	0.4V _{T10}	0.44V _{T10}	mV
D ₅	V _{T5}	Pin 4	0.46V _{T10}	0.5V _{T10}	0.54V _{T10}	mV
D ₆	V _{T6}	Pin 9	0.56V _{T10}	0.6V _{T10}	0.64V _{T10}	mV
D ₇	V _{T7}	Pin 10	0.66V _{T10}	0.7V _{T10}	0.74V _{T10}	mV
D ₈	V _{T8}	Pin 11	0.76V _{T10}	0.8V _{T10}	0.84V _{T10}	mV
D ₉	V _{T9}	Pin 12	0.86V _{T10}	0.9V _{T10}	0.94V _{T10}	mV
Output saturation voltage D ₁ to D ₁₀	V _{sat}	Pin 4 to 13, 6.8kΩ across I _{LED} &GND			0.4	V
Output leak current	I _{OFF}	Pin 4 to 13			10	μA



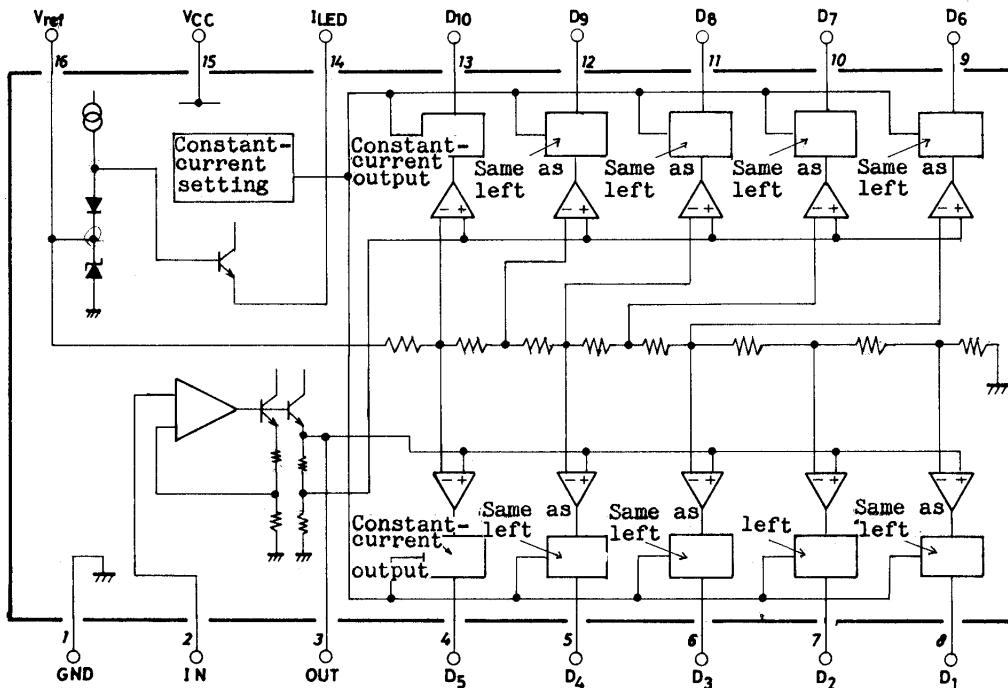
Application Circuit



Unit (resistance: Ω, capacitance: F)

Constant current of D output is determined by R1.
1mA typ. at 6.8kΩ

Equivalent Circuit Block Diagram



- Specifications of any and all SANYO products described or contained herein stipulate the performance, characteristics, and functions of the described products in the independent state, and are not guarantees of the performance, characteristics, and functions of the described products as mounted in the customer's products or equipment. To verify symptoms and states that cannot be evaluated in an independent device, the customer should always evaluate and test devices mounted in the customer's products or equipment.
- SANYO Electric Co., Ltd. strives to supply high-quality high-reliability products. However, any and all semiconductor products fail with some probability. It is possible that these probabilistic failures could give rise to accidents or events that could endanger human lives, that could give rise to smoke or fire, or that could cause damage to other property. When designing equipment, adopt safety measures so that these kinds of accidents or events cannot occur. Such measures include but are not limited to protective circuits and error prevention circuits for safe design, redundant design, and structural design.
- In the event that any or all SANYO products(including technical data, services) described or contained herein are controlled under any of applicable local export control laws and regulations, such products must not be exported without obtaining the export license from the authorities concerned in accordance with the above law.
- No part of this publication may be reproduced or transmitted in any form or by any means, electronic or mechanical, including photocopying and recording, or any information storage or retrieval system, or otherwise, without the prior written permission of SANYO Electric Co., Ltd.
- Any and all information described or contained herein are subject to change without notice due to product/technology improvement, etc. When designing equipment, refer to the "Delivery Specification" for the SANYO product that you intend to use.
- Information (including circuit diagrams and circuit parameters) herein is for example only ; it is not guaranteed for volume production. SANYO believes information herein is accurate and reliable, but no guarantees are made or implied regarding its use or any infringements of intellectual property rights or other rights of third parties.

This catalog provides information as of February, 2001. Specifications and information herein are subject to change without notice.