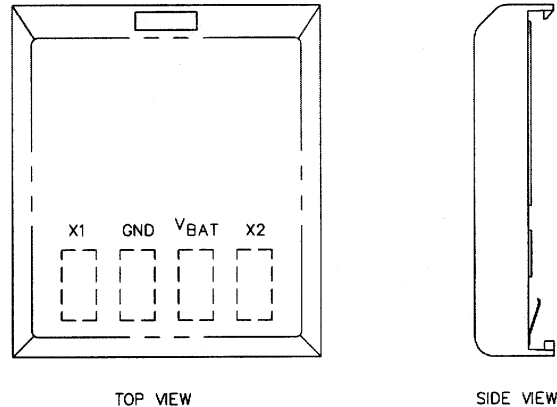


## FEATURES

- Provides 10 years of battery backup power for Nonvolatile Timekeeping RAMs in the PowerCap Module package (PCM)
- Snaps directly onto surface-mounted PowerCap Module Boards
- Detachment feature allows easy removal
- Compatible with these 34-pin PowerCap Module boards:
  - DS1386P                    - DS1543P/YP/WP
  - DS1486P                    - DS1553P/YP/WP
  - DS1643P                    - DS1554P/YP/WP
  - DS1644P                    - DS1556P/YP/WP
  - DS1646P                    - DS1557P/YP/WP
  - DS1647P                    - DS1744P/YP/WP
  - DS1743P/WP                - DS1746P/YP/WP
  - DS1251YP/WP              - DS1747P/YP/WP
  - DS1248YP/WP
  - DS1244YP/WP



## PIN DESCRIPTION

- V<sub>BAT</sub>                    - +3 Volt Battery Output
- GND                      - Ground
- X1, X2                    - 32.768 kHz Crystal Connections

## ABSOLUTE MAXIMUM RATINGS\*

Operating Temperature	-40°C TO +85°C
Storage Temperature	-40°C TO +85°C

## BATTERY CHARACTERISTICS

Nominal Voltage	3V
Nominal Capacity	130 mAh
Chemistry	Li(CF) <sub>x</sub>
Data Retention Life	10 Years (25°C)

## CRYSTAL CHARACTERISTICS

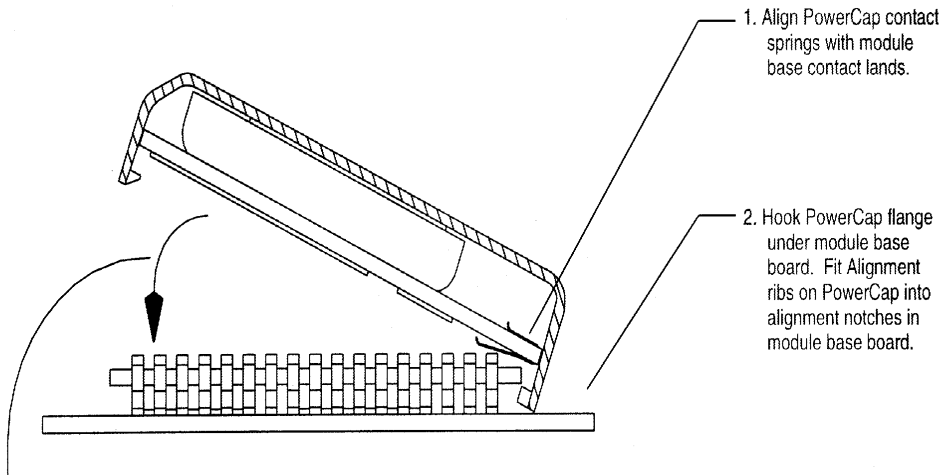
Nominal Frequency	32.768 kHz
Load Capacitance	6 pF

\* This is a stress rating only and functional operation of the device at these or any other conditions above those indicated in the operation sections of this specification is not implied. Exposure to absolute maximum rating conditions for extended periods of time may affect reliability.

## DESCRIPTION

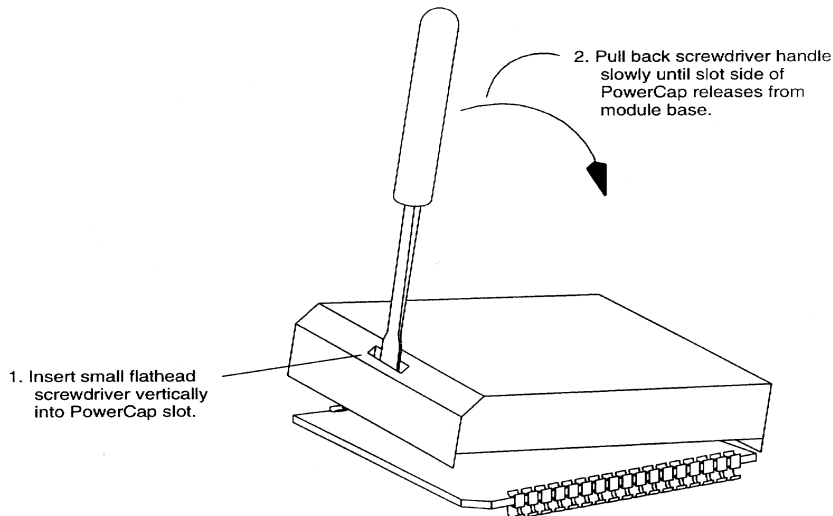
The DS9034PCX PowerCap is designed to be a lithium power source for Nonvolatile Time-keeping RAMs in Dallas Semiconductor's directly surface-mountable PowerCap Module (PCM) package. After a PowerCap Module Board has been soldered in place and cleaned, the DS9034PCX PowerCap is placed on top of the PCM Board to form a complete PowerCap Module package. The PowerCap is keyed to prevent incorrect attachment. The DS9034PCX can be easily removed by inserting a regular screwdriver into a detachment feature and prying gently outward and upward to release the PowerCap from the PowerCap Module Board.

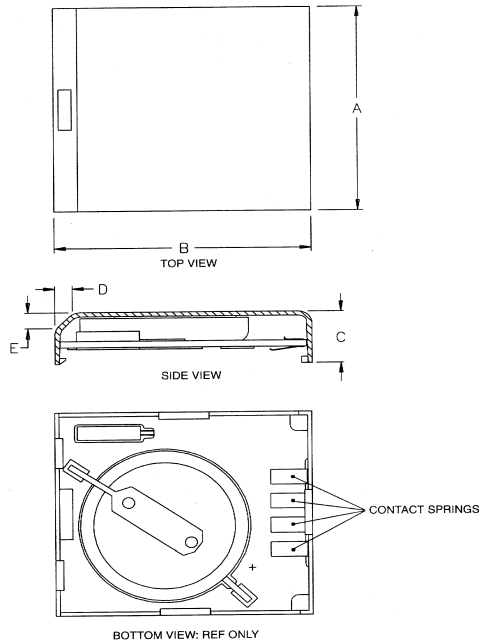
## POWERCAP ATTACHMENT AND REMOVAL



3. Pushdown and forward with screwdriver while inserting the PowerCap. This action will "open" the attachment feature.

## POWERCAP REMOVAL



**DS9034PCX**

PKG DIM	INCHES		
	MIN	MON	MAX
A	0.845	0.850	0.855
B	0.955	0.960	0.965
C	0.210	0.215	0.220
D	0.065	0.070	0.075
E	0.065	0.070	0.075

POWER CAP: BATTERY AND CRYSTAL

**ATTENTION: BATTERY COMPONENT**

The DS9034PCX contains a lithium battery. Do not short, ground or apply external voltages to the electrical portions of this device. Do not expose to temperatures over 85°C. Do not subject this device to any type of cleaning process. Store only in nonconductive containers. Failure to observe these precautions may result in battery discharge or decreased battery life.