

PROTECTION PRODUCTS

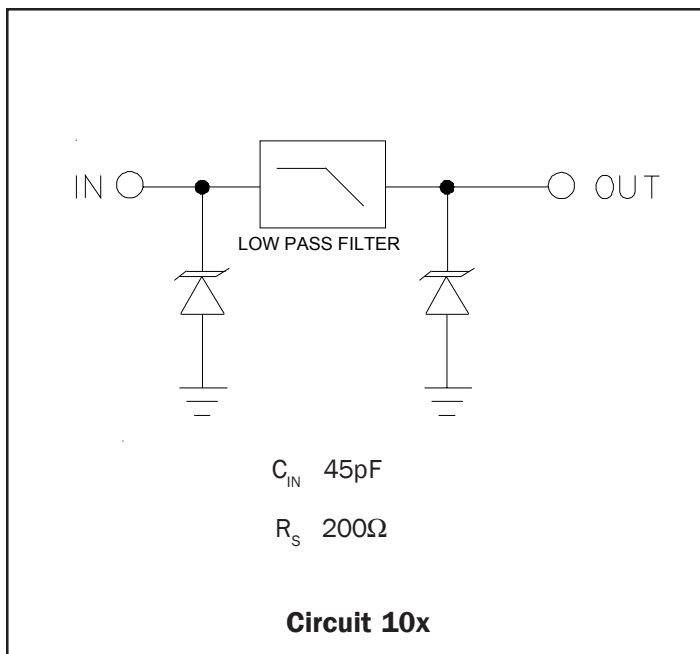
Description

The SFC2309-200 is a low pass filter array with integrated TVS diodes. It is designed to suppress unwanted EMI/RFI signals and provide electrostatic discharge (ESD) protection in portable electronic equipment. This state-of-the-art device utilizes solid-state silicon-avalanche technology for superior clamping performance and DC electrical characteristics. They have been optimized for **protection of color LCD panels** in cellular phones and other portable electronics.

The device consists of ten identical circuits comprised of TVS diodes for ESD protection, and a resistor - capacitor network for EMI/RFI filtering. A series resistor value of 200Ω and a capacitance value of 45pF is used to achieve 25dB minimum attenuation from 800MHz to 3GHz. Each line features two stages of TVS diode protection. The TVS diodes provide effective suppression of ESD voltages in excess of ±15kV (air discharge) and ±8kV (contact discharge) per IEC 61000-4-2, level 4.

The device is a 25-bump, 0.5mm pitch flip chip array with a 5x5 bump grid. It measures 2.6 x 2.6 x 0.65mm. The solder bumps have a nominal diameter of 0.315mm.

Circuit Diagram



Features

- ◆ Flip Chip bidirectional EMI/RFI filter with integrated ESD protection
- ◆ ESD protection to **IEC 61000-4-2 (ESD) ±15kV (air), ±8kV (contact) IEC 61000-4-4 (EFT) 40A (5/50ns)**
- ◆ Filter performance: 25dB minimum attenuation 800MHz to 3GHz
- ◆ TVS working voltage: 5V
- ◆ Resistor: 200Ω
- ◆ Input Capacitance: 45pF
- ◆ Protection and filtering for ten lines

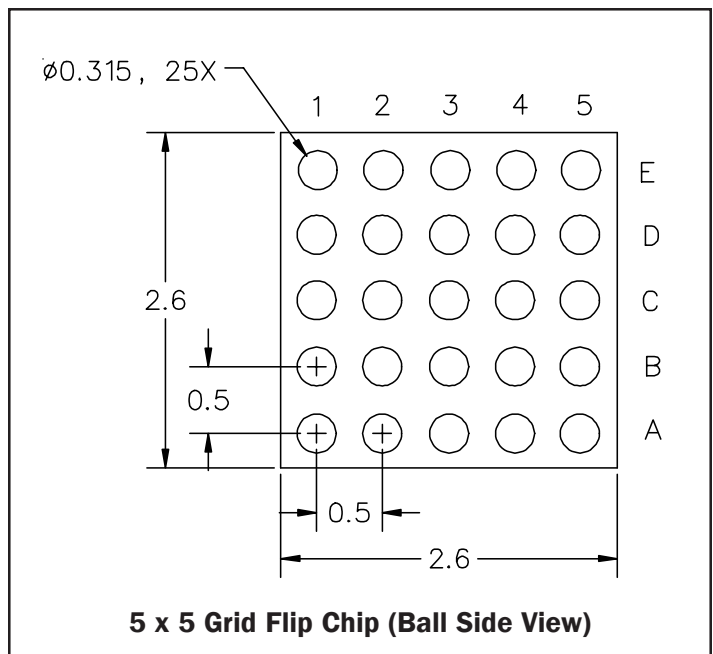
Mechanical Characteristics

- ◆ JEDEC MO-211, Variation BF, 0.50 mm Pitch Flip Chip
- ◆ Nominal Dimensions: 2.6 x 2.6 x 0.65 mm
- ◆ Bump Diameter: 315±20 μm
- ◆ Marking : Marking code, dot at ball A1
- ◆ Packaging : Tape and Reel per EIA 481

Applications

- ◆ Color LCD Panel Protection
- ◆ Cell Phone Handsets and Accessories
- ◆ Personal Digital Assistants (PDA's)
- ◆ Notebook & Hand Held Computers

PIN Configuration



PROTECTION PRODUCTS
Absolute Maximum Rating

Rating	Symbol	Value	Units
ESD per IEC 61000-4-2 (Air) ESD per IEC 61000-4-2 (Contact)	V_{ESD}	± 15 ± 12	kV
Junction Temperature	T_J	125	°C
Operating Temperature	T_{op}	-40 to +85	°C
Storage Temperature	T_{STG}	-55 to +150	°C

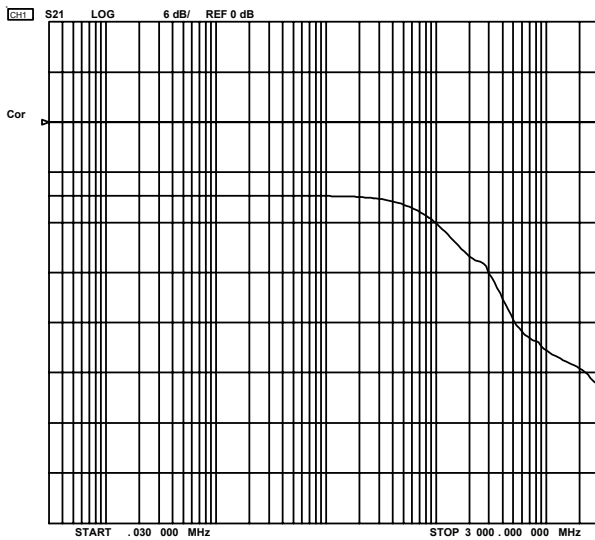
Electrical Characteristics

SFC2309-200						
Parameter	Symbol	Conditions	Minimum	Typical	Maximum	Units
TVS Reverse Stand-Off Voltage	V_{RWM}				5	V
TVS Reverse Breakdown Voltage	V_{BR}	$I_t = 1mA$	6	8	10	V
TVS Reverse Leakage Current	I_R	$V_{RWM} = 3.0V$			0.5	μA
Total Series Resistance	R	Each Line	170	200	230	Ω
Total Capacitance	C_{in}	Input to Ground, Each Line $V_R = 0V, f = 1MHz$		45	50	pF

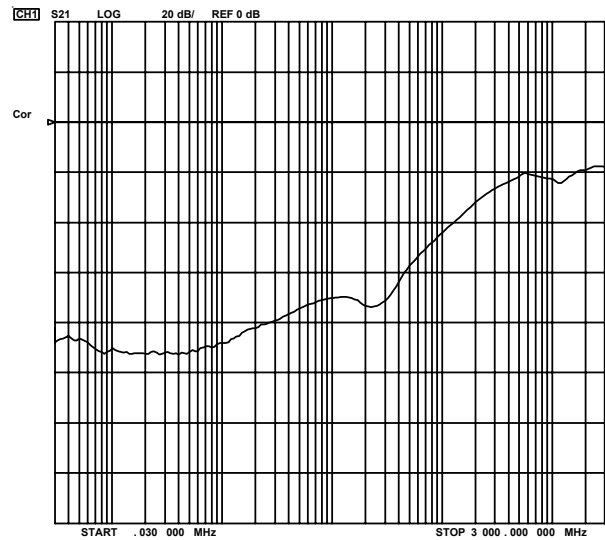
PROTECTION PRODUCTS

Typical Characteristics

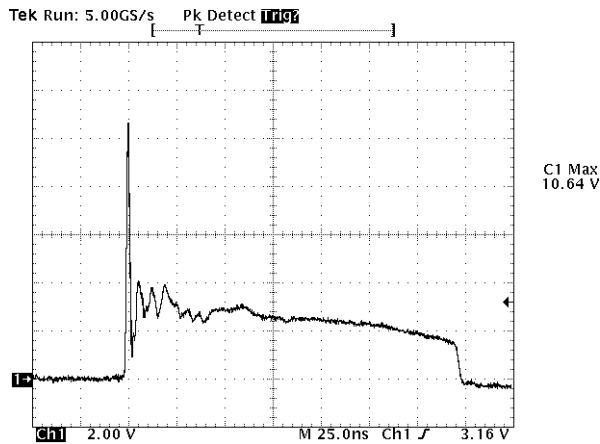
Typical Insertion Loss S21 (Each Line)



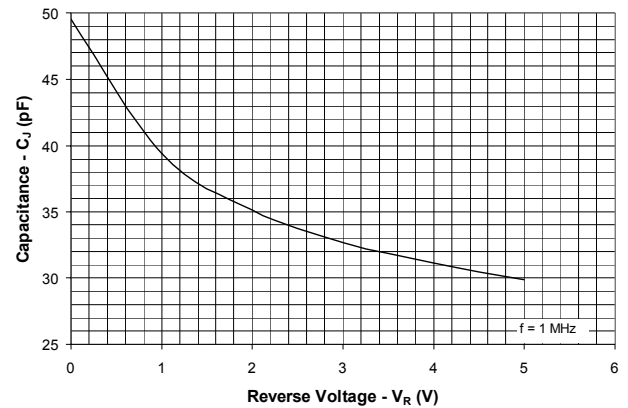
Analog Crosstalk (Each Line)



ESD Clamping (8kV Contact)



Capacitance vs. Reverse Voltage



PROTECTION PRODUCTS

Applications Information

Device Connection Options

The SFC2309-200 has solder bumps located in a 5 x 5 matrix layout on the active side of the device. The bumps are designated by the numbers 1 - 5 along the horizontal axis and letters A - E along the vertical axis. The input of the lines to be protected are connected at bumps A1 - A5 and B1 - B5. The line outputs are connected at bumps D1 - D5 and E1 - E5. Bumps C1 - C5 are connected to ground. All path lengths should be kept as short as possible to minimize the effects of parasitic inductance in the board traces.

Wafer Level CSP TVS

CSP TVS devices are wafer level chip scale packages. They eliminate external plastic packages and leads and thus result in a significant board space savings. Manufacturing costs are minimized since they do not require an intermediate level interconnect or interposer layer for reliable operation. They are compatible with current pick and place equipment further reducing manufacturing costs. Certain precautions and design considerations have to be observed however for maximum solder joint reliability. These include solder pad definition, board finish, and assembly parameters.

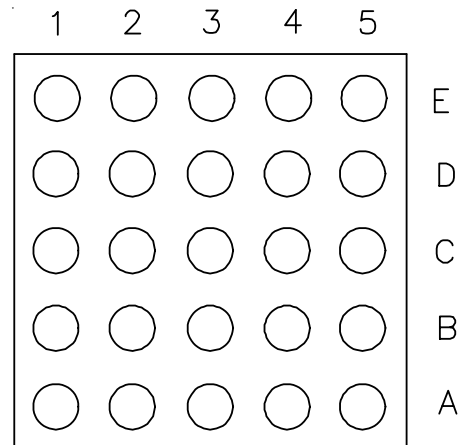
Printed Circuit Board Mounting

Non-solder mask defined (NSMD) land patterns are recommended for mounting flip chip devices. Solder mask defined (SMD) pads produce stress points at the solder mask to solder ball interface that can result in solder joint cracking when exposed to extreme fatigue conditions. The recommended pad size is 0.275 ± 0.010 mm with a minimum solder mask opening of 0.325 mm.

Grid Courtyard

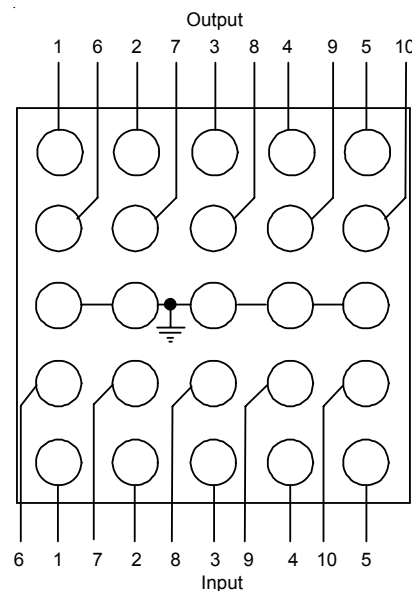
The recommended grid placement courtyard is 2.7 x 2.7 mm. The grid courtyard is intended to encompass the land pattern and the component body that is centered in the land pattern. When placing parts on a PCB, the highest recommended density is when one courtyard touches another.

Pin Identification and Configuration (Ball Side View)



Pin	Identification
A1 - A5	Input, Lines 1, 2, 3, 4, 5
B1 - B5	Input, Lines 6, 7, 8, 9, 10
C1 - C5	Ground
D1 - D5	Output, Lines 6, 7, 8, 9, 10
E1 - E5	Output, Lines 1, 2, 3, 4, 5

Layout Example (Ball Side View)



PROTECTION PRODUCTS

Applications Information

Printed Circuit Board Finish

A uniform board finish is critical for good assembly yield. Two finishes that provide uniform surface coatings are immersion nickel gold and organic surface protectant (OSP). A non-uniform finish such as hot air solder leveling (HASL) can lead to mounting problems and should be avoided.

Stencil Design

A properly designed stencil is key to achieving adequate solder volume without compromising assembly yields. A 0.100mm to 0.200mm thick, laser cut, electro-polished stencil with 0.330mm apertures corners with rounded corners is recommended.

Reflow Profile

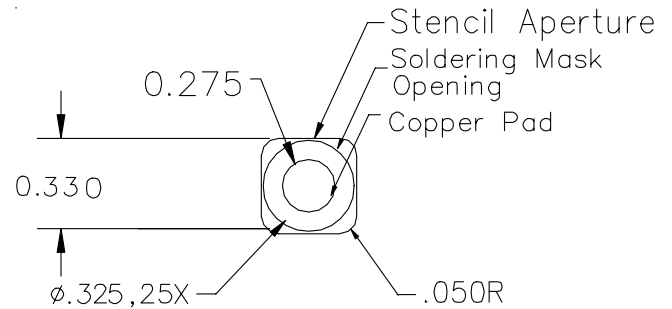
The flip chip TVS can be assembled using standard SMT reflow processes. As with any component, thermal profiles at specific board locations can vary & must be determined by the manufacturer. The flip chip TVS peak reflow temperature is 230 ± 10 °C for a maximum time of 10 seconds. Time above eutectic temperature (183 °C) should be 50 ± 10 seconds. During reflow, the component self-aligns itself on the pad.

Circuit Board Layout Recommendations for Suppression of ESD

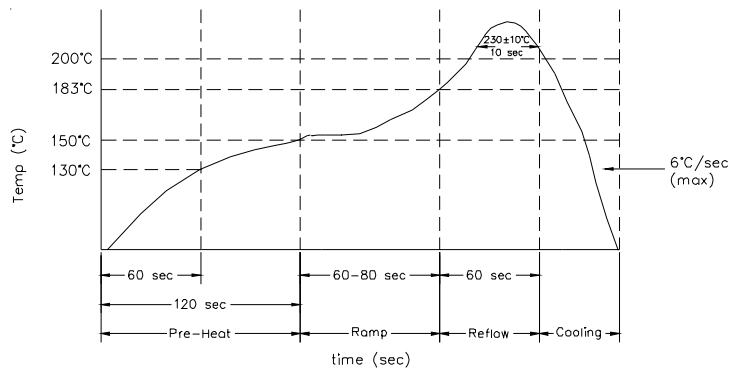
Good circuit board layout is critical for the suppression of ESD induced transients. The following guidelines are recommended:

- Place the TVS near the input terminals or connectors to restrict transient coupling.
- Minimize the path length between the TVS and the protected line.
- Minimize all conductive loops including power and ground loops.
- The ESD transient return path to ground should be kept as short as possible.
- Never run critical signals near board edges.
- Use ground planes whenever possible.

Recommended NSMD Pad and Stencil Aperture

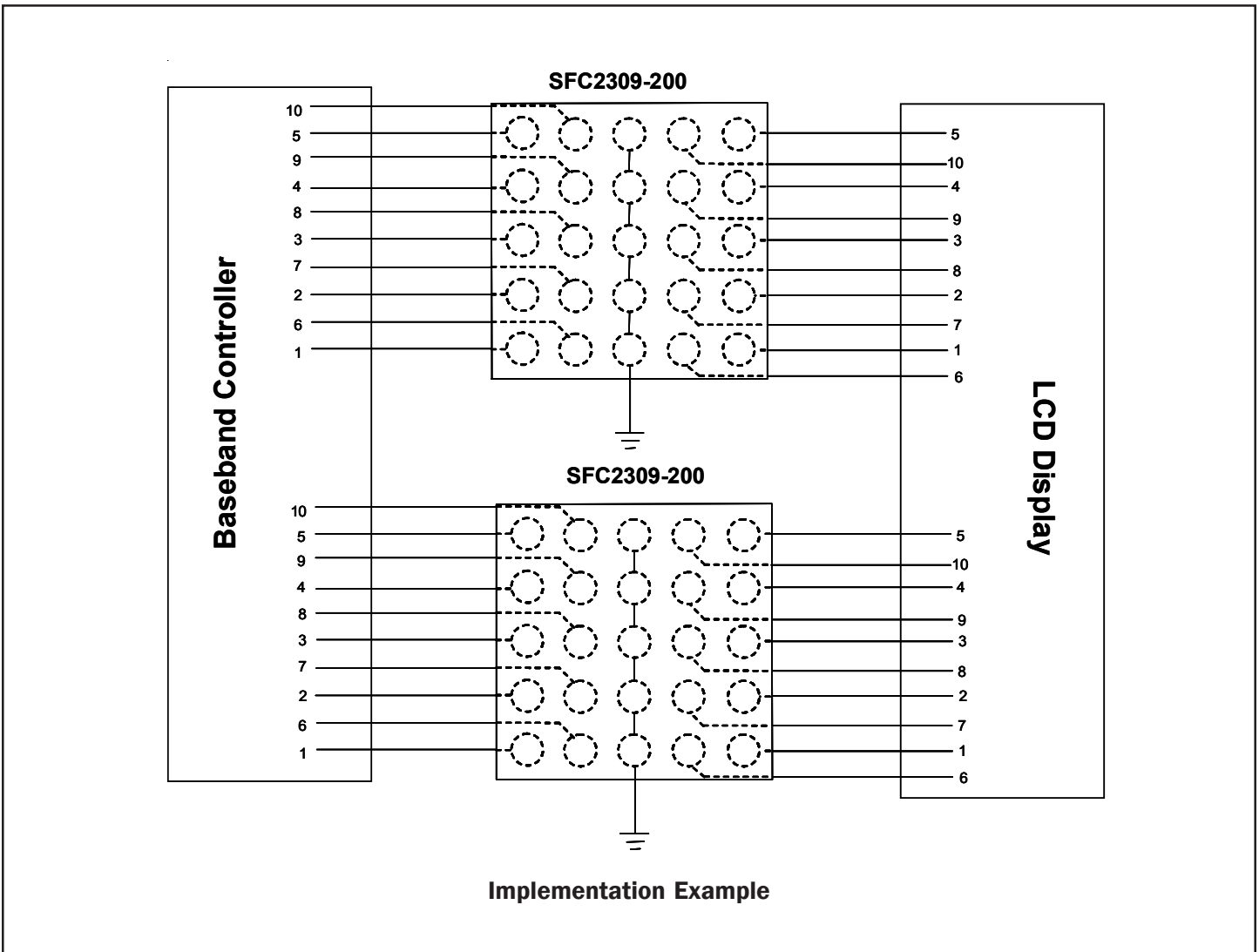


Solder Reflow Profile



Typical solder reflow profile for OSP finish FR-4 bond.

Pre-heat to 150°C	120 sec max
Time to eutectic (183°C)	60-80 sec
Time above eutectic	50±10 sec
Peak reflow temp	230±10°C
Time w/in 10°C of peak	10 seconds
Ramp down rate	6°C/sec max

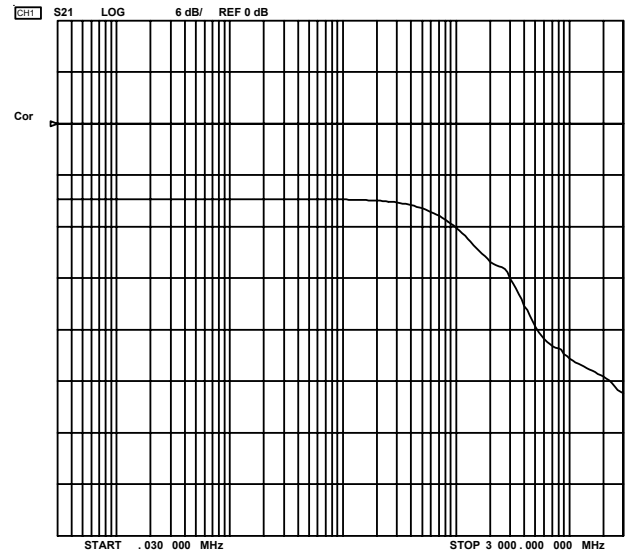


PROTECTION PRODUCTS

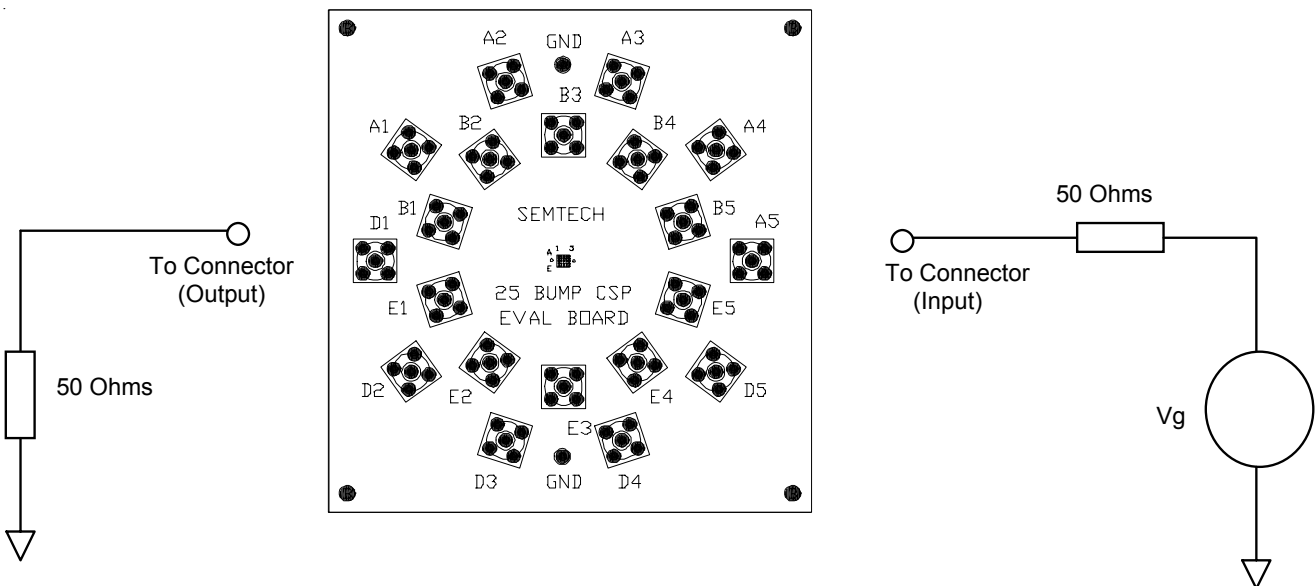
Applications Information

Insertion Loss

The insertion loss of the device is the ratio of the power delivered to the load with and without the filter in the circuit. This parameter is dependent upon the impedance of the source and the load. The standard impedance of test equipment that is used to measure filter frequency response is 50Ω . In order to obtain an accurate measurement of the filter performance, an evaluation board with 50Ω transmission lines are used. The test conditions for the SFC2309-200 are shown below. The evaluation board contains SMA connectors at each of the circuits inputs and outputs. The connections are made with 50Ω traces. An HP 8753E network analyzer with an internal spectrum analyzer and tracking generator is used. This equipment has the capability to sweep the device from 3kHz to 3GHz. The analyzer's source (R_s) impedance is equal to the load (R_L) impedance which is equal to 50Ω .



Insertion Loss S21

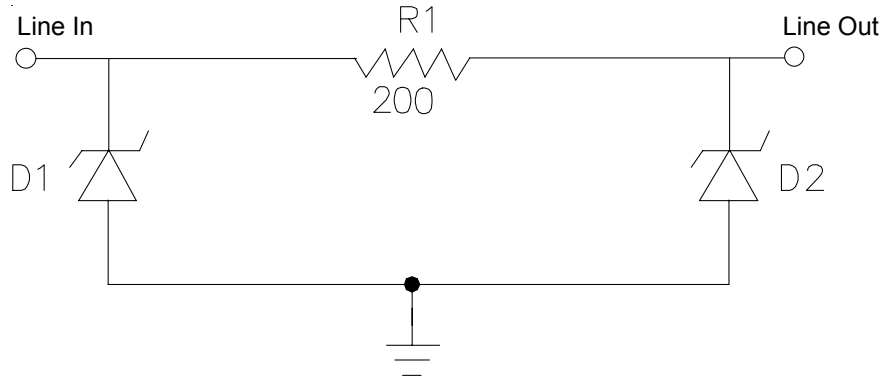


Insertion Loss Measurement Conditions

PROTECTION PRODUCTS

Applications Information

SFC2309-200 Spice Model & Parameters

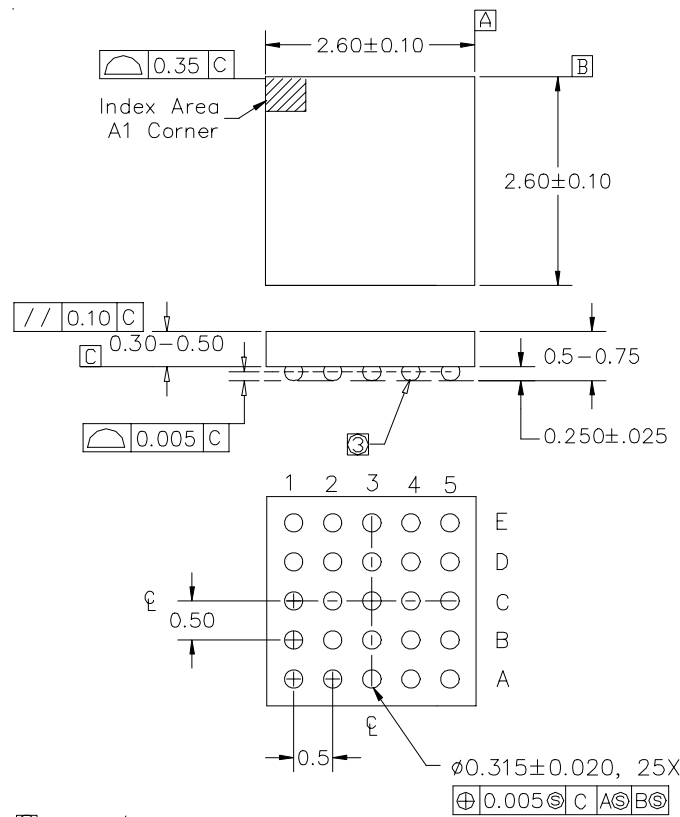


SFC2309-200 Spice Model

SFC2309-200 Spice Parameters			
Parameter	Unit	D1 (TVS)	D2 (TVS)
IS	Amp	1E-14	1E-14
BV	Volt	7.1	7.1
VJ	Volt	0.62	0.62
RS	Ohm	0.124	0.124
IBV	Amp	1E-3	1E-3
CJO	Farad	25E-12	25E-12
TT	sec	2.541E-9	2.541E-9
M	--	0.108	0.108
N	--	1.05	1.05
EG	eV	1.11	1.11

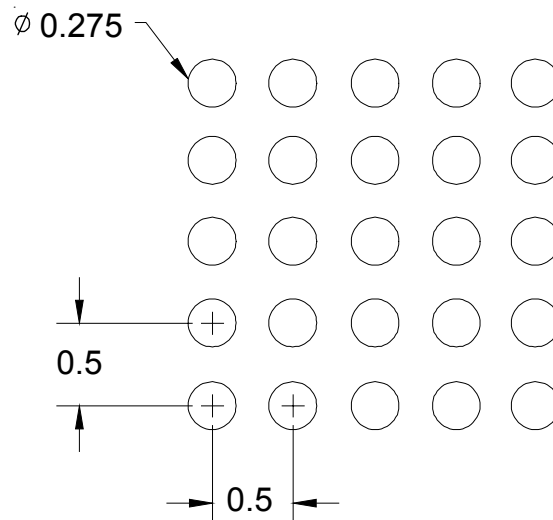
PROTECTION PRODUCTS

Outline Drawing



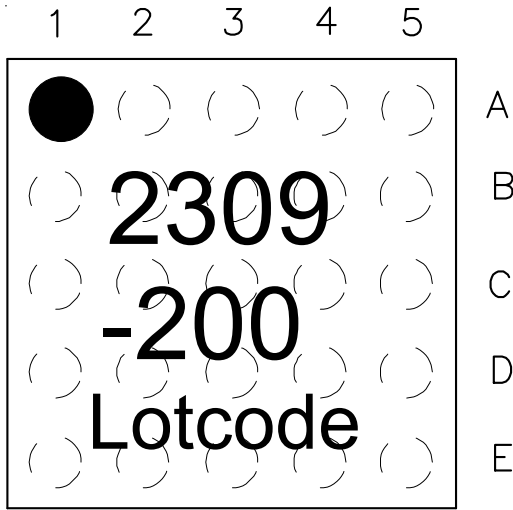
- ③ 63Sn/Pb EUTECTIC BUMP.
- ② REFERENCE JEDEC REGISTRATION MO-211, VARIATION BF.
- ① CONTROLLING DIMENSION: MILLIMETERS.

Land Pattern



PROTECTION PRODUCTS

Marking



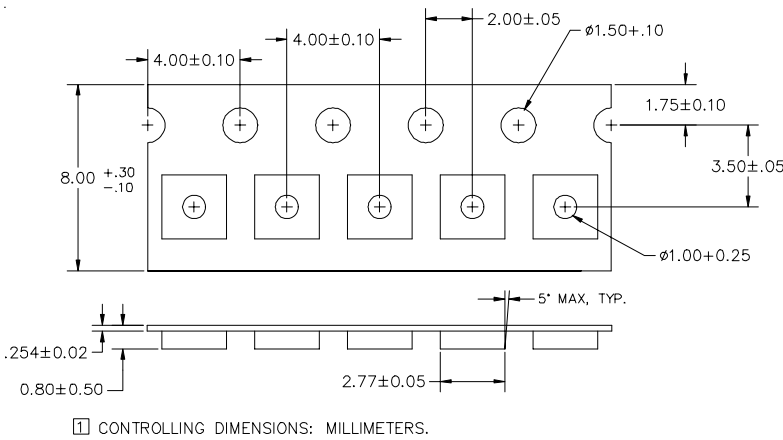
Top View Showing Laser Mark

Ordering Information

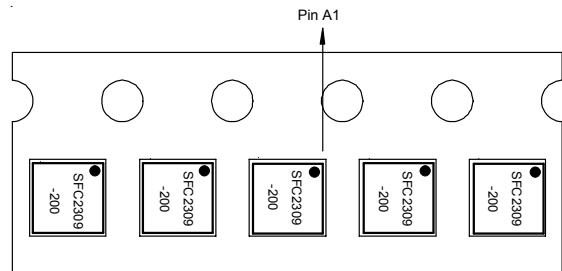
Part Number	Series Resistor	Qty per Reel	Reel Size
SFC2309-200.TC	200Ω	3000	7 Inch

Add "T" suffix for lead free bumps.
Ex: SFC2309-200.TCT

Tape and Reel Specification



Tape Specifications



Device Orientation in Tape

Contact Information

Semtech Corporation
 Protection Products Division
 200 Flynn Rd., Camarillo, CA 93012
 Phone: (805)498-2111 FAX (805)498-3804