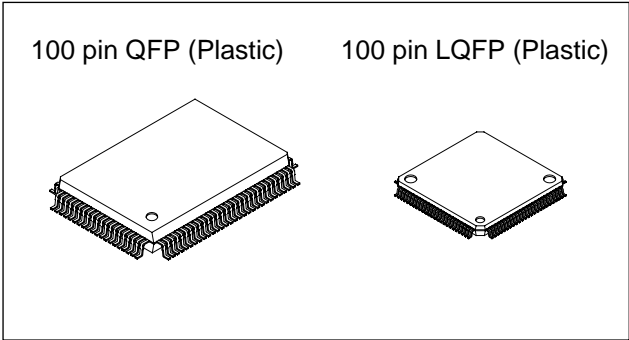


CMOS 16-bit Single Chip Microcomputer

Description

The CXP974F096 is a CMOS 16-bit microcomputer integrating on a single chip an A/D converter, serial interface, I²C bus interface, timer, PWM output circuit, programmable pattern generator, remote control receive circuit, parallel interface, FLASH ROM interface, and as well as basic configurations like a 16-bit CPU, FLASH EEPROM, RAM, and I/O port.

This LSI also provides the sleep/stop functions that enable lower power consumption.



Features

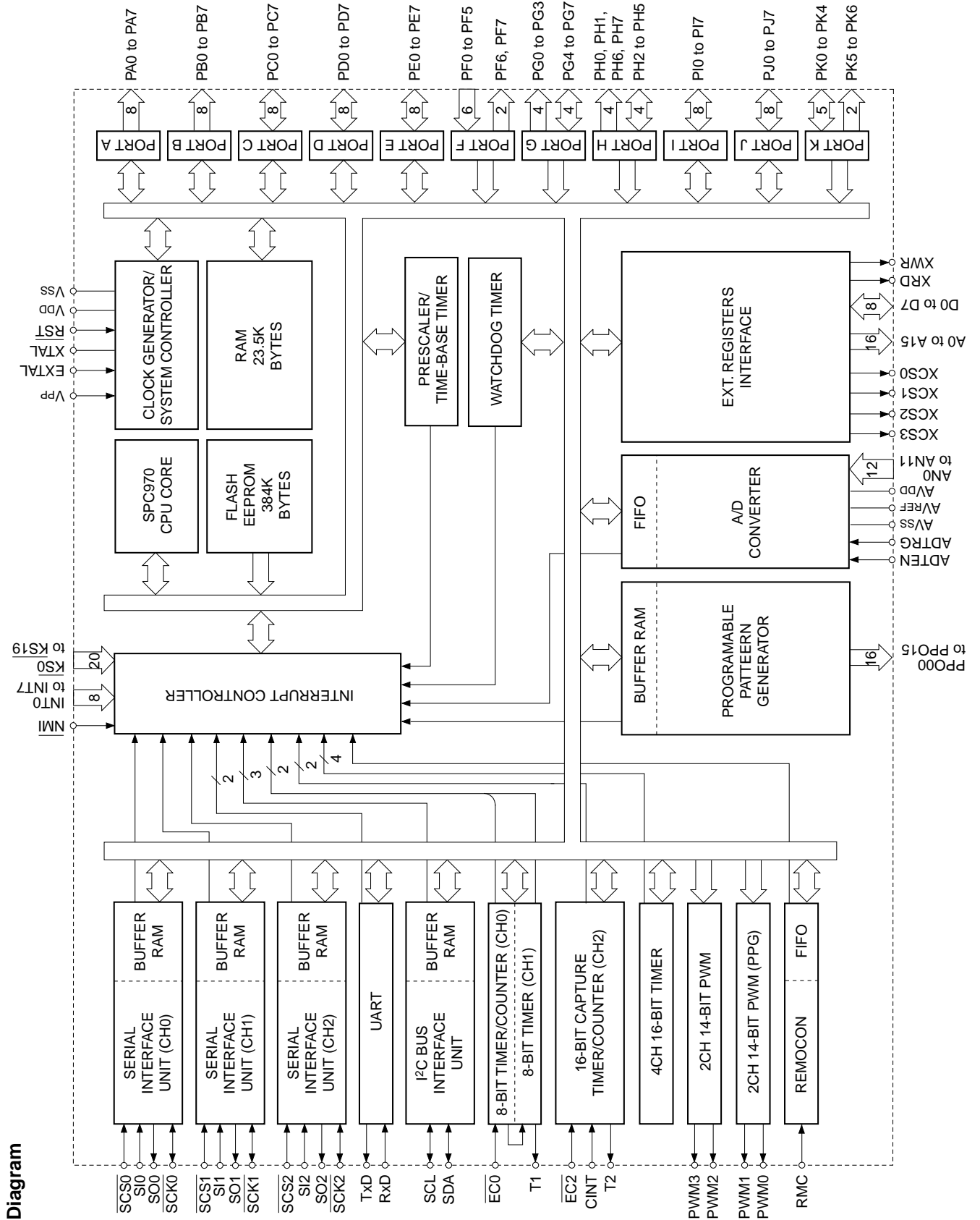
- An efficient instruction set as a controller
 - Direct addressing, numerous abbreviated forms, multiplication and division instructions
- Instruction sets for C language and RTOS
 - Highly quadratic instruction system, general-purpose register of 16-bit × 8-pin × 16-bank configuration
- Minimum instruction cycle
 - 58.8ns at 34MHz operation (3.0 to 3.6V)
 - 66.7ns at 30MHz operation (2.7 to 3.6V)
- Incorporated FLASH EEPROM capacity
 - 384K bytes
- Incorporated RAM capacity
 - 23.5K bytes
- Peripheral functions
 - A/D converter
 - 8-bit 12-analog input, successive approximation system, 3-stage FIFO (Conversion time: 1.55μs at 40MHz)
 - Serial interface
 - Asynchronous serial interface (UART)
 - 128-byte buffer RAM, 3 channels
 - I²C bus interface
 - 64-byte buffer RAM
 - (supports master/slave and automatic transfer mode)
 - Timers
 - 8-bit timer/counter, 2 channels (with timing output)
 - 16-bit capture timer/counter (with timing output)
 - 16-bit timer, 4 channels, watchdog timer
 - PWM output circuit
 - 14-bit PWM, 4 channels
 - (2-channel of binary output switch function by PPG)
 - Programmable pattern generator
 - 16-bit output, 64-byte buffer RAM, 1 channel
 - Remote control receive circuit
 - 8-bit pulse measurement counter, 10-stage FIFO
 - Parallel interface
 - External register interface (8-bit parallel bus), 4-chip select
- Interruption
 - 33 factors, 33 vectors, multi-interruption and priority selection possible
- Standby mode
 - Sleep/stop
- Package
 - 100-pin plastic QFP
 - 100-pin plastic LQFP
- Piggy/evaluation chip
 - CXP971000
- Mask ROM
 - CXP974096

Structure

Silicon gate CMOS IC

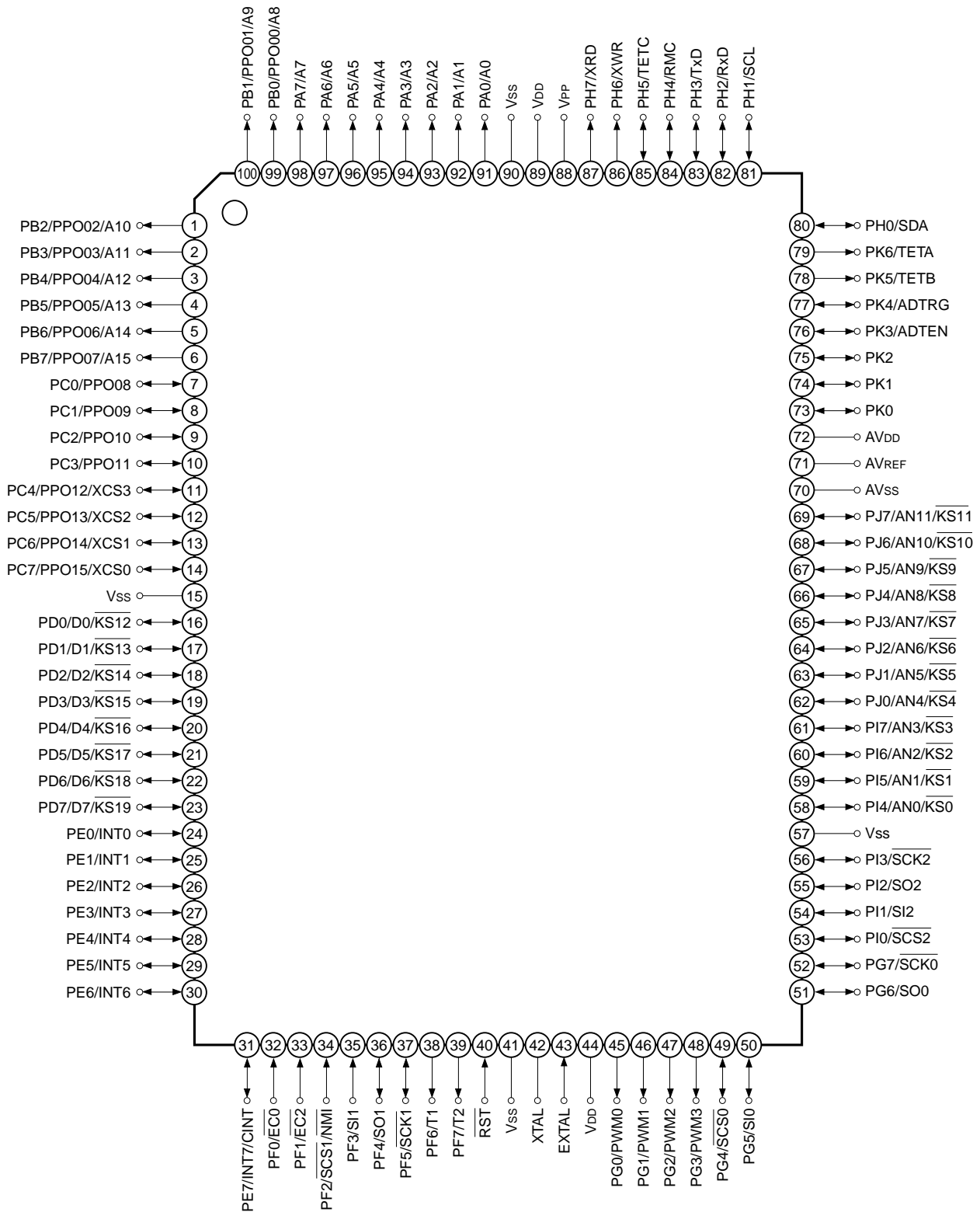
Purchase of Sony's I²C components conveys a licence under the Philips I²C Patent Rights to use these components in an I²C system, provided that the system conforms to the I²C Standard Specifications as defined by Philips.

Sony reserves the right to change products and specifications without prior notice. This information does not convey any license by any implication or otherwise under any patents or other right. Application circuits shown, if any, are typical examples illustrating the operation of the devices. Sony cannot assume responsibility for any problems arising out of the use of these circuits.



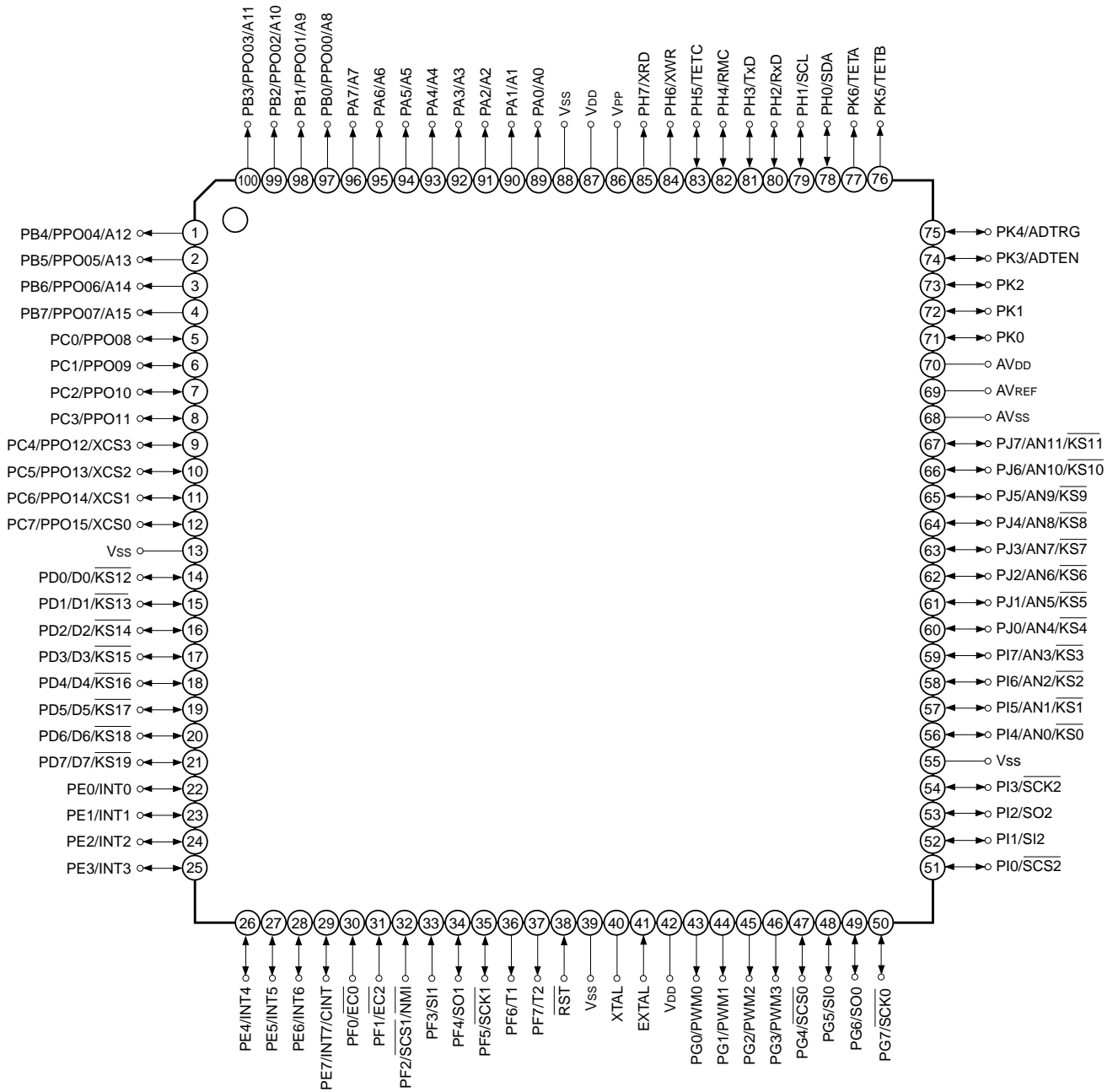
Block Diagram

Pin Assignment 1 (Top View) 100-pin QFP package



- Note**
1. VPP (Pin 88) must be connected to NC for Mask ROM.
 2. Vss and AVss (Pins 15, 41, 57, 70 and 90) must be connected to GND.
 3. VDD and AVDD (Pins 44, 72 and 89) must be connected to VDD.

Pin Assignment 2 (Top View) 100-pin LQFP package



- Note)** 1. VPP (Pin 86) must be connected to NC for Mask ROM.
 2. Vss and AVss (Pins 13, 39, 55, 68 and 88) must be connected to GND.
 3. VDD and AVDD (Pins 42, 70 and 87) must be connected to VDD.

Pin Functions

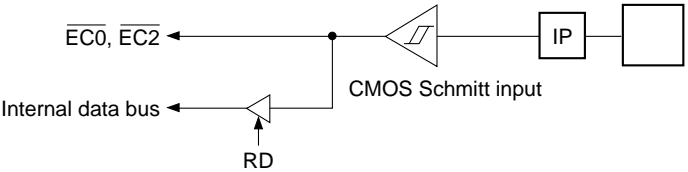
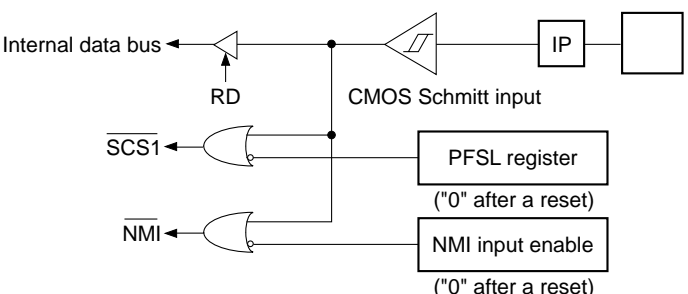
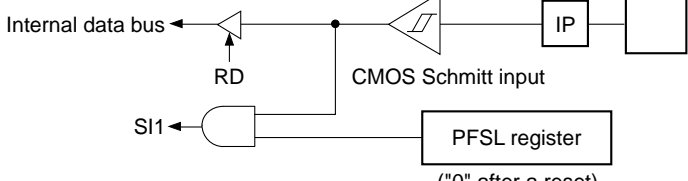
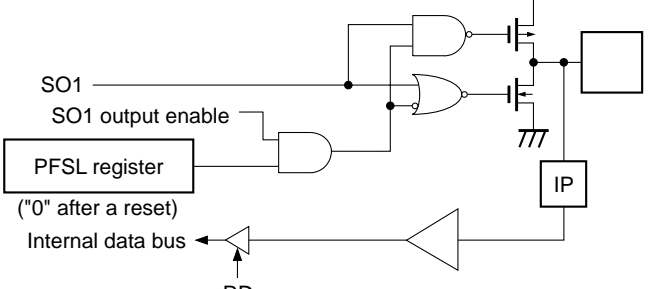
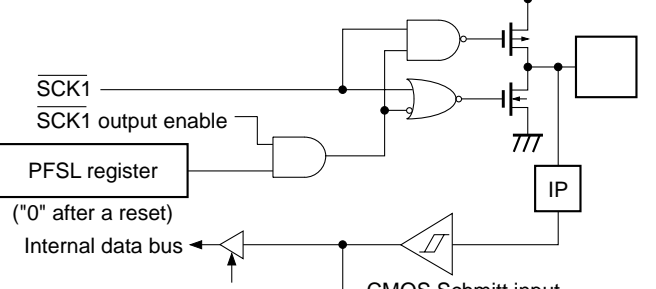
Symbol	I/O	Functions		
PA0/A0 to PA7/A7	Output / Output	(Port A) 8-bit output port. (8 pins)	External register interface address bus port output data value and OR output. (8 pins)	
PB0/PPO00/ A8 to PB7/PPO07/ A15	Output / Output / Output	(Port B) 8-bit output port. PPO value and OR output. (8 pins)	External register interface address bus. Address width can be extended in 1-bit units. (8 pins)	
PC0/PPO08 to PC3/PPO11	I/O / Output	(Port C) 8-bit I/O port. I/O can be specified in 1-bit units. PPO value and OR output. (8 pins)	Programmable pattern generator outputs. (16 pins)	
PC4/PPO12/ XCS3 to PC7/PPO15/ XCS0	I/O / Output / Output		External register interface chip select signal. Chip select signal output function can be selected in 1-bit units. (4 pins)	
PD0/D0/ KS12 to PD7/D7/ KS19	I/O / I/O / Input	(Port D) 8-bit I/O port. I/O can be specified in 1-bit units. (8 pins)	External register interface data bus. (8 pins) Standby release input function can be specified in 1-bit units. (8 pins)	
PE0/INT0 to PE6/INT6	I/O / Input	(Port E) 8-bit I/O port. I/O can be specified in 1-bit units. (8 pins)	External interrupt inputs. (8 pins)	
PE7/INT7/ CINT	I/O / Input / Input		External capture input for 16-bit capture timer/counter.	
PF0/ $\overline{EC0}$ PF1/ $\overline{EC2}$	Input / Input	(Port F) 8-bit port. Lower 6 bits are for input; upper 2 bits are for output. (8 pins)	External event inputs for 8-bit timer/counter. (2 pins)	
PF2/ $\overline{SCS1}$ / NMI	Input / Input / Input		Serial chip select (CH1) input.	Non-maskable external interrupt input.
PF3/SI1	Input / Input		Serial data (CH1) input.	
PF4/SO1	Input / Output		Serial data (CH1) output.	
PF5/ $\overline{SCK1}$	Input / I/O		Serial clock (CH1) I/O.	
PF6/T1	Output / Output		8-bit timer/counter output.	
PF7/T2	Output / Output		16-bit capture timer/counter timing output.	
PG0/PWM0 to PG1/PWM1	Output / Output		(Port G) 8-bit port. Lower 4 bits are for output; upper 4 bits are for I/O. Upper 4 bits can be specified in 1-bit units. (8 pins)	14-bit PWM output with output value switch control by programmable pattern generator. (2 pins)
PG2/PWM2 PG3/PWM3	Output / Output	14-bit PWM output. (2 pins)		
PG4/ $\overline{SCS0}$	I/O / Input	Serial chip select (CH0) input.		
PG5/SI0	I/O / Input	Serial data (CH0) input.		
PG6/SO0	I/O / Output	Serial data (CH0) output.		
PG7/ $\overline{SCK0}$	I/O / I/O	Serial clock (CH0) I/O.		

Symbol	I/O	Functions	
PH0/SDA	Output / I/O	(Port H) 8-bit port. Lower 2 bits are for large current N-ch open drain outputs; medium 4 bits are for I/O; upper 2 bits are for output. Medium 4 bits can be specified in 1-bit units. (8 pins)	I ² C bus interface data I/O.
PH1/SCL	Output / I/O		I ² C bus interface clock I/O.
PH2/RxD	I/O / Input		UART reception data input. (common with data reception during on-board rewrite boot mode)
PH3/TxD	I/O / Output		UART transmission data output. (common with data transmission during on-board rewrite boot mode)
PH4/RMC	I/O / Input		Remote control signal input.
PH5/TETC	I/O / Input		On-board rewrite boot mode setting. (Total 3 pins)
PH6/XWR	Output / Output		External register interface write signal.
PH7/XRD	Output / Output		External register interface read signal.
PI0/SCS2	I/O / Input	(Port I) 8-bit I/O port. I/O can be specified in 1-bit units. (8 pins)	Serial chip select (CH2) input.
PI1/SI2	I/O / Input		Serial data (CH2) input.
PI2/SO2	I/O / Output		Serial data (CH2) output.
PI3/SCK2	I/O / I/O		Serial clock (CH2) I/O.
PI4/AN0/ KS0 to PI7/AN3/ KS3	I/O / Input / Input		Analog input for A/D converter. (12 pins)
PJ0/AN4/ KS4 to PJ7/AN11/ KS11	I/O / Input / Input	(Port J) 8-bit I/O port. I/O can be specified in 1-bit units. (8 pins)	
PK0 to PK2	I/O	(Port K) 7-bit port. Lower 5 bits are for I/O; upper 2 bits are for output. Lower 5 bits can be specified in 1-bit units. (7 pins)	A/D converter operation enable input by external trigger.
PK3/ADTEN	I/O / Input		External trigger input for A/D converter.
PK4/ADTRG	I/O / Input		On-board rewrite boot mode setting. (Total 3 pins)
PK5/TETB	Output / Input		
PK6/TETA	Output / Input		
EXTAL	Input	Connects a crystal for main clock oscillation. (When the clock is supplied externally, input it to EXTAL and input an opposite phase clock to XTAL.)	
XTAL			
RST	Input	System reset. Active at "L" level.	
AVDD		Positive power supply for A/D converter. (Must be the same voltage with VDD.)	
AVREF	Input	Reference voltage input for A/D converter. (Must be the same voltage with VDD.)	
AVSS		GND for A/D converter.	
VPP		Positive power supply for FLASH EEPROM rewrite.	
VDD		Positive power supply. (Connect both VDD pins to positive power supply.)	
VSS		GND (Connect all four Vss pins to GND.)	

I/O Circuit Format for Pins

Pin	Circuit format	After a reset
<p>PA0/A0 to PA7/A7</p>		<p>Hi-Z</p>
<p>PB0/PPO00/A8 to PB7/PPO07/A15</p>		<p>Hi-Z</p>
<p>PC0/PPO08 to PC3/PPO11</p>		<p>Hi-Z</p>

Pin	Circuit format	After a reset
<p>PC4/PPO12/ XCS3 to PC7/PPO15/ XCS0</p>		<p>Hi-Z</p>
<p>PD0/D0/KS12 to PD7/D7/ KS19</p>	<p>* Large current drive 5mA (V_{DD} = 2.7 to 3.6V)</p>	<p>Hi-Z</p>
<p>PE0/INT0 to PE7/INT7/ CINT</p>		<p>Hi-Z</p>

Pin	Circuit format	After a reset
<p>PF0/$\overline{\text{EC0}}$ PF1/$\overline{\text{EC2}}$</p>		<p>Hi-Z</p>
<p>PF2/$\overline{\text{SCS1}}$/ NMI</p>		<p>Hi-Z</p>
<p>PF3/SI1</p>		<p>Hi-Z</p>
<p>PF4/SO1</p>		<p>Hi-Z</p>
<p>PF5/$\overline{\text{SCK1}}$</p>		<p>Hi-Z</p>

Pin	Circuit format	After a reset
PF6/T1	<p>T1</p> <p>1 MPX 0</p> <p>PF register ("1" after a reset)</p> <p>PFSL register ("0" after a reset)</p> <p>Internal data bus</p> <p>RD</p>	"H" level
PF7/T2	<p>T2</p> <p>1 MPX 0</p> <p>PF register ("1" after a reset)</p> <p>PFSL register ("0" after a reset)</p> <p>Internal data bus</p> <p>RD</p> <p>PF register write S Q</p> <p>Reset R</p> <p>* Pull-up transistor approximately 150kΩ (V_{DD} = 2.7 to 3.6V)</p>	"H" level ("H" level at ON resistance of pull-up transistor by a reset.)
PG0/PWM0 to PG3/PWM3	<p>PWM0 to PWM3</p> <p>1 MPX 0</p> <p>PG register (Undefined after a reset)</p> <p>PGSL register ("0" after a reset)</p> <p>Internal data bus</p> <p>RD</p> <p>PG register write S Q</p> <p>Reset R</p>	Hi-Z

Pin	Circuit format	After a reset
<p>PG4/$\overline{SCS0}$</p>		<p>Hi-Z</p>
<p>PG5/SI0</p>		<p>Hi-Z</p>
<p>PG6/SO0</p>		<p>Hi-Z</p>

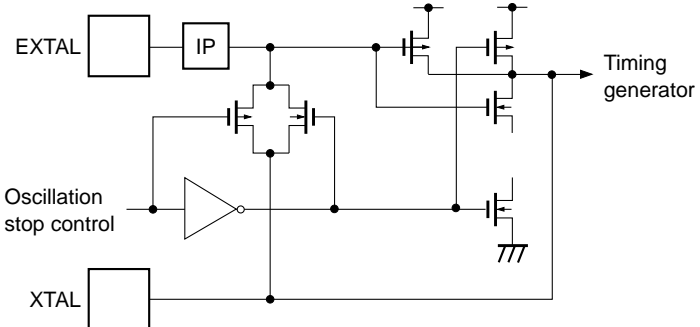
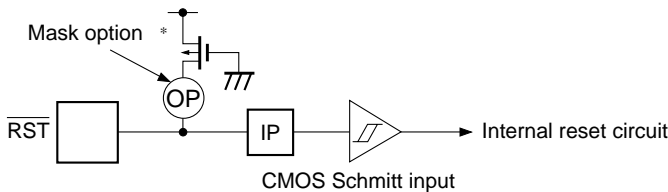
Pin	Circuit format	After a reset
<p>PG7/$\overline{\text{SCK0}}$</p>	<p>$\overline{\text{SCK0}}$</p> <p>PG register (Undefined after a reset)</p> <p>PGSL register ("0" after a reset)</p> <p>$\overline{\text{SCK0}}$ output enable</p> <p>PGD register ("0" after a reset)</p> <p>Internal data bus</p> <p>RD</p> <p>$\overline{\text{SCK0}}$</p> <p>CMOS Schmitt input</p>	<p>Hi-Z</p>
<p>PH0/SDA PH1/SCL</p>	<p>SDA, SCL</p> <p>PH register ("1" after a reset)</p> <p>PHSL register ("0" after a reset)</p> <p>Internal data bus</p> <p>RD</p> <p>SDA, SCL</p> <p>CMOS Schmitt input</p> <p>* Large current drive 5mA ($V_{DD} = 2.7$ to $3.6V$)</p>	<p>Hi-Z</p>
<p>PH2/RxD</p>	<p>PHL register (Undefined after a reset)</p> <p>PHD register ("0" after a reset)</p> <p>Internal data bus</p> <p>RD</p> <p>RxD</p> <p>CMOS Schmitt input</p>	<p>Hi-Z</p>

Pin	Circuit format	After a reset
PH3/TxD		Hi-Z
PH4/RMC		Hi-Z
PH5/TETC		Hi-Z
PH6/XWR PH7/XRD		Hi-Z

Pin	Circuit format	After a reset
<p>PI0/$\overline{\text{SCS2}}$</p>		<p>Hi-Z</p>
<p>PI1/SI2</p>		<p>Hi-Z</p>
<p>PI2/SO2</p>		<p>Hi-Z</p>

Pin	Circuit format	After a reset
<p>PI3/$\overline{\text{SCK2}}$</p>		<p>Hi-Z</p>
<p>PI4/$\overline{\text{AN0/KS0}}$ to PI7/$\overline{\text{AN3/}}$ $\overline{\text{KS3}}$</p>		<p>Hi-Z</p>
<p>PJ0/$\overline{\text{AN4/KS4}}$ to PJ7/$\overline{\text{AN11/}}$ $\overline{\text{KS11}}$</p>		<p>Hi-Z</p>

Pin	Circuit format	After a reset
<p>PK0 to PK2</p>		<p>Hi-Z</p>
<p>PK3/ADTEN PK4/ADTRG</p>		<p>Hi-Z</p>
<p>PK5/TETB</p>		<p>"H" level</p>
<p>PK6/TETA</p>	<p>* Pull-up transistor approximately 150kΩ (V_{DD} = 2.7 to 3.6V)</p>	<p>"H" level ("H" level at ON resistance of pull-up transistor by a reset.)</p>

Pin	Circuit format	After a reset
<p>XTAL EXTAL</p>	 <ul style="list-style-type: none"> • Diagram shows circuit configuration during oscillation. • Feedback resistor is reoved during standby stop mode, and XTAL is driven at "H" level. 	<p>Oscillation</p>
<p>$\overline{\text{RST}}$</p>	 <p>* Pull-up transistor approximately 30kΩ (V_{DD} = 2.7 to 3.6V)</p>	<p>"L" level (during a reset)</p>

Absolute Maximum Ratings

(V_{SS} = 0V reference)

Item	Symbol	Rating	Unit	Remarks
Supply voltage	V _{DD}	-0.3 to +4.6	V	
	AV _{DD}	AV _{SS} to +4.6 ^{*1}	V	
	AV _{REF}	AV _{SS} to +4.6 ^{*1}	V	
	AV _{SS}	-0.3 to +0.3	V	
Input voltage	V _{IN}	-0.3 to +4.6 ^{*2}	V	
Output voltage	V _{OUT}	-0.3 to +4.6 ^{*2}	V	
High level output current	I _{OH}	-5.0	mA	Output (value per pin)
High level total output current	ΣI _{OH}	-50	mA	Total for all output pins
Low level output current	I _{OL}	15.0	mA	All pins excluding large current output pins (value per pin)
	I _{OLC}	20.0	mA	Large current output pins ^{*3} (value per pin)
Low level total output current	ΣI _{OL}	130	mA	Total for all output pins
Operating temperature	T _{opr}	-30 to +85	°C	
Storage temperature	T _{stg}	-55 to +150	°C	
Allowable power dissipation	P _D	600	mW	QFP-100P-L01
		380		LQFP-100P-L01

*1 AV_{DD} and AV_{REF} must be the same voltage with V_{DD}.

*2 V_{IN} and V_{OUT} excluding PH0 and PH1 must not exceed V_{DD} + 0.3V.

*3 The large current drive transistor is N-ch transistor of PD and PH0, PH1.

Note) Usage exceeding absolute maximum ratings may permanently impair the LSI. Normal operation should be conducted under the recommended operating conditions. Exceeding these conditions may adversely affect the reliability of the LSI.

Recommended Operating Conditions

(V_{SS} = 0V reference)

Item	Symbol	Min.	Max.	Unit	Remarks
Supply voltage	V _{DD}	2.7	3.6	V	
		2.0	3.6		Guaranteed data hold range during stop mode
	AV _{DD}	2.7	3.6	V	*1
	AV _{REF}	2.7	3.6	V	*1
High level input voltage	V _{IH}	0.7V _{DD}	V _{DD}	V	*2
	V _{IHS}	0.8V _{DD}	V _{DD}	V	CMOS Schmitt input*3
	V _{IHEX}	V _{DD} - 0.4	V _{DD} + 0.2	V	EXTAL*4
Low level input voltage	V _{IL}	0	0.2V _{DD}	V	
	V _{ILS}	0	0.2V _{DD}	V	CMOS Schmitt input*3
	V _{ILEX}	-0.3	0.4	V	EXTAL*4
Operating temperature	T _{opr}	-30	+85	°C	
	T _{pwe}	0	+50	°C	Recommended operating range of FLASH EEPROM rewrite operation

*1 AV_{DD} and AV_{REF} must be the same voltage with V_{DD}.

*2 PC, PD, PF4, PG6, PH3, PI2, PI4 to PI7, PJ, PK0 to PK2, PWE for normal input port.

*3 \overline{RST} , PE, PF0 to PF3, PF5, PG4, PG5, PG7, PH0 to PH2, PH4, PH5, PI0, PI1, PI3, PK3 and PK4.

*4 Specified only during self-oscillation.

Electrical Characteristics

DC Characteristics 1

(Topr = -30 to +85°C, Vss = 0V reference)

Item	Symbol	Pins	Conditions	Min.	Typ.	Max.	Unit
High level output voltage	V _{OH}	PD to PE, PF6, PF7, PG0 to PG5, PH2, PH4, PH5, PI to PJ, PK0 to PK6	V _{DD} = 3.0V, I _{OH} = -0.15mA	2.70			V
			V _{DD} = 2.7V, I _{OH} = -0.15mA	2.40			
			V _{DD} = 3.0V, I _{OH} = -0.5mA	2.30			V
			V _{DD} = 2.7V, I _{OH} = -0.5mA	2.00			
		PA to PC, PF4, PF5, PG6, PG7, PH3, PH6, PH7, PI2, PI3	V _{DD} = 3.0V, I _{OH} = -1.5mA	2.30			V
			V _{DD} = 2.7V, I _{OH} = -1.5mA	2.00			
Low level output voltage	V _{OL}	PE, PF6, PF7, PG0 to PG5, PH2, PH4, PH5, PI0, PI1, PI4 to PI7, PJ, PK0 to PK6	I _{OL} = 1.2mA			0.30	V
			I _{OL} = 1.6mA			0.50	V
		PA to PC, PF4, PF5, PG6, PG7, PH3, PH6, PH7, PI2, PI3	I _{OL} = 2.0mA			0.30	V
			I _{OL} = 3.0mA			0.50	V
		PD, PH0, PH1	I _{OL} = 5.0mA			1.00	V
Input current	I _{IHE}	EXTAL	V _{DD} = 3.6V, V _{IH} = 3.6V	0.3		61	μA
	I _{ILE}		V _{DD} = 3.6V, V _{IL} = 0.3V	-0.3		-61	μA
	I _{ILR}	RST*1	V _{DD} = 3.6V, V _{IL} = 0.3V	-0.9		-250	μA
I/O leakage current	I _{Iz}	PA to PJ, PK0 to PK6, RST*1	V _{DD} = 3.6V, V _I = 0, 3.6V			±31	μA
Open drain output leakage current (N-ch Tr. off-state)	I _{LOH}	PH0, PH1	V _{DD} = 3.6V, V _{IH} = 3.6V			31	μA

*1 $\overline{\text{RST}}$ specifies the input current when pull-up resistor has been selected; the leakage current when no resistor has been selected.

DC Characteristics 2

(Topr = -30 to +85°C, Vss = 0V reference)

Item	Symbol	Pins	Conditions	Min.	Typ.	Max.	Unit
Supply current*1	I _{DD1} ^{*2}	V _{DD} , V _{SS}	V _{DD} = 3.3 ± 0.3V, f _{EX} = f _{src} = 40MHz, External clock operation A/D off state, PLL off state		65	75	mA
	I _{DDS2} ^{*2}	V _{DD} , V _{SS}	V _{DD} = 3.3 ± 0.3V, f _{EX} = f _{src} = 40MHz, External clock operation A/D off state, PLL off state, sleep mode		26	30	mA
	I _{DDS3}	V _{DD} , V _{SS}	V _{DD} = 3.6V, stop mode			500	μA
		85°C or less					
		75°C or less				350	
						100	

*1 When all output pins are open.

*2 When the upper two bits (PCK1, PCK0) of the clock control register (CLC: 0002FEh) are set to "00" and the LSI is operated in high-speed mode (1/2 frequency dividing clock).

I/O Capacitance

Item	Symbol	Pins	Conditions	Min.	Typ.	Max.	Unit
Input capacitance	C _{IN}	PF0 to PF3, EXTAL, RST	Clock 1MHz, 0V for all pins excluding measured pins		10	20	pF
Output capacitance	C _{OUT}	PA to PB, PF6, PF7, PG0 to PG3, PH6, PH7, PK5, PK6, XTAL	Clock 1MHz, 0V for all pins excluding measured pins		10	20	pF
I/O capacitance	C _{I/O}	PC to PE, PF4, PF5, PG4 to PG7, PH0 to PH5, PI to PJ, PK0 to PK4	Clock 1MHz, 0V for all pins excluding measured pins		10	20	pF

AC Characteristics

(1) Clock timing

(Topr = -30 to +85°C, VDD = 2.7 to 3.6 V, VSS = 0V reference)

Item	Symbol	Pins	Conditions	Min.	Typ.	Max.	Unit
Main clock base oscillation frequency	fEX	EXTAL, XTAL	Fig.1, Fig.2	VDD = 3.3 ± 0.3V	9.5	34.5	MHz
				VDD = 3.0 ± 0.3V	9.5	31.0	
			Fig.1, Fig.2 -30 to +75°C	VDD = 3.3 ± 0.3V	9.5	35.5	MHz
				VDD = 3.0 ± 0.3V	9.5	32.5	
			Fig.1, Fig.2 -30 to +50°C	VDD = 3.3 ± 0.3V	9.5	38.5	MHz
				VDD = 3.0 ± 0.3V	9.5	35.0	
Main clock base oscillation input pulse width	tXH	EXTAL, XTAL	fEX = 40.0MHz Fig.1, Fig.2 External clock drive	4.0			ns
	tXL						
	tXH		fEX = 33.86MHz Fig.1, Fig.2 External clock drive	4.0			ns
	tXL						
	tXH		fEX = 20.0MHz Fig.1, Fig.2 External clock drive	11			ns
	tXL						
Main clock base oscillation input rise time, fall time	tXR	EXTAL, XTAL	fEX = 40.0MHz Fig.1, Fig.2 External clock drive			8.5	ns
	tXF						
	tXR		fEX = 33.86MHz Fig.1, Fig.2 External clock drive			10.5	ns
	tXF						
	tXR		fEX = 20.0MHz Fig.1, Fig.2 External clock drive			14	ns
	tXF						
Main clock duty	duty	XTAL	Fig.1, Fig.2 1/2 VDD point	40	50	60	%

Note) tsys indicates the four values below according to the upper two bits (PCK1, PCK0) of the clock control register (CLC: 0002FEh).

tsys [ns] = 2/fEX (PCK1, PCK0 = 00), 4/fEX (PCK1, PCK0 = 01), 8/fEX (PCK1, PCK0 = 10), 16/fEX (PCK1, PCK0 = 11)

(2) Event count input

(Topr = -30 to +85°C, VDD = 2.7 to 3.6V, VSS = 0V reference)

Item	Symbol	Pins	Conditions	Min.	Max.	Unit
Event count input clock pulse width	t _{EH} , t _{EL}	$\overline{EC0}$, $\overline{EC2}$	Fig. 3	t _{sys} + 100		ns

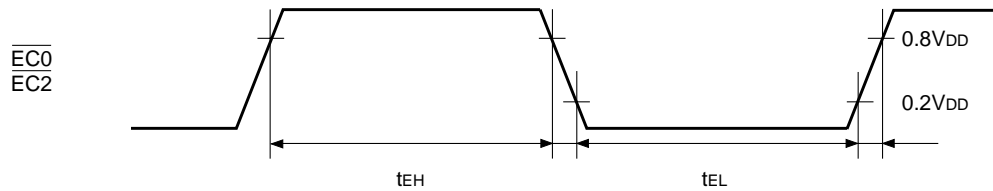


Fig. 3. Event count input timing

(3) Interruption and reset input

(Topr = -30 to +85°C, VDD = 2.7 to 3.6V, VSS = 0V reference)

Item	Symbol	Pins	Conditions	Min.	Max.	Unit
External interruption high, low level width	t _{IH} , t _{IL}	\overline{NMI} , INT0 to INT7, KS0 to KS19	Main mode Sleep mode Fig. 4	t _{sys} + 100		ns
			Noise filter selected Fig. 4			
		INT4 to INT7	PS4	32/f _{EX} + 100		
			PS6	128/f _{EX} + 100		
Reset input low level width	t _{RST}	\overline{RST}	Fig. 5	50/f _{EX}		ns

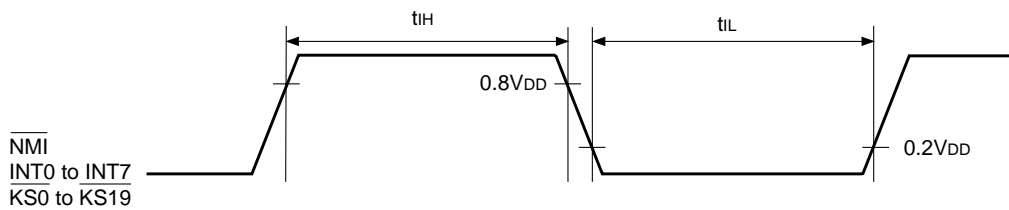


Fig. 4. Interruption input timing

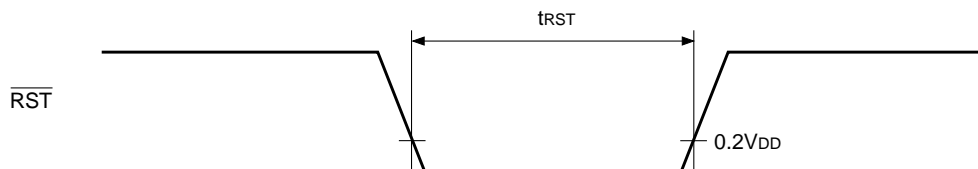


Fig. 5. Reset input timing

(4) A/D converter characteristics

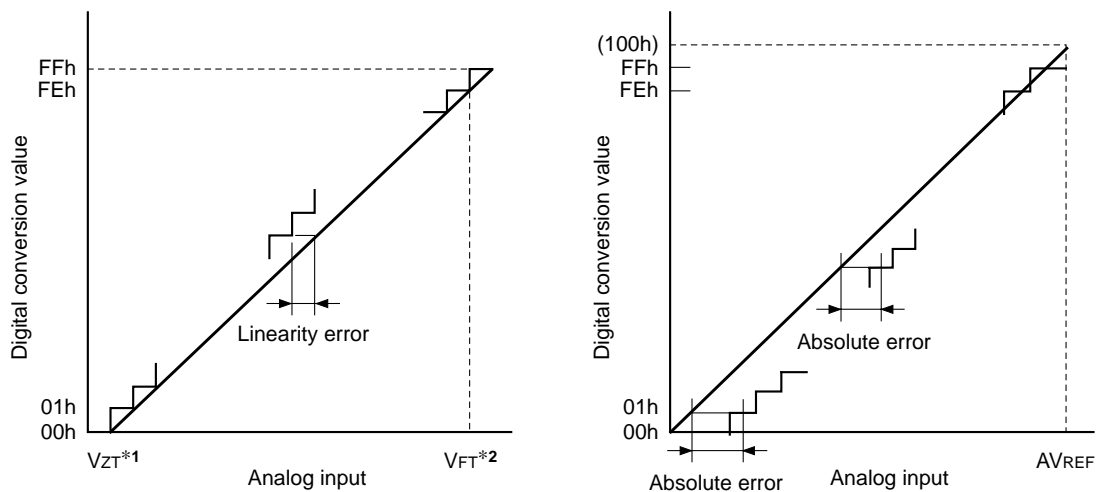
(Topr = -30 to +85°C, VDD = AVDD = AVREF = 2.7 to 3.6V, VSS = AVSS = 0V reference)

Item	Symbol	Pins	Conditions	Min.	Typ.	Max.	Unit
Resolution						8	Bits
Linearity error			VDD = AVDD = AVREF = 3.0V			±1	LSB
Absolute error						±3	LSB
Conversion time	tCONV			34tsys			ns
			*1	62tsys			ns
Sampling time	tsAMP			10tsys			ns
			*1	20tsys			ns
Reference input voltage	VREF	AVREF	VDD = AVDD = AVREF	2.7		3.6	V
Analog input voltage		AN0 to AN11		0		AVREF	V
AVREF current	IREF	AVREF	Main mode	VDD = 3.3 ± 0.3V fsRC = 40MHz	1.5	2.1	mA
				VDD = 3.3 ± 0.3V fsRC = 20MHz	1.2	1.7	mA
	IREFS		ADC off state*2 Stop mode			12	µA

*1 When Bit 6 (ADCK) of A/D control status register (ADCS: 000132h) is specified to "1".

*2 When Bit 5 (ADPC) of A/D control status register (ADCS: 000132h) is specified to "1".

Note) AVDD and AVREF must be the same voltage with VDD.



*1 VZT: Value at which the digital conversion value changes from 00h to 01h and vice versa.

*2 VFT: Value at which the digital conversion value changes from FEh to FFh and vice versa.

Fig. 6. Definition of A/D converter terms

(5) Serial transfer (CH0, CH1, CH2) (Topr = -30 to +85°C, VDD = 2.7 to 3.6V, VSS = 0V reference)

Item	Symbol	Pins	Conditions	Min.	Max.	Unit		
$\overline{CS} \downarrow \rightarrow \overline{SCK}$ delay time	t_{DCSK}	$\overline{SCK0}$, $\overline{SCK1}$, $\overline{SCK2}$	External start transfer mode (SCK = output mode)	VDD = 3.3 ± 0.3V		1.5tsys + 200	ns	
				VDD = 3.0 ± 0.3V		1.5tsys + 210	ns	
$\overline{CS} \uparrow \rightarrow \overline{SCK}$ float delay time	t_{DSKF}	$\overline{SCK0}$, $\overline{SCK1}$, $\overline{SCK2}$		VDD = 3.3 ± 0.3V		1.5tsys + 200	ns	
				VDD = 3.0 ± 0.3V		1.5tsys + 210	ns	
$\overline{CS} \downarrow \rightarrow \overline{SO}$ delay time	t_{DCSO}	SO0, SO1, SO2	External start transfer mode	VDD = 3.3 ± 0.3V		1.5tsys + 200	ns	
				VDD = 3.0 ± 0.3V		1.5tsys + 210	ns	
$\overline{CS} \uparrow \rightarrow \overline{SO}$ float delay time	t_{DCSOF}	$\overline{SCS0}$, $\overline{SCS1}$, $\overline{SCS2}$		VDD = 3.3 ± 0.3V		1.5tsys + 200	ns	
				VDD = 3.0 ± 0.3V		1.5tsys + 210	ns	
\overline{CS} high level width	t_{WHCS}	$\overline{SCS0}$, $\overline{SCS1}$, $\overline{SCS2}$	External start transfer mode	VDD = 3.3 ± 0.3V	tsys + 100		ns	
				VDD = 3.0 ± 0.3V	tsys + 110		ns	
\overline{SCK} cycle time	t_{KCY}	$\overline{SCK0}$, $\overline{SCK1}$, $\overline{SCK2}$		Input mode	VDD = 3.3 ± 0.3V	2tsys + 200		ns
					VDD = 3.0 ± 0.3V	2tsys + 210		ns
			Output mode	VDD = 3.3 ± 0.3V	16/fEX		ns	
				VDD = 3.0 ± 0.3V	16/fEX		ns	
\overline{SCK} high, low pulse width	t_{KH} , t_{KL}	$\overline{SCK0}$, $\overline{SCK1}$, $\overline{SCK2}$	Input mode	VDD = 3.3 ± 0.3V	tsys + 100		ns	
				VDD = 3.0 ± 0.3V	tsys + 110		ns	
			Output mode	VDD = 3.3 ± 0.3V	8/fEX - 100		ns	
				VDD = 3.0 ± 0.3V	8/fEX - 110		ns	
SI input data setup time (for $\overline{SCK} \uparrow$)	t_{SIK}	SI0, SI1, SI2	\overline{SCK} input mode	VDD = 3.3 ± 0.3V	100		ns	
				VDD = 3.0 ± 0.3V	110		ns	
			\overline{SCK} output mode	VDD = 3.3 ± 0.3V	200		ns	
				VDD = 3.0 ± 0.3V	210		ns	
SI input data hold time (for $\overline{SCK} \uparrow$)	t_{KSI}	SI0, SI1, SI2	\overline{SCK} input mode	VDD = 3.3 ± 0.3V	2tsys + 100		ns	
				VDD = 3.0 ± 0.3V	2tsys + 110		ns	
			\overline{SCK} output mode	VDD = 3.3 ± 0.3V	100		ns	
				VDD = 3.0 ± 0.3V	110		ns	
$\overline{SCK} \downarrow \rightarrow \overline{SO}$ delay time	t_{KSO}	SO0, SO1, SO2	\overline{SCK} input mode	VDD = 3.3 ± 0.3V		2tsys + 150	ns	
				VDD = 3.0 ± 0.3V		2tsys + 160	ns	
			\overline{SCK} output mode	VDD = 3.3 ± 0.3V		100	ns	
				VDD = 3.0 ± 0.3V		110	ns	
Minimum interval time	t_{INT}	$\overline{SCK0}$, $\overline{SCK1}$, $\overline{SCK2}$	\overline{SCK} input mode	VDD = 3.3 ± 0.3V	3tsys + 100		ns	
				VDD = 3.0 ± 0.3V	3tsys + 110		ns	
			\overline{SCK} output mode	VDD = 3.3 ± 0.3V	8/fEX - 100		ns	
				VDD = 3.0 ± 0.3V	8/fEX - 110		ns	

Note) The load condition for the \overline{SCK} output mode and SO output delay time is 100pF.

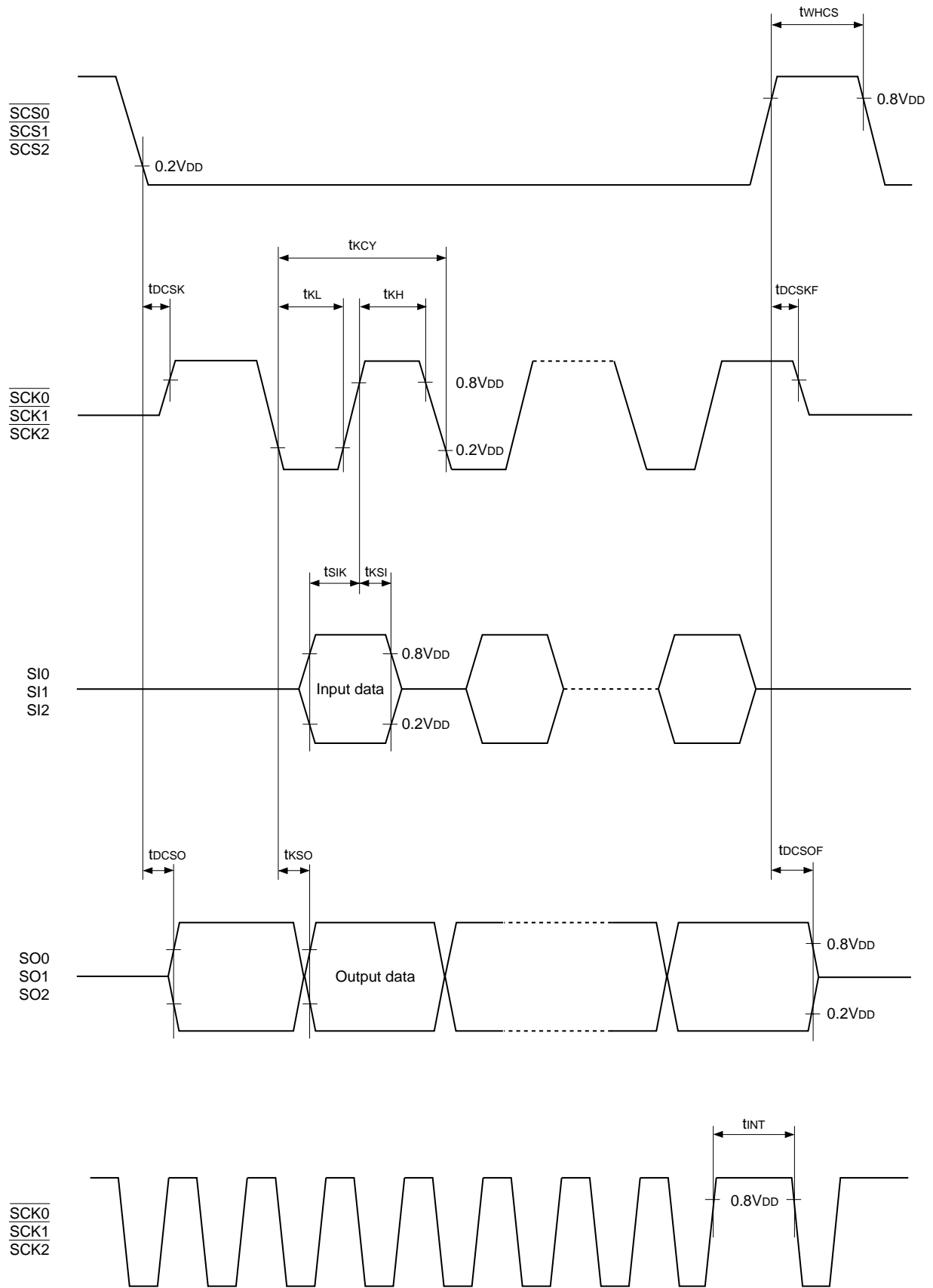


Fig. 7. Serial transfer CH0, CH1, CH2 timing

(6) I²C bus

(Topr = -30 to +85°C, V_{DD} = 2.7 to 3.6V, V_{SS} = 0V reference)

Item	Symbol	Pins	Standard mode		High-speed mode		Unit
			Min.	Max.	Min.	Max.	
SCK clock frequency	t _{SCL}	SCL		100		400	kHz
Bus free time between stop and start conditions	t _{BUF}	SDA	4.7		1.3		μs
Hold time under (resend) start condition	t _{HD;STA}	SDA, SCL	4.0		0.6		μs
Hold time in SCL clock low state	t _{Low}	SCL	4.7		1.3		μs
Hold time in SCL clock high state	t _{High}	SCL	4.0		0.6		μs
Setup time under (resend) start condition	t _{SU;STA}	SDA, SCL	4.7		0.6		μs
Data hold time	t _{HD;DAT}	SDA, SCL	0		0	0.9	μs
Data setup time	t _{SU;DAT}	SDA, SCL	250		100		ns
SCL, SDA signal output rise time	t _{Rd} , t _{Rc}	SDA, SCL		1000	20 + α*1	300	ns
SCL, SDA signal output fall time	t _{Fd} , t _{Fc}	SDA, SCL		300	20 + α*1	300	ns
Setup time under stop condition	t _{SU;STO}	SDA, SCL	4.0		0.6		μs

*1 Due to the total capacitance of the bus.

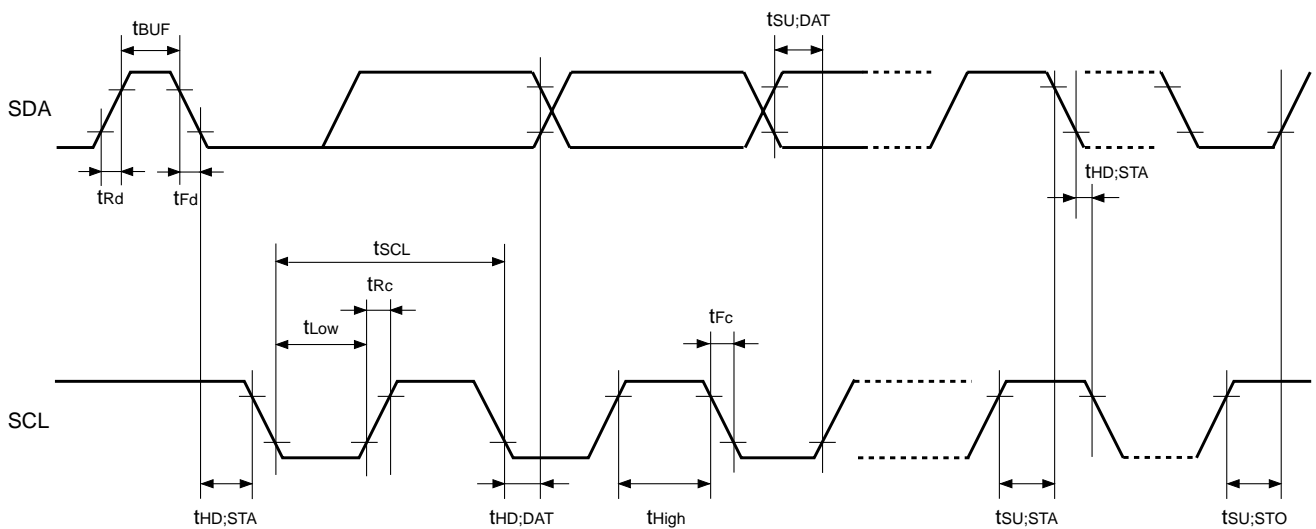


Fig. 8. I²C bus timing

(7) Remote control reception

(Topr = -30 to +85°C, V_{DD} = 2.7 to 3.6V, V_{SS} = 0V reference)

Item	Symbol	Pins	Conditions	Typ.	Max.	Unit	
Remote control receive high, low level width	t _{RMC}	RMC	Main mode	PS5 selected		ns	
				PS7 selected	128/f _{EX} + 100		
				PS9 selected	512/f _{EX} + 100		2048/f _{EX} + 100

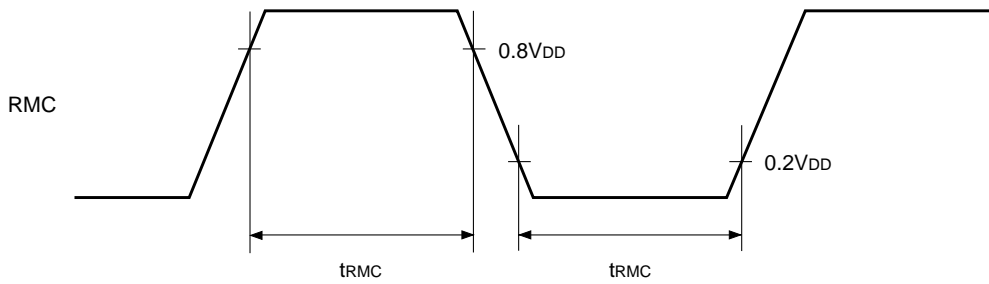


Fig. 9. Remote control signal input timing

(8) External register interface

(V_{SS} = 0V reference)

Item	Symbol	3.3 ± 0.3V T _{opr} = -20 to +75°C		3.3 ± 0.3V T _{opr} = -30 to +85°C		3.0 ± 0.3V T _{opr} = -30 to +85°C		Unit
		Min.	Max.	Min.	Max.	Min.	Max.	
Chip select pulse width 1	t _{CS1}	1.5t _{sys} -20	1.5t _{sys}	1.5t _{sys} -20	1.5t _{sys}	1.5t _{sys} -30	1.5t _{sys}	ns
Chip select pulse width 2	t _{CS2}	2.5t _{sys} -20	16.5t _{sys}	2.5t _{sys} -20	16.5t _{sys}	2.5t _{sys} -30	16.5t _{sys}	ns
Chip select pulse width 3	t _{CS3}	2.5t _{sys} -20	32.5t _{sys}	2.5t _{sys} -20	32.5t _{sys}	2.5t _{sys} -30	32.5t _{sys}	ns
Chip select pulse width 4	t _{CS4}	3.5t _{sys} -20	33.5t _{sys}	3.5t _{sys} -20	33.5t _{sys}	3.5t _{sys} -30	33.5t _{sys}	ns
Chip select pulse width 5	t _{CS5}	2.5t _{sys} -20	17.5t _{sys}	2.5t _{sys} -20	17.5t _{sys}	2.5t _{sys} -30	17.5t _{sys}	ns
Chip select pulse width 6	t _{CS6}	3.5t _{sys} -20	18.5t _{sys}	3.5t _{sys} -20	18.5t _{sys}	3.5t _{sys} -30	18.5t _{sys}	ns
Chip select pulse width 7	t _{CS7}	4.5t _{sys} -20	34.5t _{sys}	4.5t _{sys} -20	34.5t _{sys}	4.5t _{sys} -30	34.5t _{sys}	ns
Read/write strobe pulse width 1	t _{RW1}	t _{sys} - 25	t _{sys}	t _{sys} - 25	t _{sys}	t _{sys} - 35	t _{sys}	ns
Read/write strobe pulse width 2	t _{RW2}	2t _{sys} - 25	16t _{sys}	2t _{sys} - 25	16t _{sys}	2t _{sys} - 35	16t _{sys}	ns
Read/write strobe pulse width 3	t _{RW3}	2t _{sys} - 25	32t _{sys}	2t _{sys} - 25	32t _{sys}	2t _{sys} - 35	32t _{sys}	ns
Address setting time 1	t _{AS1}	t _{sys} /2 -25	t _{sys} /2	t _{sys} /2 -25	t _{sys} /2	t _{sys} /2 -35	t _{sys} /2	ns
Address setting time 2	t _{AS2}	1.5t _{sys} -25	1.5t _{sys}	1.5t _{sys} -25	1.5t _{sys}	1.5t _{sys} -35	1.5t _{sys}	ns
Address hold time	t _{AH}	t _{sys} /2 -25	—	t _{sys} /2 -25	—	t _{sys} /2 -35	—	ns
Read data setting request time	t _{DS1}	15	—	15	—	20	—	ns
Read data hold request time	t _{DH1}	0	—	0	—	0	—	ns
Write data setting time 1	t _{DS2}	1.5t _{sys} -25	1.5t _{sys}	1.5t _{sys} -25	1.5t _{sys}	1.5t _{sys} -35	1.5t _{sys}	ns
Write data setting time 2	t _{DS3}	2.5t _{sys} -25	16.5t _{sys}	2.5t _{sys} -25	16.5t _{sys}	2.5t _{sys} -35	16.5t _{sys}	ns
Write data hold time	t _{DH2}	t _{sys} /2 -25	t _{sys} /2 +30	t _{sys} /2 -25	t _{sys} /2 +30	t _{sys} /2 -35	t _{sys} /2 +30	ns

Read Timing

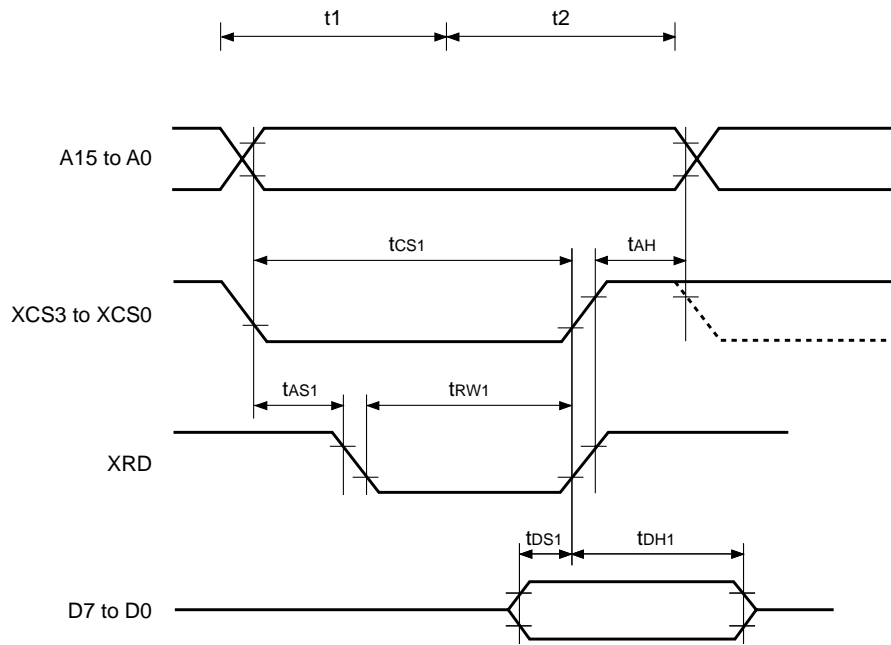


Fig. 10. Byte read (without programmable wait)

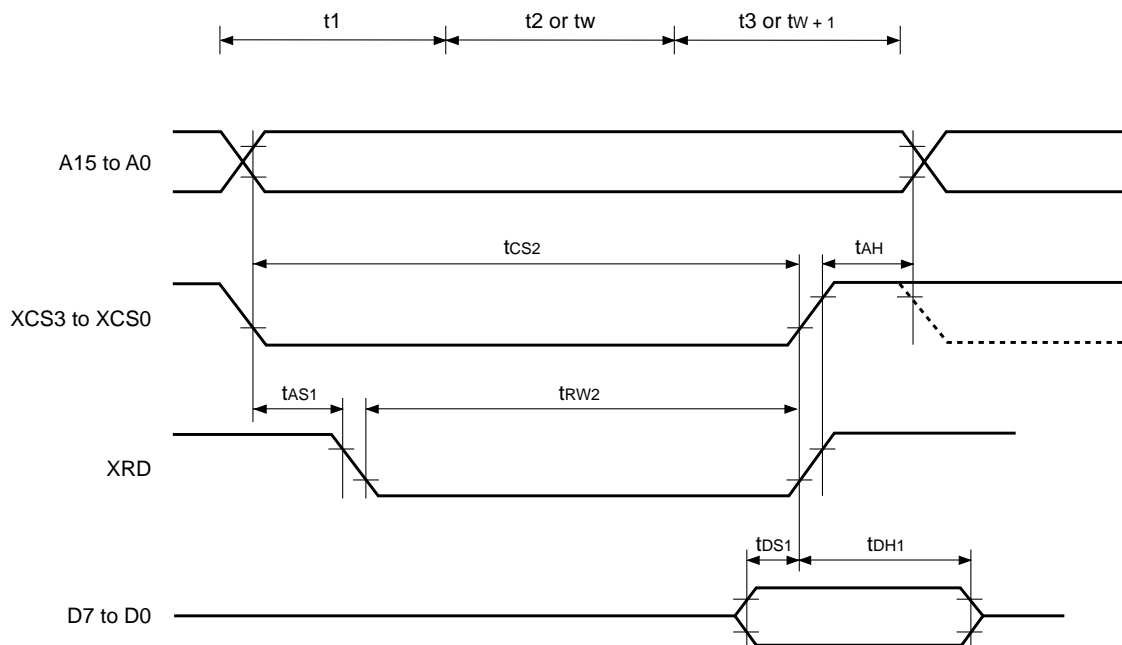


Fig. 11. Byte read (with programmable wait)

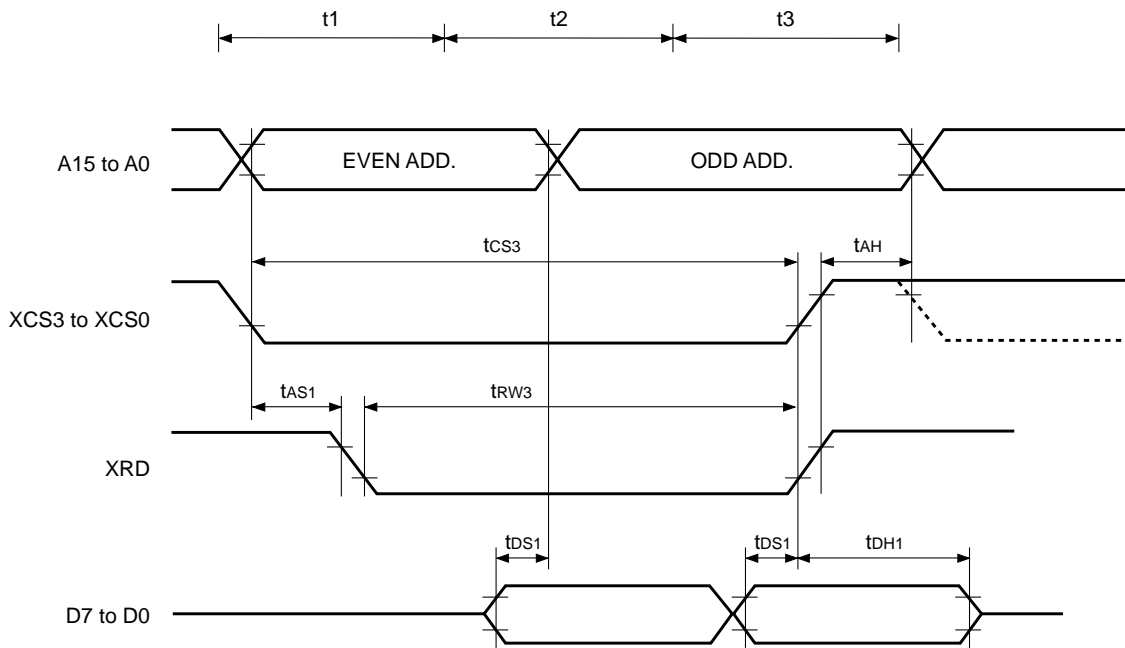


Fig. 12. Word read (no strobe mode, without programmable wait)

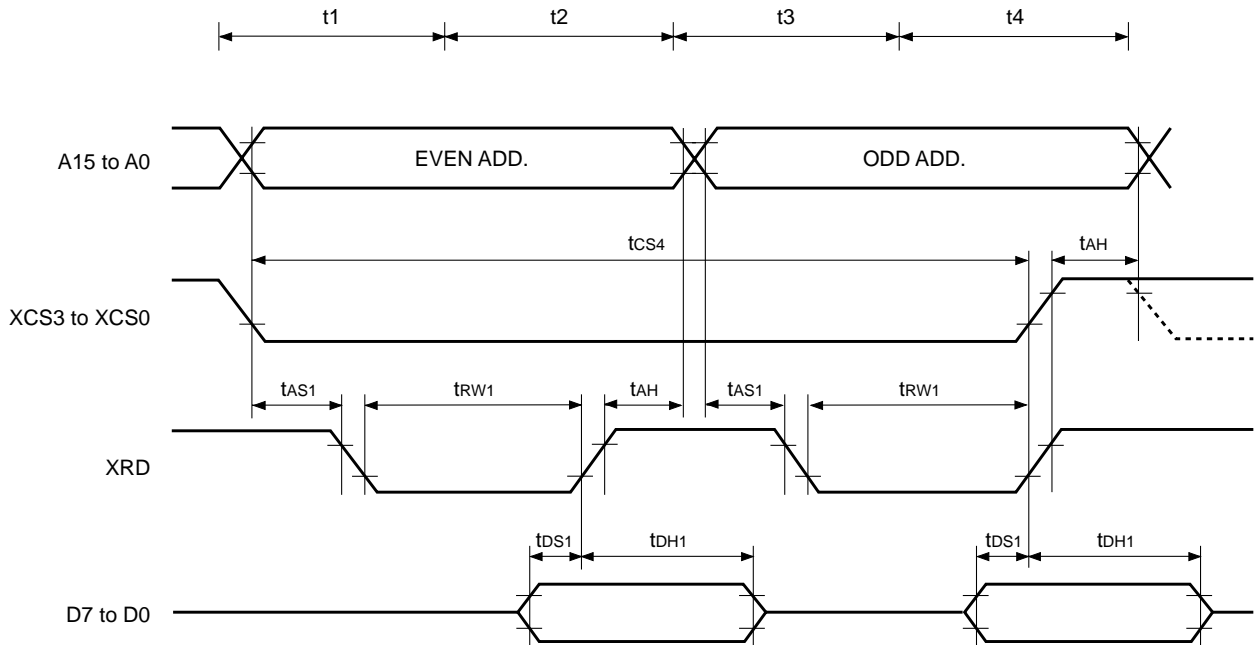


Fig. 13. Word read (strobe mode, without programmable wait)

Write Timing

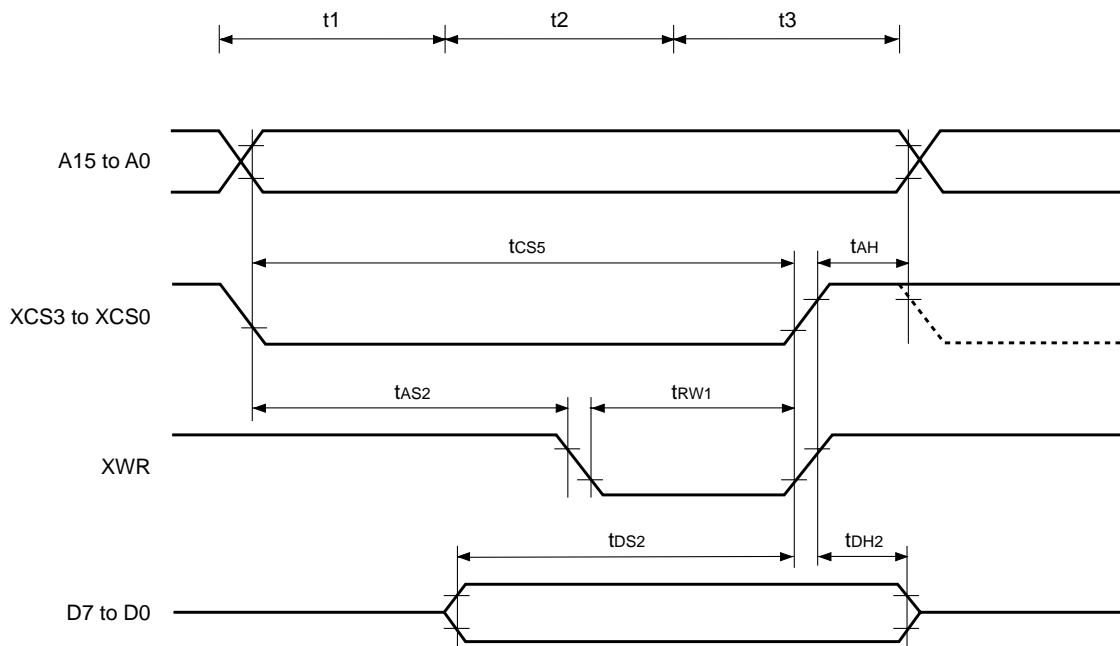


Fig. 14. Byte write (without programmable wait)

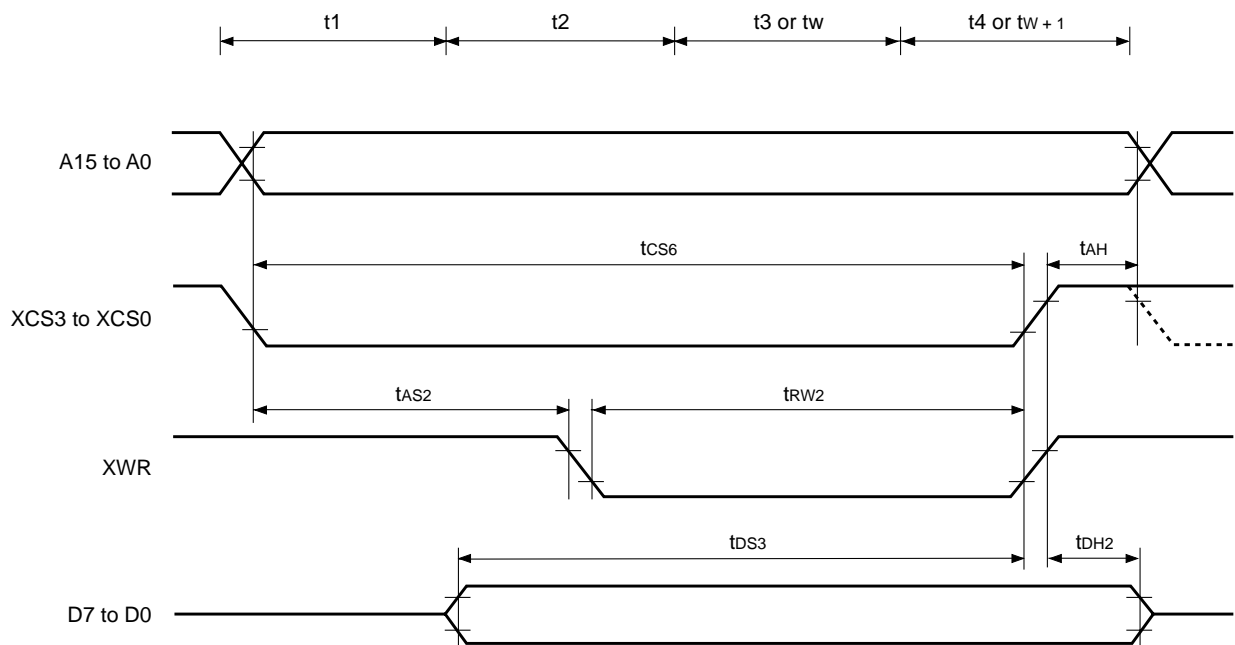


Fig. 15. Byte write (with programmable wait)

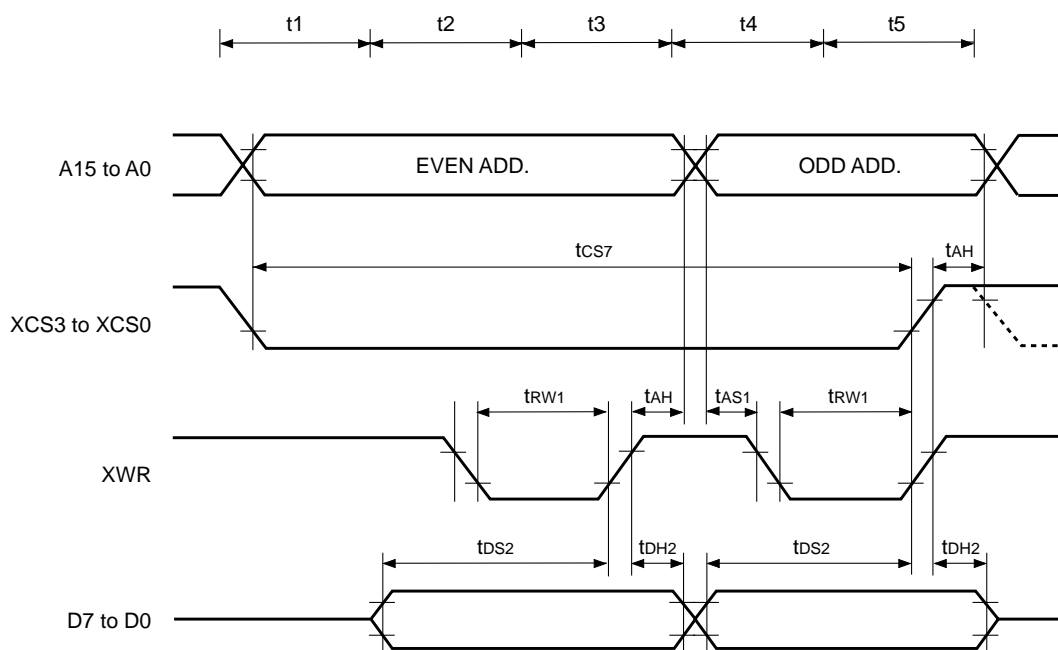


Fig. 16. Word write (without programmable wait)

Appendix

SPC970 Series recommended oscillation circuit and oscillator

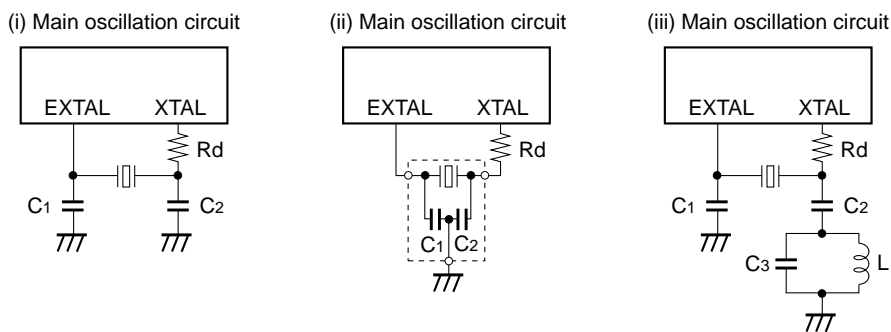


Fig. 17. Recommended oscillation circuit

Manufacturer	Model	fEX (MHz)	C1 (pF)	C2 (pF)	Rd (Ω)	Circuit example	Remarks
MURATA MFG CO., LTD.	CSA6.00MG040	6.0	100	100	0	(i)	
	CSA8.00MTZ	8.0	30	30	0		
	CSA10.0MTZ	10.0	30	30	0		
	CSA12.0MTZ	12.0	30	30	0		
	CSA16.00MXZ040	16.0	15	15	0		
	CSA20.00MXZ040	20.0	10	10	0		
	CSA24.00MXZ040	24.0	7	7	0		
	CST6.00MGW040*	6.0	100	100	0	(ii)	
	CST8.00MTW*	8.0	30	30	0		
	CST10.0MTW*	10.0	30	30	0		
	CST12.0MTW*	12.0	30	30	0		
CST16.00MXW0C3*	16.0	15	15	0			
RIVER ELETEC CO., LTD.	HC-49/U03	6.0	18	18	560	(i)	CL = 13.5pF
		8.0	15	15	330		CL = 12pF
		10.0	10	10	330		CL = 9.5pF
		12.0	10	10	220		CL = 10pF

* Indicates types with on-chip grounding capacitor (C1, C2).

CL: Load capacitor

Manufacturer	Model	f _{EX} (MHz)	C ₁ (pF)	C ₂ (pF)	R _d (Ω)	Circuit example	Remarks
KINSEKI LTD.	HC-49/U-S	6.0	15	15	5.6k	(i)	CL = 16pF
		8.0	15	15	3.0k		
		10.0	10	10	1.8k		
		12.0	12	12	1.0k		
		16.0	12	12	470		
		20.0	12	12	390		
		24.0	12	12	200		
		28.0	1	1	100		
	HC-49/U	32.0	3	0.01μF	0	(iii)	C3 = 10pF, L = 2.7μH
		36.0	3	0.01μF	0		C3 = 5pF, L = 2.7μH
40.0		1	0.01μF	0	C3 = 3pF, L = 3.3μH		
TDK Corporation	CCR6.0MC5*	6.0	36 (±20%)	36 (±20%)	0	(ii)	
	CCR12.0MSC5*	12.0	20 (±20%)	20 (±20%)	0		
	CCR16.0MSC6*	16.0	10 (±20%)	10 (±20%)	0		
	CCR28.0MSC6*	28.0	10 (±20%)	10 (±20%)	0		
	CCR40.0MS6	40.0	5	5	0	(i)	

* Indicates types with on-chip grounding capacitor (C₁, C₂).

CCR***: Surface mounted type ceramic oscillator

CL: Load capacitor

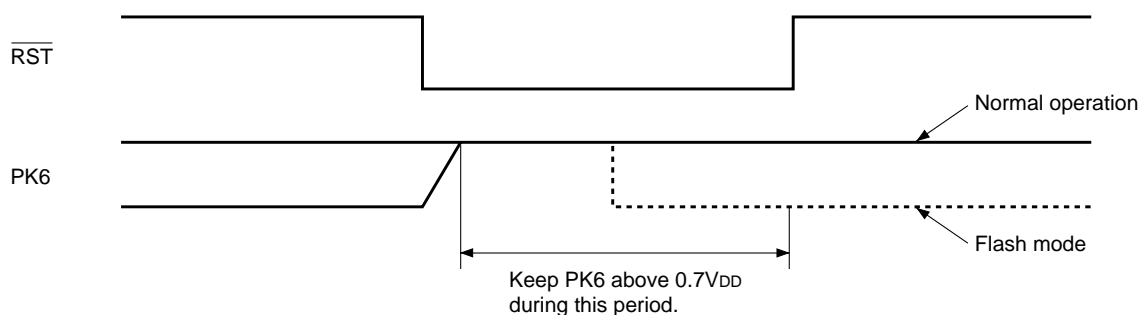
Product List

Type	FLASH EEPROM incorporated version
Product name	CXP974F096Q-1, CXP974F096R-1
FLASH EEPROM capacitance	384K byte
RAM capacitance	23.5K byte
Package	100-pin plastic QFP, 100-pin plastic LQFP
Main clock base oscillation frequency	40MHz
Reset pin pull-up resistor	Existent

Notes on PK6 Usage

FLASH EEPROM incorporated PK6 is also used as flash mode setting function. Note the followings:

1. "H" is output to PK6 during a reset. That is driven at comparatively high impedance (approximately 150k Ω), and take care that V_{OH} should not fall under $0.7V_{DD}$ by the partial pressure with external circuit load impedance.
2. When using software reset functions, PK6 may not rise enough during a reset. Switching PK6 to "H" output prior to software reset execution or connecting pull-up resistor is recommended.

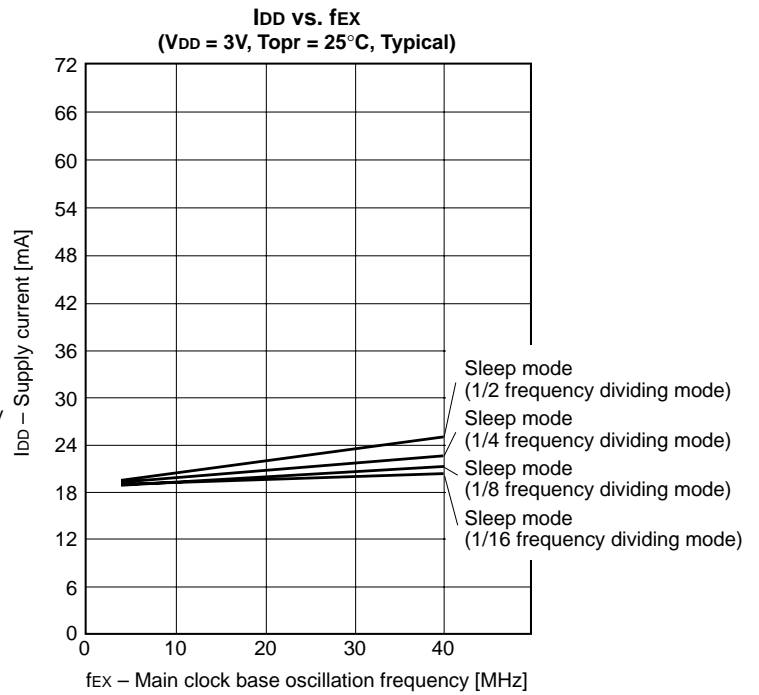
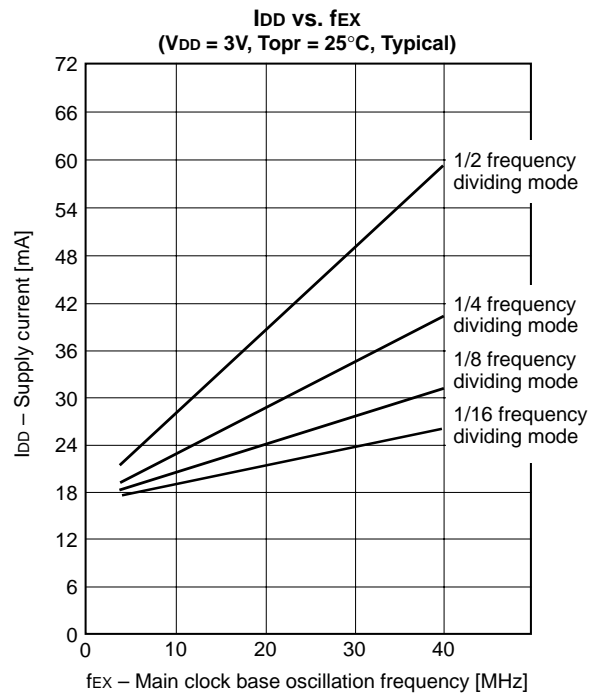
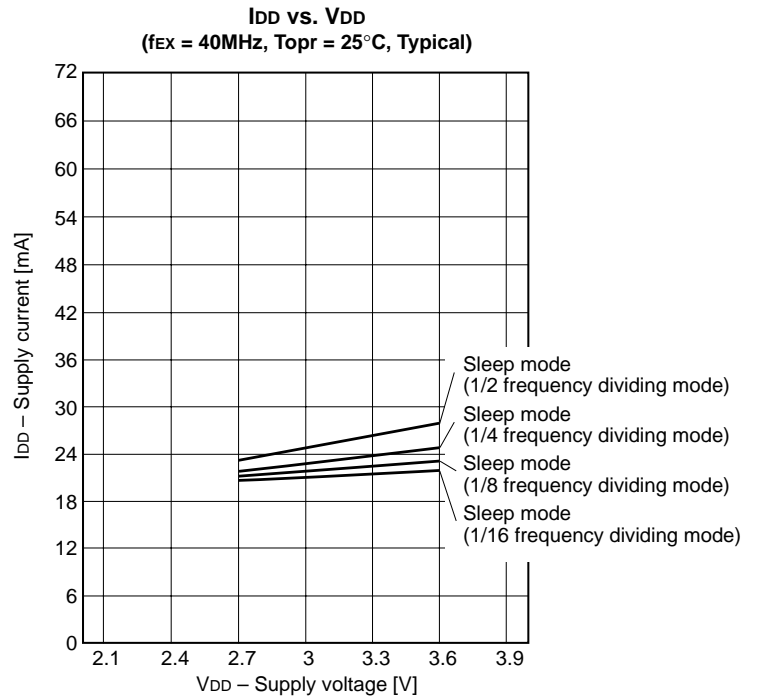
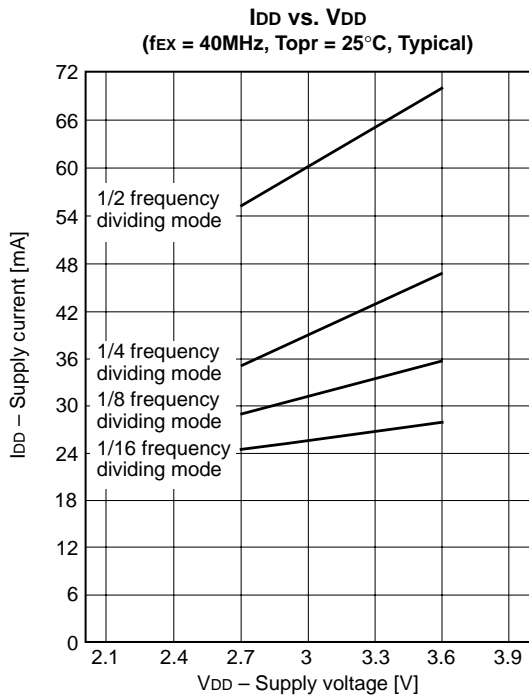


Mask ROM and piggy/evaluation chip do not have flash mode setting function. Considering that FLASH EEPROM incorporated type is used, above countermeasure should be performed.

Limits on Usage of FLASH EEPROM incorporated Type

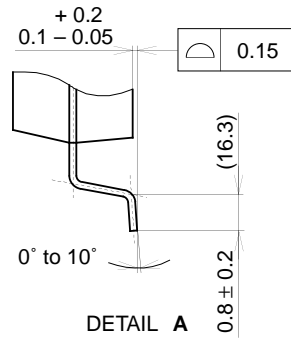
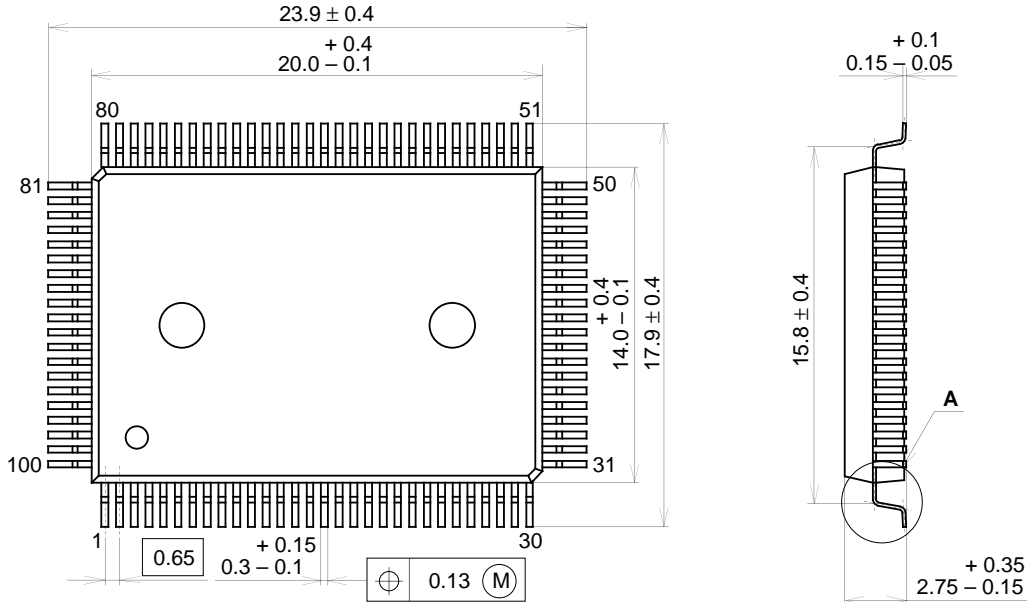
The main clock doubler circuit is not guaranteed to operate.

Characteristics Curve



Package Outline Unit: mm

100PIN QFP (PLASTIC)



PACKAGE STRUCTURE

PACKAGE MATERIAL	EPOXY RESIN
LEAD TREATMENT	SOLDER PLATING
LEAD MATERIAL	42/COPPER ALLOY
PACKAGE MASS	1.7g

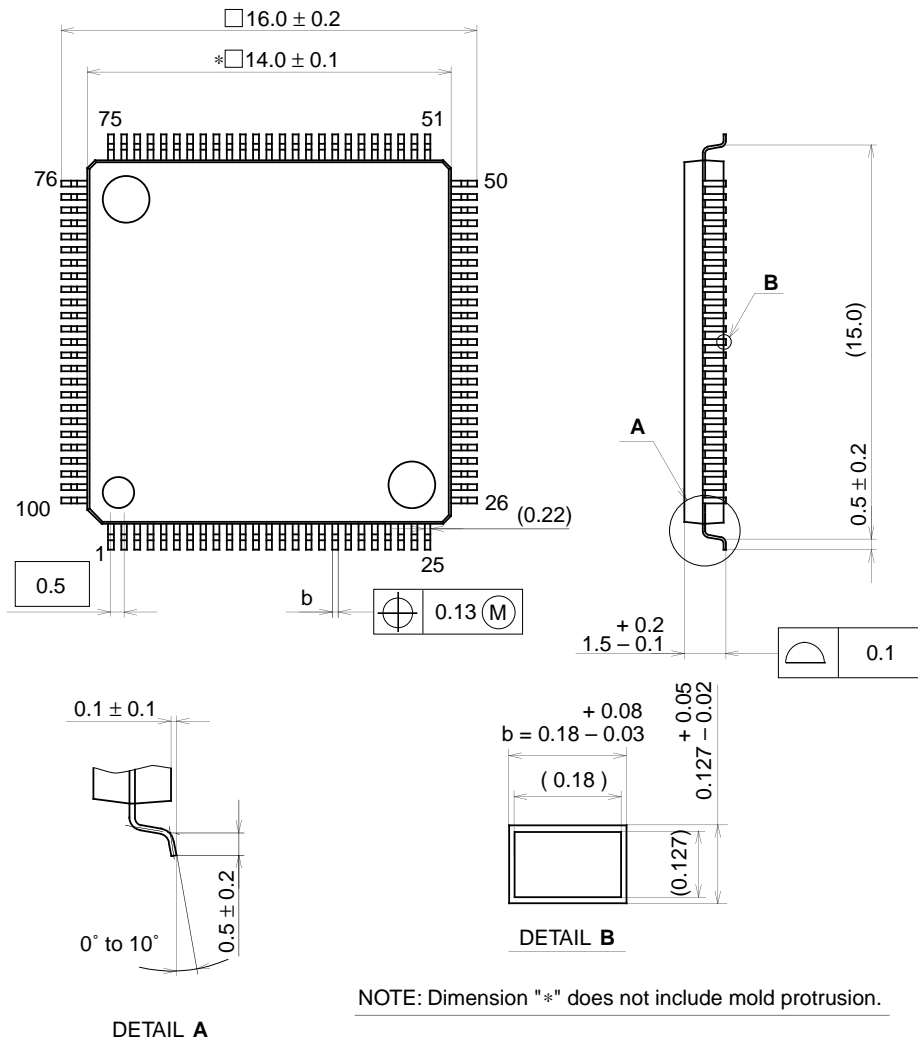
SONY CODE	QFP-100P-L01
EIAJ CODE	QFP100-P-1420
JEDEC CODE	_____

LEAD SPECIFICATIONS

ITEM	SPEC.
LEAD MATERIAL	ALLOY 42
LEAD TREATMENT	Sn-Pb 10%
LEAD TREATMENT THICKNESS	5-18 μ m

Package Outline Unit: mm

100PIN LQFP (PLASTIC)



PACKAGE STRUCTURE

SONY CODE	LQFP-100P-L01	PACKAGE MATERIAL	EPOXY RESIN
EIAJ CODE	P-LQFP100-14x14-0.5	LEAD TREATMENT	SOLDER PLATING
JEDEC CODE	_____	LEAD MATERIAL	42 / COPPER ALLOY
		PACKAGE MASS	0.7g

LEAD SPECIFICATIONS

ITEM	SPEC.
LEAD MATERIAL	ALLOY 42
LEAD TREATMENT	Sn-Pb 10%
LEAD TREATMENT THICKNESS	5-18 μ m