

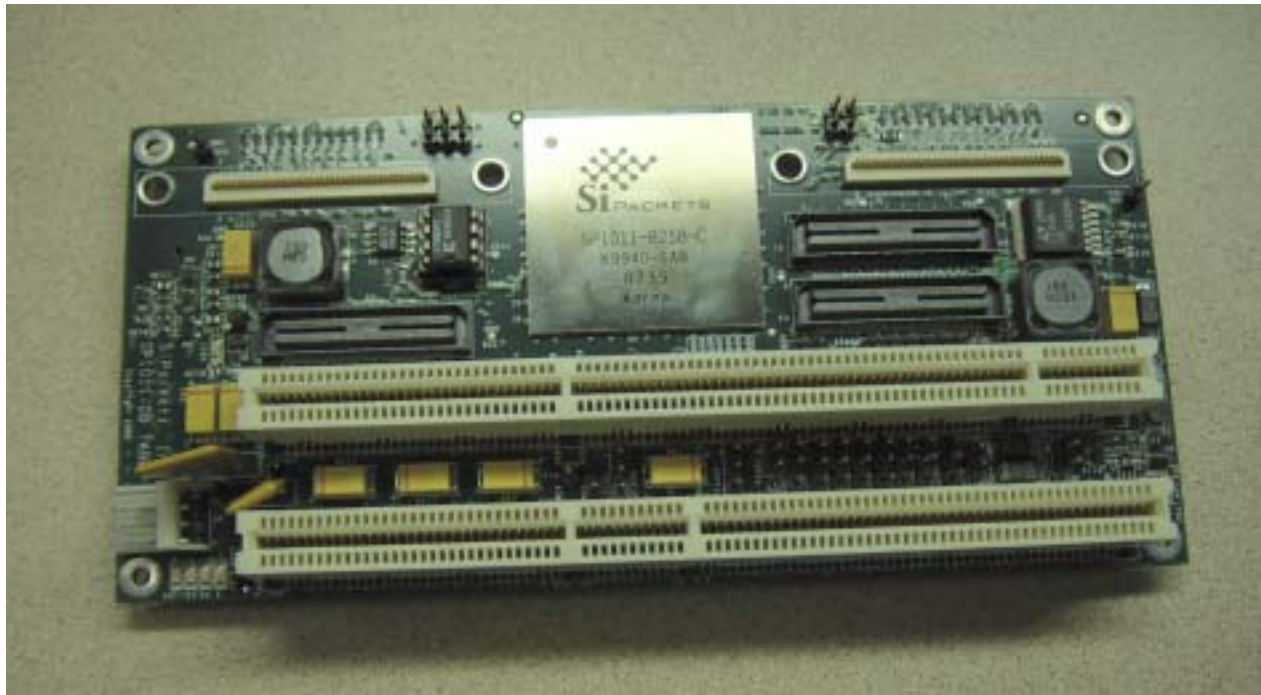


AS90L1011-DB Evaluation Platform for SP1011

The AS90L1011-DB is a development board for the SP1011, a HyperTransport™-to-PCI bridge. The AS90L1011-DB was developed for hardware and software development of bandwidth-hungry and performance-intensive applications in communication, networking, servers, and storage systems. The evaluation board includes the SP1011, connectors for two 8-bit HyperTransport links, two 64-bit PCI slots, and three PCI logic analyzer sockets.

The AS90L1011-DB development board interfaces directly with the Jaguar development board from PMC-Sierra. You can plug the AS90L1011-DB into the Jaguar board to create a direct interface between the HT port on the RM 9000xx and the SP1011.

The AS90L1011-DB is also designed to work with Broadcom's SWARM and Sentosa development boards through an adapter board (Mousie) that is also available from Alliance.



Features

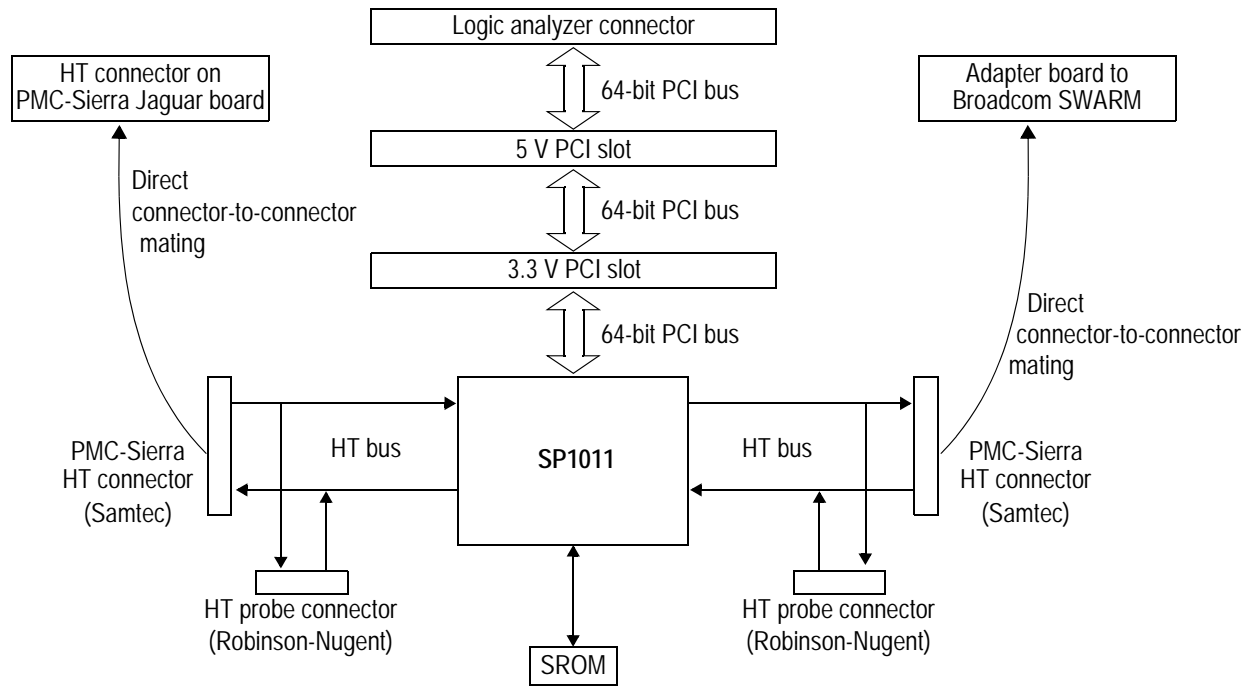
- Two 8-bit HT links (link 0 and link 1), each capable of 200 or 400 MHz.
- High density board-to-board connector for each HT link.
- One 3.3 V, 64-bit PCI slot capable of operating at 25, 33, 50, or 66 MHz.
- One 5 V, 64-bit PCI slot capable of operating at 25, 33, 50, or 66 MHz. (Note that according to the PCI specification, 50 and 66 MHz operation at 5 V I/O is invalid.)
- Selection between 3.3 V and 5 V PCI I/O voltage.
- Selectable frequency clock driver.
The clock driver output frequency can be set through jumper selects for an output frequency of 25, 33, 50, or 66 MHz. The clock driver device has separate outputs for the SP1011 device, the 3.3 V PCI slot, the 5 V PCI slot, and the logic analyzer probe connector.
- Probe sockets for the FuturePlus FS2240 HyperTransport probe.
- PCI probe sockets for Agilent logic analyzers.
- Standard male floppy disk power connector.
- LED voltage-on indicators.

Alliance Semiconductor

2575 Augustine Drive • Santa Clara, CA 95054 • Tel: 408.855.4900 • Fax: 408.855.4999 • www.alsc.com



AS90L1011-DB Block Diagram



Ordering Information

AS90L1011-DB	Evaluation board
AS90L1011-DB-M	Evaluation board with Mousie adapter

Contact Us:
Alliance Semiconductor Corporation.
 2575 Augustine Drive, Santa Clara, CA 95054, USA
 Phone: 408-855-4900, Fax: 408-855-4999
www.alsc.com

Notice:
 Information in this document is subject to change without notice.

HyperTransport™ is a trademark of the HyperTransport Technology Consortium