

### Absolute Maximum Rating

Ta = 25°C

Part No.	Power Dissipation Pc	Collector-Emitter Voltage VCE0	Emitter-Collector Voltage VECO	Collector Current Ic	Operating Temperature Topr	Storage Temperature Tstg
<b>PS1192HA</b>	75	30	5	20	-30~+85	-30~+90
Units	mW	V	V	mA	°C	°C

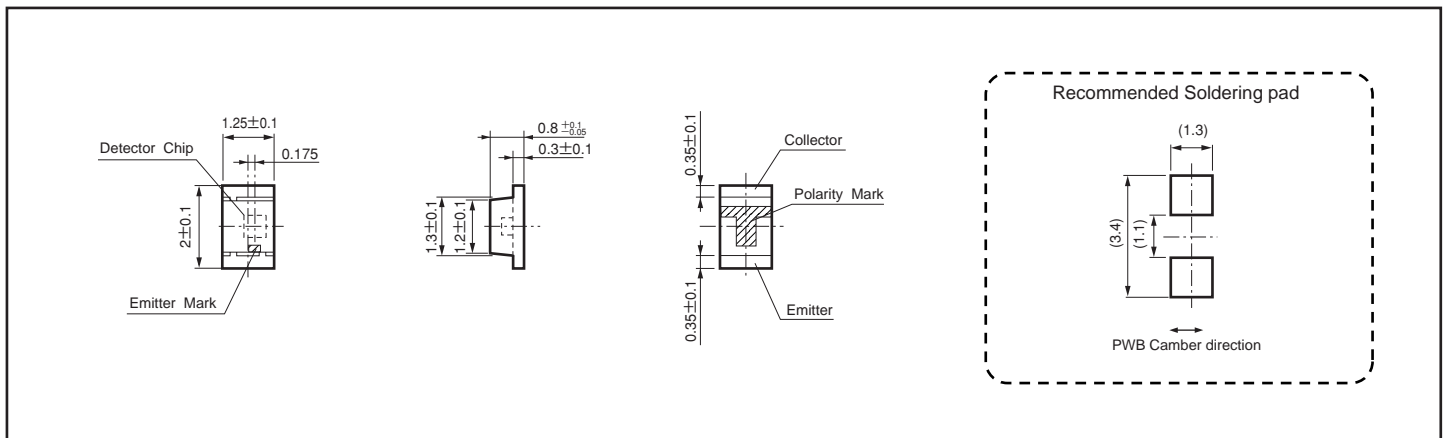
### Electro-Optical Characteristics

Ta = 25°C

Part No.	Peak Wavelength λp TYP	Photo Current Ic				Response Time tr/τf				Dark Current ICE0	
		MIN	TYP	VCE	Ee	TYP	VCE	Ic	RL	MAX	VCE0
<b>PS1192HA</b>	900	0.4	2.0	5	5	8 / 9	10	2	100	0.1	10
Units	nm	mA	mA	V	mW/cm <sup>2</sup>	μs	V	mA	Ω	μA	V

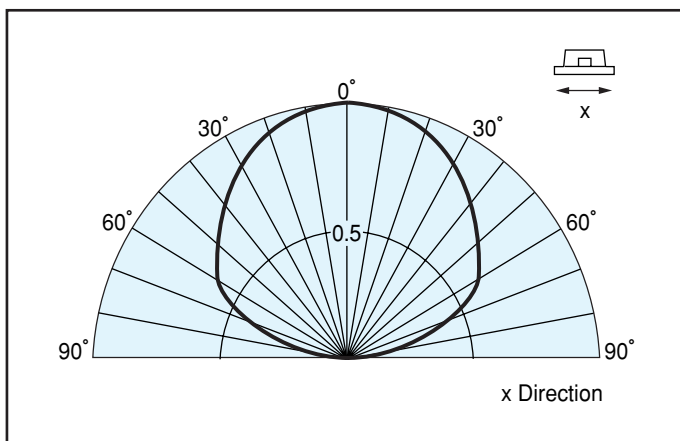
### Package Dimensions

Unit : mm



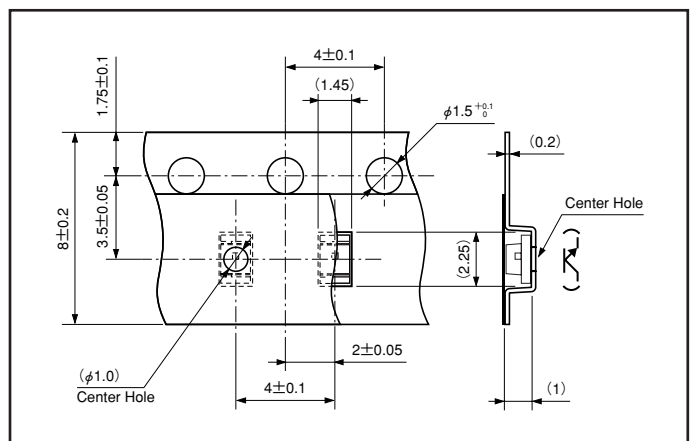
### Spatial Distribution

Ta = 25°C



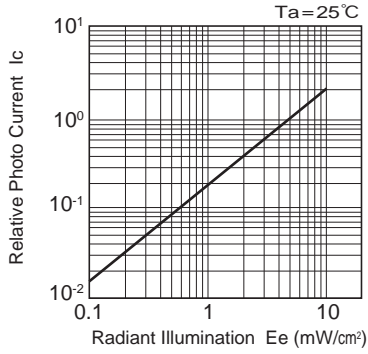
### Taping Specification

Unit : mm

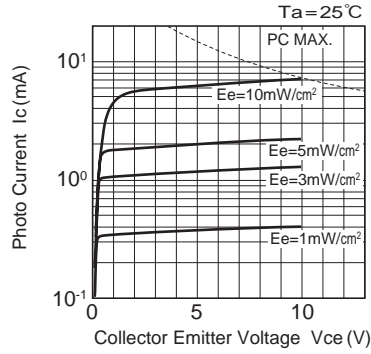


\* Quantity 4,000 pcs/Reel

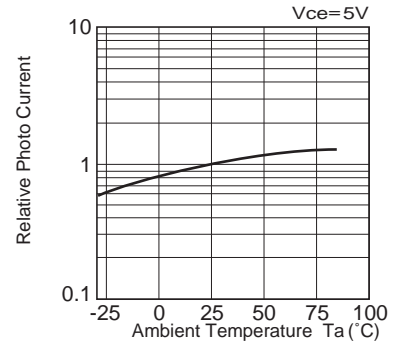
■ Radiant Illumination vs. Relative Photo Current



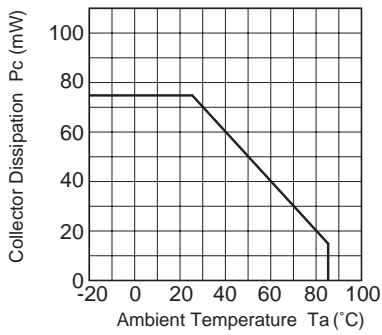
■ Collector Emitter Voltage vs. Photo Current



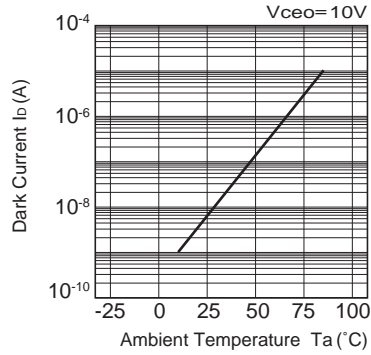
■ Ambient Temperature vs. Relative Photo Current



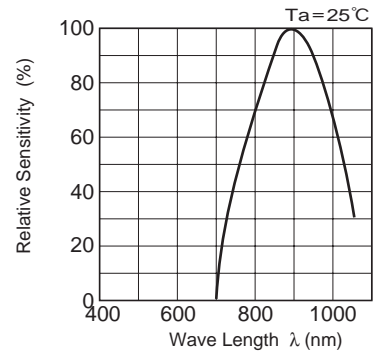
■ Ambient Temperature vs. Collector Dissipation



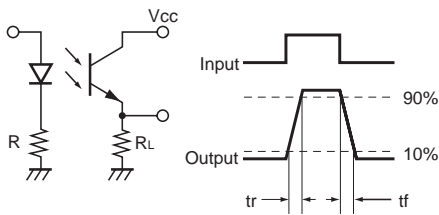
■ Ambient Temperature vs. Dark Current



■ Spectral Sensitivity Characteristics



■ Response Time Measuring Circuit



■ Response Time

