

| | | |
|---|----------|---------------|
| SANYO | No. 4150 | LA9410 |
| Final Audio Output IC for LD Players | | |

Overview

The LA9410 final audio output IC for laser disk players has an internal input amplifier for the 1-bit DAC, 40 kHz LPF, digital/analog signal select circuit, output mute, volume circuit, mixing amplifier and limiter circuit for RF output, and voltage regulator for plus and minus power supply. It provides a compact implementation of audio output circuitry for LD and CD compatible players and laser karaoke systems.

Functions

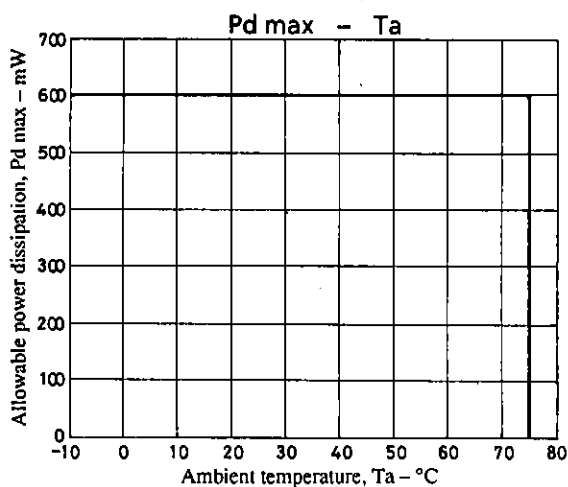
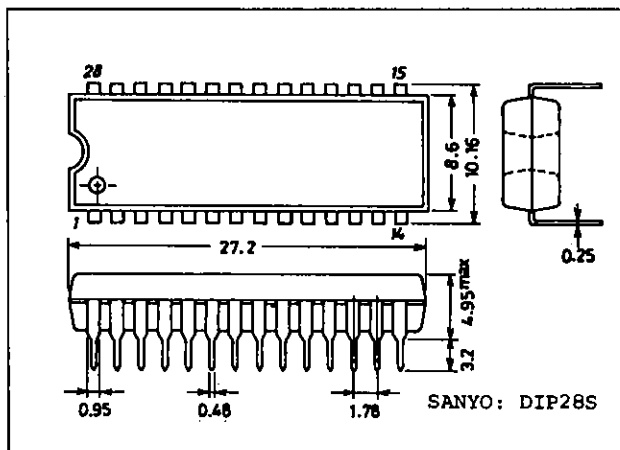
- Input amplifier for 1-bit DAC, LPF
- Input signal select (digital/analog audio)
- Output mute
- Volume circuit (for headphone amplifier. No headphone drive output amplifier is provided)
- Mixing amplifier for RF output (with internal limiter circuit)
- Regulated power supply circuit (internal use only. Cannot be output to external circuits)

Features

- Provides compact implementation of LD player output circuits
- Suitable for 1-bit DAC
- Internal voltage regulator allows direct use of non-regulated power supply
- Package: DIP-28S

Package Dimensions 3063

unit : mm



Specifications

Maximum Ratings at Ta = 25° C

| | | | unit |
|-----------------------------|--|-------------|------|
| Maximum Supply Voltage | V _{CC} max (IC only, V _{CC} -V _{EE}) | 14 | V |
| Allowable power dissipation | P _d max | 600 | mW |
| Operating temperature | T _{opr} | -10 to +75 | °C |
| Storage temperature | T _{stg} | -40 to +150 | °C |

Operating Conditions at Ta = 25° C

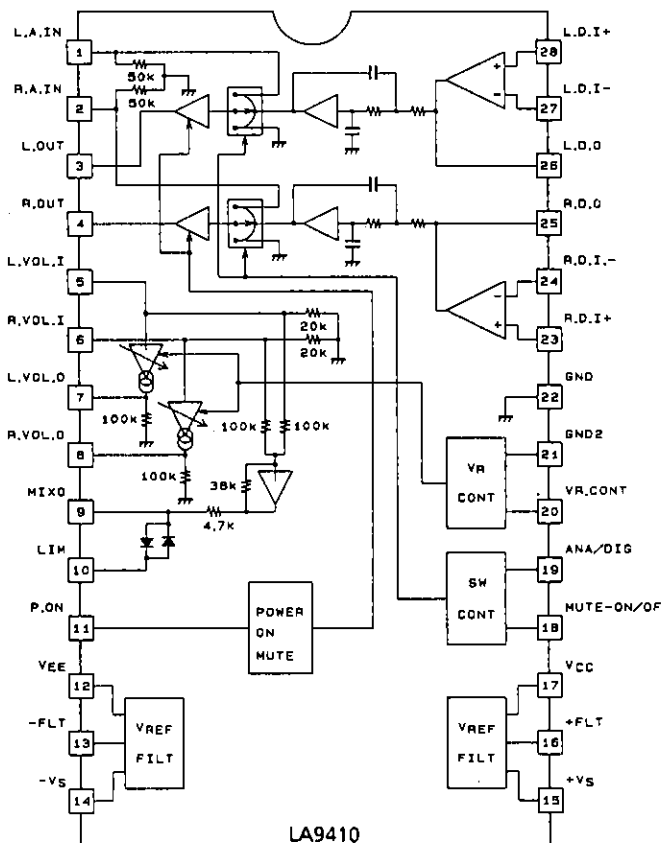
| | | | unit |
|--------------------------------------|--|------------|------------------|
| Recommended Supply Voltage | V _{sup} (For use in application circuit) | ±14 | V |
| Power supply voltage operating range | V _{sup op} (For use in application circuit) | ±11 to ±18 | V |
| Reference output voltage | V _r | 2 | V _{rms} |

Operating Characteristics at Ta = 25°C, V_{sup} = ±14V, V_i = 2V_{rms} = 0dB, 1kHz, R_L = 10kΩ, V_{cont} = 0V

| | | | min | typ | max | unit |
|---------------------------------------|-------------------|---|-------|-------|-------|------|
| Quiescent supply current | I _{CCO} | No signal | ±17 | ±21 | ±25 | mA |
| Line output level / digital | V _{od} | Digital input, line output | -1 | 0 | +1 | dB |
| Line output level / analog | V _{oa} | Analog input, line output | -1 | 0 | +1 | dB |
| Volume output level | V _{Ro} | Volume input/output | -3 | 0 | +3 | dB |
| Mixing output level | V _{Mo} | Volume input, Mixed output for L&R in-phase input | -5 | -3 | -1 | dB |
| Line frequency response / digital 1 | F1 | Digital input, -20dB, 20kHz/1kHz, line output | 0 | 0.7 | 1.5 | dB |
| Line frequency response / digital 2 | F2 | Digital input, -20dB, 40kHz/1kHz, line output | 0 | 2.5 | 5 | dB |
| Muting ratio | Mr | Digital input, line output | 90 | 110 | | dB |
| Volume attenuation level 1 | VRr1 | Volume input/output, V _{cont} = 1V | -15.5 | -12.5 | -9.5 | dB |
| Volume attenuation level 2 | VRr2 | Volume input/output, V _{cont} = 5V | | -58 | -50 | dB |
| Signal/noise ratio digital | S/N1 | Digital input mode, 20kHz/LPF, line output | 86 | 99 | | dB |
| Signal/noise ratio analog | S/N2 | Analog input mode, 20kHz/LPF, line output | 86 | 99 | | dB |
| Channel separation | Sep | Digital input, line output | 86 | 96 | | dB |
| Crosstalk | Cr | Digital input mode, line output | 86 | 98 | | dB |
| Total harmonic distortion (digital 1) | THD1 | 1kHz, 0dB, Digital input, line output | | 0.005 | 0.009 | % |
| Total harmonic distortion (digital 2) | THD2 | 10kHz, -10dB, Digital input, line output | | 0.02 | 0.07 | % |
| Total harmonic distortion (analog) | THD3 | 1kHz, 0dB, Analog input, line output | | 0.008 | 0.03 | % |
| Line output offset voltage | V _{off} | Digital input mode, line output | -50 | 0 | +50 | mV |
| Pin 18 threshold voltage | V _{th18} | | 1.5 | 2.1 | 3 | V |
| Pin 19 threshold voltage | V _{th19} | | 1.5 | 2.1 | 3 | V |

Note: Unless otherwise specified, a 400Hz to 30kHz bandpass filter is used.

Block Diagram

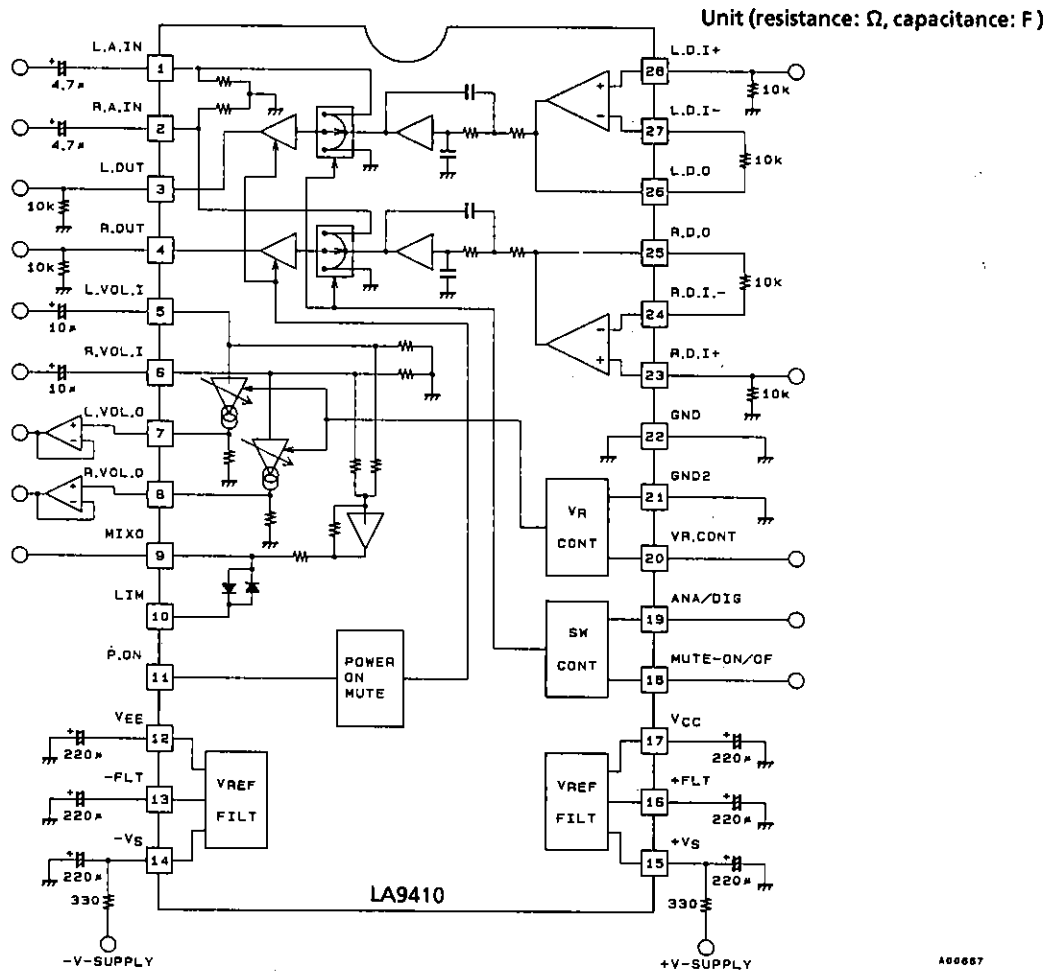


Unit (resistance: Ω)

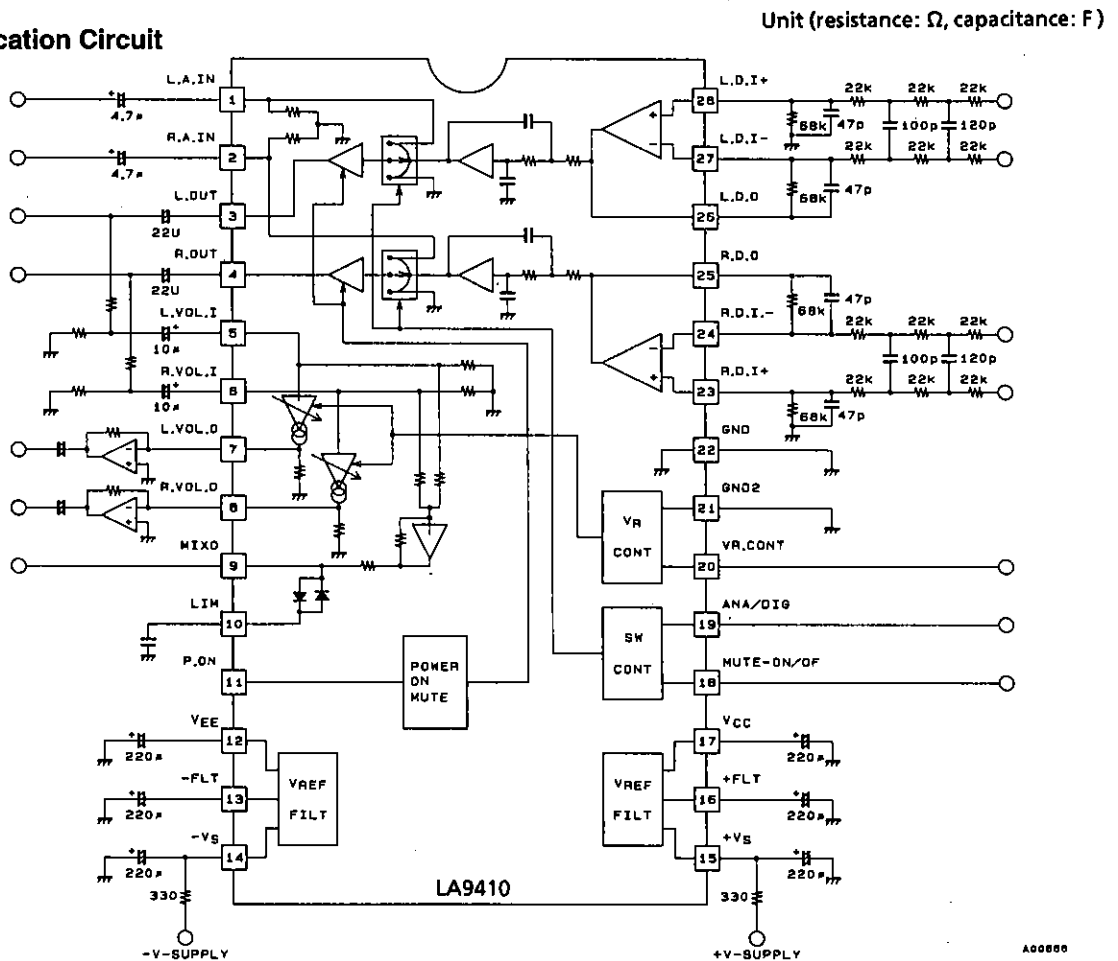
AD0688

LA9410

Test Circuit



Sample Application Circuit

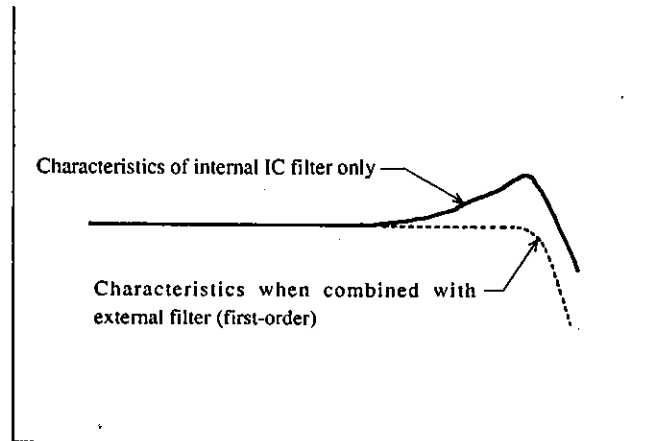


Technical information

1. Internal digital input filter

The filter internal to the LA9410 is designed to form a third-order filter when used in combination with an external first-order filter. Characteristics when used alone and when used in conjunction with the external filter are illustrated below.

Reference Figure 1



2. External components for input circuit for 1-bit DAC

The LA9410 circuit is directly connected from the input to line output. If the differential of the external components used for the input circuit (differential input) of the 1-bit DAC is large, it will become a DC offset, and may cause popping noise during selection and muting.

3. Power supply

In the LA9410 the IC is protected from high voltage inputs by series resistors located in the power supply, and voltage regulator circuits in the IC. This means that IC current dissipation will be strongly affected by supply voltage and the series resistance. Power supply design requires sufficient leeway so that the allowable power dissipation of the IC is not exceeded.

Note: Use a series resistance in the power supply so that the IC current dissipation is 38mA or less.

4. Measurement of separation and crosstalk

The effects of the IC evaluation circuit board pattern may make accurate measurement of crosstalk and separation impossible. This is especially common when the peripheral resistor of the 1-bit DAC input circuit has a high resistance.

- No products described or contained herein are intended for use in surgical implants, life-support systems, aerospace equipment, nuclear power control systems, vehicles, disaster/crime-prevention equipment and the like, the failure of which may directly or indirectly cause injury, death or property loss.
- Anyone purchasing any products described or contained herein for an above-mentioned use shall:
 - ① Accept full responsibility and indemnify and defend SANYO ELECTRIC CO., LTD., its affiliates, subsidiaries and distributors and all their officers and employees, jointly and severally, against any and all claims and litigation and all damages, cost and expenses associated with such use:
 - ② Not impose any responsibility for any fault or negligence which may be cited in any such claim or litigation on SANYO ELECTRIC CO., LTD., its affiliates, subsidiaries and distributors or any of their officers and employees jointly or severally.
- Information (including circuit diagrams and circuit parameters) herein is for example only; it is not guaranteed for volume production. SANYO believes information herein is accurate and reliable, but no guarantees are made or implied regarding its use or any infringements of intellectual property rights or other rights of third parties.