

Integrated Device Technology, Inc.

NICStAR™ Reference Design ADVANCE INFORMATION

155Mbps Network Interface Card (NIC)

IDT77914
IDT77915

FEATURES:

- Complete 155Mbps PCI-bus ATM Network Interface Card
- Supports 33MHz, 32-bit PCI bus
- 155Mbps Multimode fiber optical interface (77914)
- 155Mbps UTP-5 PHY interface (77915)
- Complete reference design including schematics, bill of materials, and data bases needed for production.
- Capable of supporting up to 16K receive connections
- Supports tens of thousands of transmit connections
- E² PROM layout for Sub-vendor ID
- Small Form Factor: 2.5 x 6 inches
- "SARWIN" software evaluation program available for Windows 3.1™
- Third Party Software available:
 - Telogy Networks
Windows NT™ Drivers and other Windows Drivers
21 Firstfield Road, Gaithersburg, Maryland 20878
(301) 527-2788 (phone) (301) 417-0324 (FAX)
hluterman@telogy.com
 - Harris & Jefferies
Novel Netware™ Drivers
888 Washington Street, Dedham,
Massachusetts, 02026
(617) 329-3200 (phone) (617) 329-4148 (FAX)
chrisb@hjinc.com

- Advancenet Systems Inc.
Windows NT™ and Windows 95™ Drivers
406 Timbermill Rd., Durham, North Carolina 27713
(919) 544-5601 (phone) (919) 544-4601 (FAX)
j.harford@ieee.org or
75141,2635@compuserve.com

DESCRIPTION:

The IDT77914 and IDT77915 are designed to provide stable reference platforms for evaluation, design, and production of a 155Mbps NIC. The IDT77914 provides a fiber media physical (PHY) interface; the 77915 supports Unshielded Twisted Pair, Category 5 (UTP-5) cabling. Otherwise identical, they both feature complete PCI-bus ATM NIC functionality, plugging directly into PCI bus expansion slots.

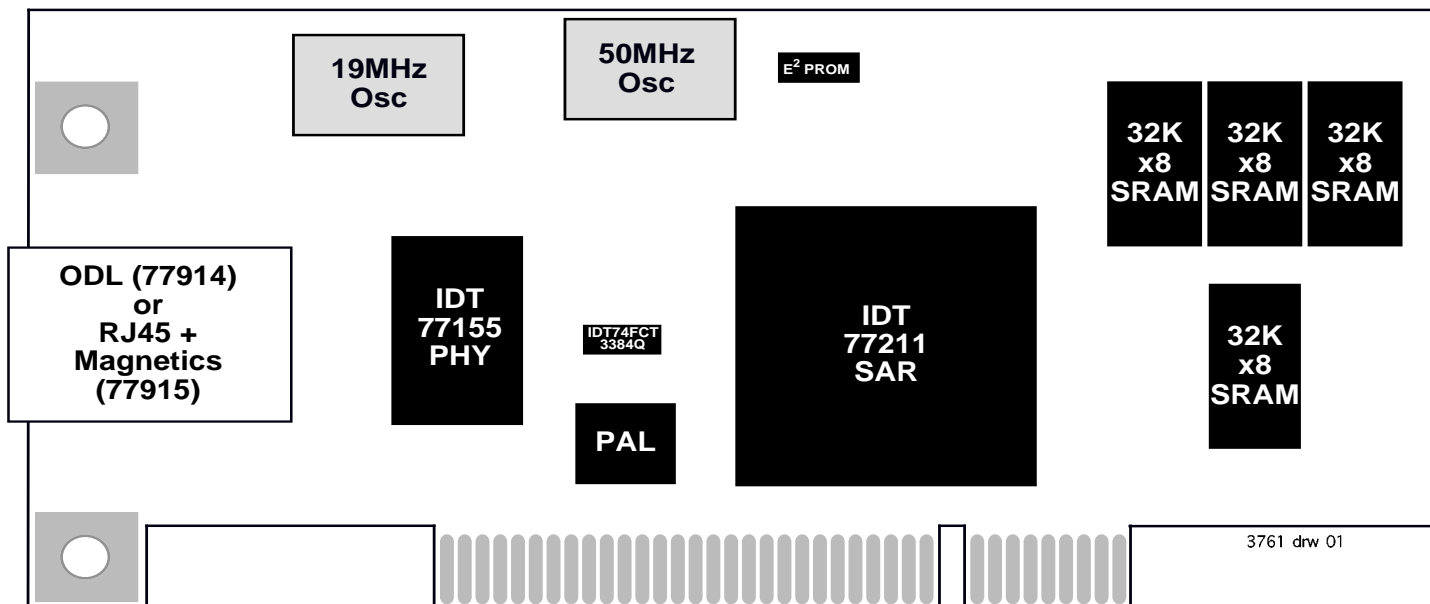
COMPATIBILITY AND CONFIGURATION

The board is designed for use in PCI systems, which may include PC compatibles, MIPS, Alpha, Windows NT systems, future PowerPC Macintosh systems, and so on. It supports the 32 bit, 33 MHz, 5V part of the PCI spec, although this also permits operation in a 64-bit, 33 MHz, 5V PCI slot.

OVERVIEW

The heart of the board is the IDT 77211 NICStAR™, which is an ATM Segmentation And Reassembly (SAR) controller. The NICStAR™ connects directly to the PCI bus, a private

FUNCTIONAL BLOCK DIAGRAM



SRAM/EPROM bus, and the Utopia PHY interface. The PHY device is aIDT 77155 PHY. The PHY device connects in turn to a Hewlett-Packard HFBR-5103 Optical Data Link (ODL) device for the fiber optic connection (IDT77914), or to a Micro Linear ML6672CH transceiver for the UTP-5 connection (IDT77915). The ODL incorporates its own fiber optic connectors; the UTP option requires a line interface/filter transformer and a standard RJ-45 jack.

THEORY OF OPERATION

The NICStAR™ has 50 signal pins which connect directly to the PCI bus edge connector. 32 of these are multiplexed address/data signals, and the remainder are control signals. The NICStAR™ is compatible with the 5V, 33 MHz portion of the PCI spec, so the eval board will work in motherboards with 32 or 64 bit, 5V, 33 MHz slots. The board will not work in 3.3V slots.

The NICStAR™ receives two clock input signals. One is from the PCI bus, and this one can vary from DC to 33.333MHz. The other is from a local oscillator on the 77914/5. The NICStAR™'s main clock is the SAR_CLK. It runs typically at 50 MHz. The rate of the Utopia interface, PHY_CLK is connected to a device by 2 output clock from the SAR. Optionally, this clock can be supplied via a separate oscillator, the PHY clock, and runs typically at 25 MHz. All clock oscillators on the board have ferrite-bead power supply filters, and both SAR oscillator sockets have 33 Ohm source series and 330/220 Ohm end parallel termination resistors provided for optimum signal integrity.

The NICStAR™ has a private local SRAM/EPROM data bus, SR_I/O[31:0] and address bus, SR_A[16:0]. It also supports a four-wire private EEPROM bus, three of which are outputs (EE_SCLK, EE_CS#, EE_DO) and one of which is an input (EE_DI).

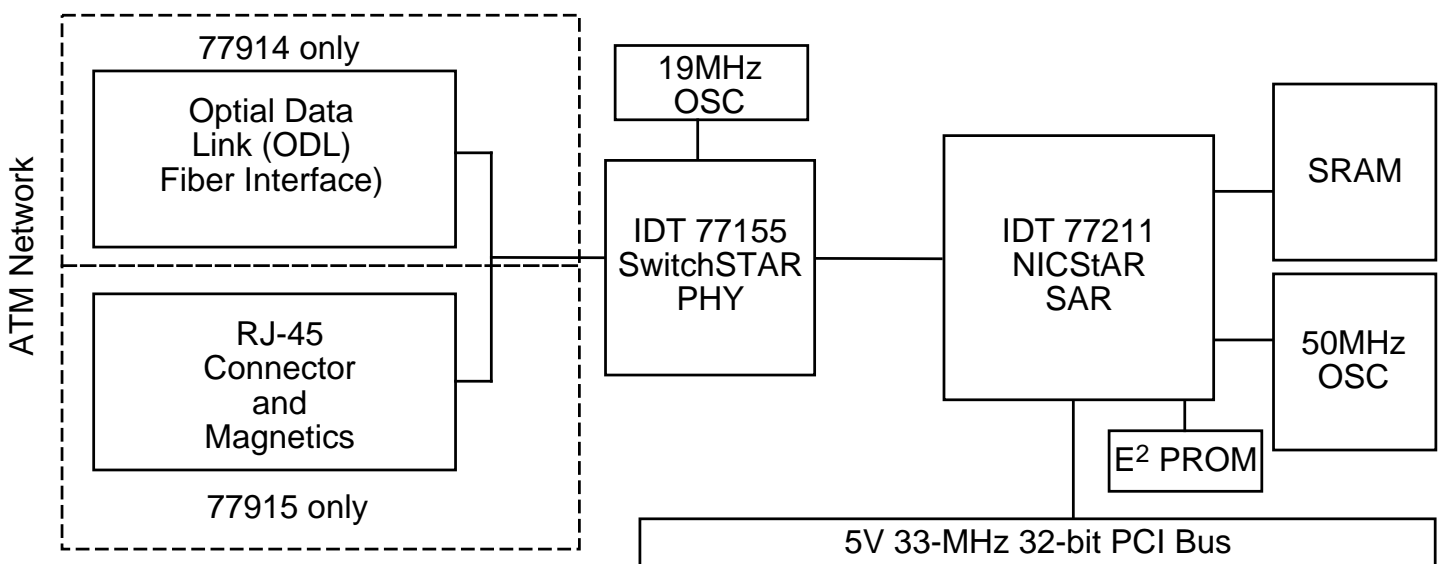
NICStAR™ supports 4 32Kx8 or 128Kx8 asynchronous SRAMS. SRAM timing is fixed at one cycle. The NICStAR™ spec requires 20 ns access time SRAMs when the NICStAR™ is running at 50 MHz.

NICStAR™ supports 1 32Kx8 or 128Kx8 EPROM. EPROM timing is fixed at three cycles. NICStAR™ requires a 70 ns access time EPROM.

NICStAR™ supports 1 EEPROM device. The four EEPROM signals are completely under software control, so access times and protocols can be specified by the user. The eval board uses a Xicor X25020 EEPROM. This device requires EE_CS# to be asserted low during all operations. Control or data bits are taken from EE_DO at the rising edge of EE_SCLK, and EE_DI changes on the falling edge of EE_SCLK. Refer to the X25020 documentation for more information. The 77914/5 provides LEDs on EE_DO (D6) and EE_SCLK (D5). These LEDs illuminate when the corresponding signal is asserted low, and may be used to signal status to the user when the EEPROM is not being accessed.

The NICStAR™ has a multiplexed utility bus, UTL_AD[7:0] plus five UTL control signals. This bus may be used to communicate with external 8-bit devices. The 77914/5 uses the utility bus in this way to communicate with the registers on the PHY. This interface is also under software control, so protocol can be specified by the user.

FUNCTIONAL BLOCK DIAGRAM



3761 drw 02

The last two buses on the NICStAR™ are the UTOPIA transmit and receive buses. These follow the ATM Forum's specification of the UTOPIA interface. They run at the PHY_CLK speed, with the NICStAR™ generating the TXCLK and RXCLK signals to the PHY device.

The PHY device used is the IDT 77155. It has the standard transmit and receive UTOPIA interfaces, and a non-multiplexed utility bus for register access. The PHY utility data bus and address bus are connected together on the eval board; the NICStAR™ ALE signal defines the mode of this combined bus in a way compatible with the NICStAR™ and the 77155 SWITCHStAR™.

The 77155 reset input is driven by the NICStAR™'s PHY_RST# input. IDT's 77155 also provides an INT# output which is connected to the NICStAR™'s PHY_INT# input.

The 77155 transmit and receive clock reference frequency is provided by a 19.44 MHz oscillator. This device is specified at 10 ppm accuracy to meet the ATM Forum requirements for 155.52 Mbps operation. As with the other oscillators on the eval board, this oscillator has a ferrite-bead power supply filter, and a 33 Ohm source series termination resistor. End termination is provided as part of a voltage divider network designed to limit the input swing at the AC-coupled RRCLK and TXCLK inputs on the 77155.

The 77155 has several control signals which are connected to pullup and/or pulldown resistors on the eval board. Refer to the 77155 documentation and the 77914/5 schematics for more details. There are also several status outputs which are not connected. One status output, RALM, goes high when any of several different error conditions are detected by the PHY. It is low only when a signal is present on the receive data inputs, the 77155 is able to recover a valid clock from the signal, and the data on the signal contains proper SONET OR

SDH frames. RALM is connected to an LED to act as a "link detect" indicator.

77155 has a six-wire connection to the physical media devices (PMD) which consists of three pairs of PECL-level differential signals. One pair is transmit data, one pair is receive data, and the last pair is signal detect, which can also be connected as a single-ended PECL or CMOS signal. The polarity of the connectors should be observed. The 77914/5 provides two PMD options (77914 and 77915), and includes extensive termination circuitry with several possible configurations to provide the best possible signal integrity between the PHY and the PMD.

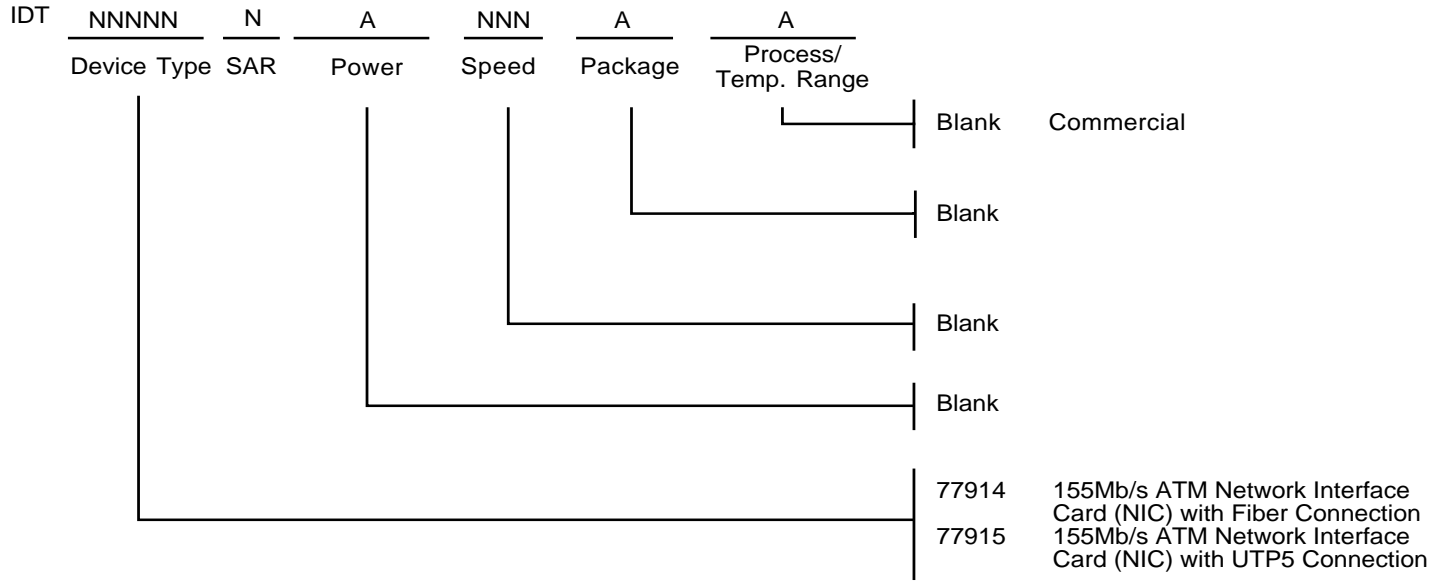
77914 Option

The 77914 interface is provided via a 9-pin fiber optical data link (ODL) footprint which can be loaded with any standard 9-pin ODL device. The 77914 is loaded with the Hewlett-Packard HFBR-5103, which is a short-haul device for multi-mode fiber, originally designed for FDDI. Other devices in the HFBR-510x and -520x families should also work here, depending on the application.

77915 Option

On the 77915 is a Micro Linear ML6672CH line interface device intended for driving twisted-pair copper lines at high data rates; it is characterized for 155 Mbps operation. Several resistors and capacitors are provided on the 77915 to set various line interface parameters on the ML6672CH. The line interface side of the ML6672CH is connected to a Pulse Engineering PE-68511 line interface transformer which is designed for 155 Mbps operation over unshielded twisted pair (UTP) cable. The connector used on the eval board is an unshielded RJ-45 which must be low-profile to work in a standard PC expansion slot. Unused pins on the RJ-45 connector go to a termination network to reduce crosstalk and other forms of interference within the cable.

ORDERING INFORMATION



3761 drw 03

ADVANCE INFORMATION DATASHEET: DEFINITION

"Advance Information" datasheets contain initial descriptions, subject to change, for products which are in development, including features and block diagrams.

Datasheet Document History

8/22/96: Initial Draft

Integrated Device Technology, Inc. reserves the right to make changes to the specifications in this data sheet in order to improve design or performance and to supply the best possible product.

Integrated Device Technology, Inc.

2975 Stender Way, Santa Clara, CA 95054-3090

Telephone: (408) 727-6116

FAX 408-492-8674