

# DATA SHEET

## **TZA1048**

4-channel BTL driver for  
CD/DVD drives

Product specification

2004 Mar 09

---

**4-channel BTL driver for CD/DVD drives****TZA1048**

---

**CONTENTS**

1	Features	12	Soldering
2	Applications	12.1	Introduction to soldering surface mount packages
3	General description	12.2	Reflow soldering
4	Ordering information	12.3	Wave soldering
5	Block diagram	12.4	Manual soldering
6	Pinning	12.5	Suitability of surface mount IC packages for wave and reflow soldering methods
7	Functional data	13	Data sheet status
7.1	General notes	14	Definitions
8	Limiting values	15	Disclaimers
9	Characteristics		
10	Test and application information		
11	Package outline		

## 4-channel BTL driver for CD/DVD drives

TZA1048

**1 FEATURES**

- Two Bridge-Tied Load (BTL) driver channels for sled and spindle motors and actuators
- Pulse Width Modulation (PWM) input
- Integral thermal shut-down circuit
- Integral mute control
- Two regulated reference voltage outputs for other chips in system; 3.3 V and 1.8 V respectively
- HSOP28 package.

**2 APPLICATIONS**

- BTL driver for CD and DVD players.

**3 GENERAL DESCRIPTION**

The TZA1048 is a four-channel BTL driver IC for driving motors and actuators in CD and DVD players.

Two reference voltage outputs are also available for peripheral ICs such as servo and pick-up head drivers.

The spindle motor control inputs to the IC can be either differential or single-ended.

**4 ORDERING INFORMATION**

TYPE NUMBER	PACKAGE		
	NAME	DESCRIPTION	VERSION
TZA1048TH	HSOP28	plastic, heatsink small outline package; 28 leads	SOP007

# 4-channel BTL driver for CD/DVD drives

# TZA1048

## 5 BLOCK DIAGRAM

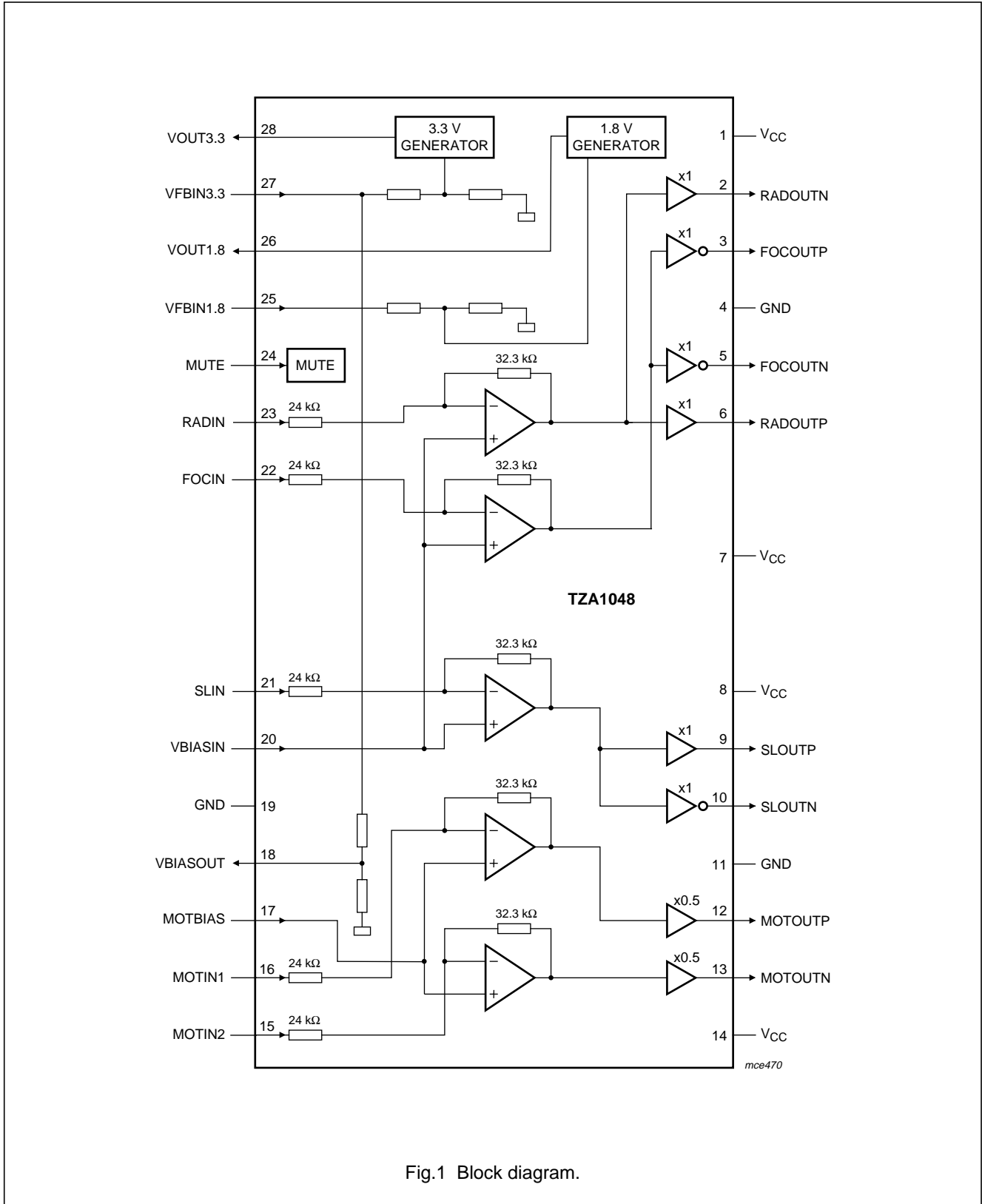


Fig.1 Block diagram.

## 4-channel BTL driver for CD/DVD drives

TZA1048

## 6 PINNING

SYMBOL	PIN	DESCRIPTION
V <sub>CC</sub>	1	supply voltage
RADOUTN	2	radial coil driver negative output
FOCOUTP	3	focus coil driver positive output
GND	4	ground
FOCOUTN	5	focus coil driver negative output
RADOUTP	6	radial coil driver positive output
V <sub>CC</sub>	7	supply voltage
V <sub>CC</sub>	8	supply voltage
SLOUTP	9	sled motor driver positive output
SLOUTN	10	sled motor driver negative output
GND	11	ground
MOTOUTP	12	spindle motor driver positive output
MOTOUTN	13	spindle motor driver negative output
V <sub>CC</sub>	14	supply voltage
MOTIN2	15	spindle motor driver input 2
MOTIN1	16	spindle motor driver input 1
MOTBIAS	17	spindle motor bias input
VBIASOUT	18	1.65 V bias voltage output
GND	19	ground
VBIASIN	20	bias voltage input
SLIN	21	sled motor driver input
FOCIN	22	focus coil driver input
RADIN	23	radial coil driver input
MUTE	24	mute control input
VFBIN1.8	25	1.8 V generator/regulator feedback voltage input
VOOUT1.8	26	1.8 V generator/regulator output
VFBIN3.3	27	3.3 V generator/regulator feedback voltage input
VOOUT3.3	28	3.3 V generator/regulator output

# 4-channel BTL driver for CD/DVD drives

# TZA1048

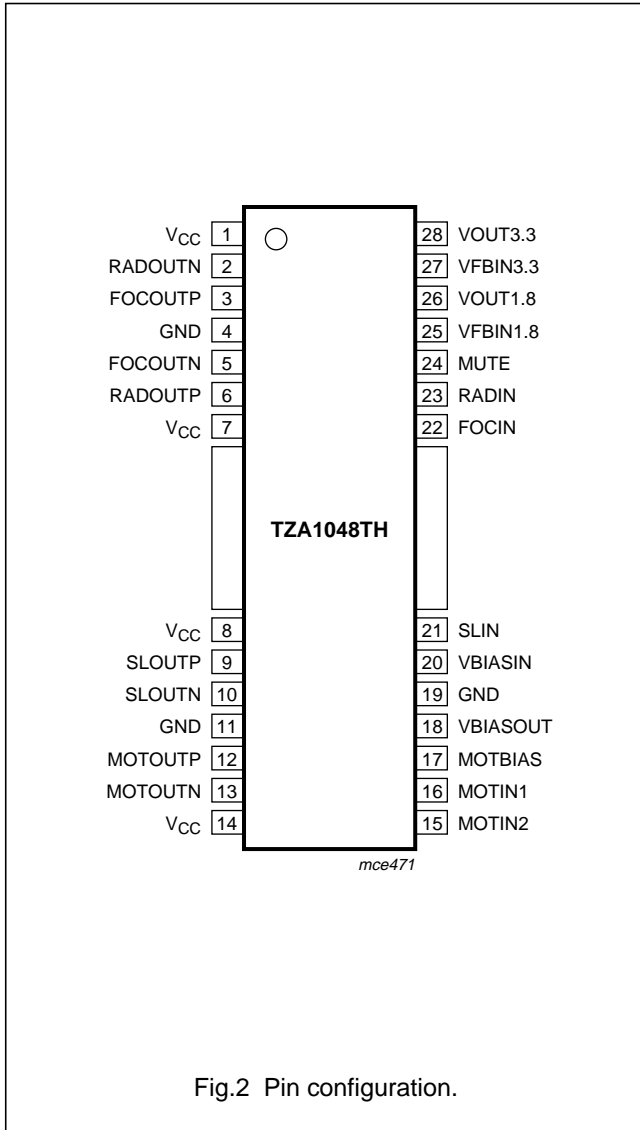


Fig.2 Pin configuration.

## 7 FUNCTIONAL DESCRIPTION

### 7.1 General notes

1. The integral thermal shut-down circuit mutes the output current when the chip temperature reaches 175 °C (typical). The hysteresis is set to 25 °C (typical), so the circuit will restart when the chip temperature falls to 150 °C (typical).
2. Mute mode is activated when the voltage at pin MUTE is below 0.5 V, and deactivated when the voltage at pin MUTE is above 1.2 V. In mute mode, both positive and negative output terminals will be at high-impedance state. However, the 3.3 V and 1.8 V outputs are not affected.
3. It is recommended that a 220 μF decoupling capacitor is connected between pins V<sub>CC</sub> and pin GND and physically located as close as possible to these supply pins.
4. The positive outputs of the focus, radial and sled driver channels are in phase with their respective input signals. The positive output of the spindle driver channel is in phase with the input signal on pin MOTIN1.
5. The values of the resistors connected to each input channel must be equal to, or larger than, 4.7 kΩ to ensure that the gain of each input stage is less than, or equal to 1.
6. The GND pins are internally connected to heat dissipation fins within the package. You must ensure that these pins are connected to an external ground.
7. The 1.65 V bias voltage output from pin VBIASOUT is derived from the internal 3.3 V generator/regulator, and will be affected by any variation in the 3.3 V generator/regulator voltage.

## 4-channel BTL driver for CD/DVD drives

TZA1048

**8 LIMITING VALUES**

In accordance with the Absolute Maximum Rating System (IEC 60134).

SYMBOL	PARAMETER	MIN.	MAX.	UNIT
$V_{CC}$	supply voltage	–	13.5	V
P	power dissipation	–	1.7	W
$T_{oper}$	operating temperature	0	70	°C
$T_{stg}$	storage temperature	–55	+150	°C

**9 CHARACTERISTICS** $T_{amb} = 25\text{ °C}$ ;  $V_{CC} = 9\text{ V}$ ;  $R_L = 8\ \Omega$ ; unless otherwise specified.

SYMBOL	PARAMETER	CONDITIONS	MIN.	TYP.	MAX.	UNIT
B	bandwidth		20	25	100	kHz
$V_{CC}$	power supply		6	9	13	V
PSRR	power supply rejection ratio	at $V_{CC} = 5\text{ V}$	30	38	–	dB
$I_q$	quiescent current	unloaded	–	20.3	36	mA
$I_{stb}$	standby current	mute mode active; unloaded	–	2.1	10	mA
$V_{MUTE(L)}$	low level voltage on pin MUTE; mute mode active		0	–	0.8	V
$V_{MUTE(H)}$	high level voltage on pin MUTE; mute mode inactive		2	–	5	V
<b>Radial coil driver</b>						
$V_{OO(rad)}$	output offset voltage		–	$\pm 20$	$\pm 50$	mV
$I_{con(rad)}$	maximum constant current	$R_L = 8\ \Omega$	250	300	–	mA
$I_{p(max)(rad)}$	maximum peak current	$R_L = 8\ \Omega$	250	430	–	mA
$G_{rad}$	gain	$V_{CC} = 9\text{ V}$ ; $V_i = 700\text{ mV (p-p)}$ ; $R_{ext} = 4.7\text{ k}\Omega$ ; note 1	6	7	8	dB
<b>Focus coil driver</b>						
$V_{OO(foc)}$	output offset voltage		–	$\pm 20$	$\pm 50$	mV
$I_{con(foc)}$	maximum constant current	$R_L = 8\ \Omega$	250	300	–	mA
$I_{p(max)(foc)}$	maximum peak current	$R_L = 8\ \Omega$	370	430	–	mA
$G_{foc}$	gain	$V_{CC} = 9\text{ V}$ ; $V_i = 700\text{ mV (p-p)}$ ; $R_{ext} = 4.7\text{ k}\Omega$ ; note 1	6	7	8	dB
<b>Sled motor driver</b>						
$V_{OO(sle)}$	output offset voltage		–	$\pm 20$	$\pm 50$	mV
$I_{con(sle)}$	maximum constant current	$R_L = 8\ \Omega$	200	300	–	mA
$I_{p(sle)}$	maximum peak current	$R_L = 8\ \Omega$	370	430	–	mA
$G_{sle}$	gain	$V_{CC} = 9\text{ V}$ ; $V_i = 700\text{ mV (p-p)}$ ; $R_{ext} = 4.7\text{ k}\Omega$ ; note 1	6	7	8	V/V

## 4-channel BTL driver for CD/DVD drives

TZA1048

SYMBOL	PARAMETER	CONDITIONS	MIN.	TYP.	MAX.	UNIT
<b>Spindle motor driver</b>						
$V_{OO(\text{spin})}$	output offset voltage		–	$\pm 10$	$\pm 50$	mV
$I_{\text{con}(\text{spin})}$	maximum constant current	$R_L = 4 \Omega$	400	430	–	mA
$I_{\text{p}(\text{spin})}$	maximum peak current	$R_L = 4 \Omega$	560	600	–	mA
$G_{\text{spin}}$	gain	$V_{CC} = 9 \text{ V};$ $V_i = 700 \text{ mV (p-p)};$ $R_{\text{ext}} = 4.7 \text{ k}\Omega;$ note 1	1	1.12	1.26	V/V
<b>3.3 V generator</b>						
$V_{\text{fb}(3.3)}$	feedback voltage		3.1	3.3	3.5	V
$I_{\text{O}(3.3)}$	output current		3	4.4	5	mA
<b>1.8 V generator</b>						
$V_{\text{fb}(1.8)}$	feedback voltage		1.7	1.8	1.9	V
$I_{\text{O}(1.8)}$	output current		3	4.2	5	mA

**Note**

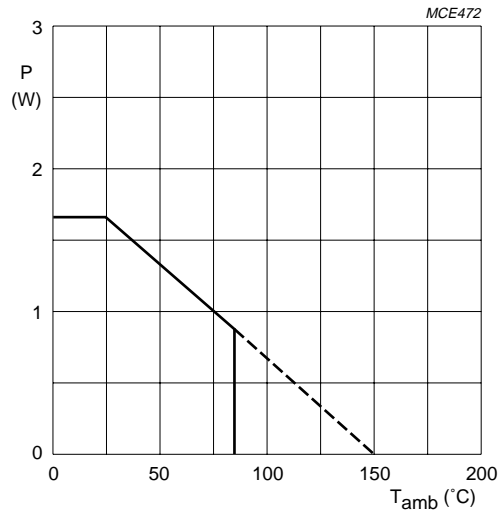
- For gain measurements, only the channel being tested is active, the others are inactive; see Fig.4.



4-channel BTL driver for CD/DVD drives

TZA1048

10 TEST AND APPLICATION INFORMATION



70 × 70 × 1.6 mm glass epoxy board.  
At temperatures above T<sub>amb</sub> = 25 °C, power dissipation is de-rated at 13.6 mW/°C.

Fig.3 Power dissipation as a function of ambient temperature.

4-channel BTL driver for CD/DVD drives

TZA1048

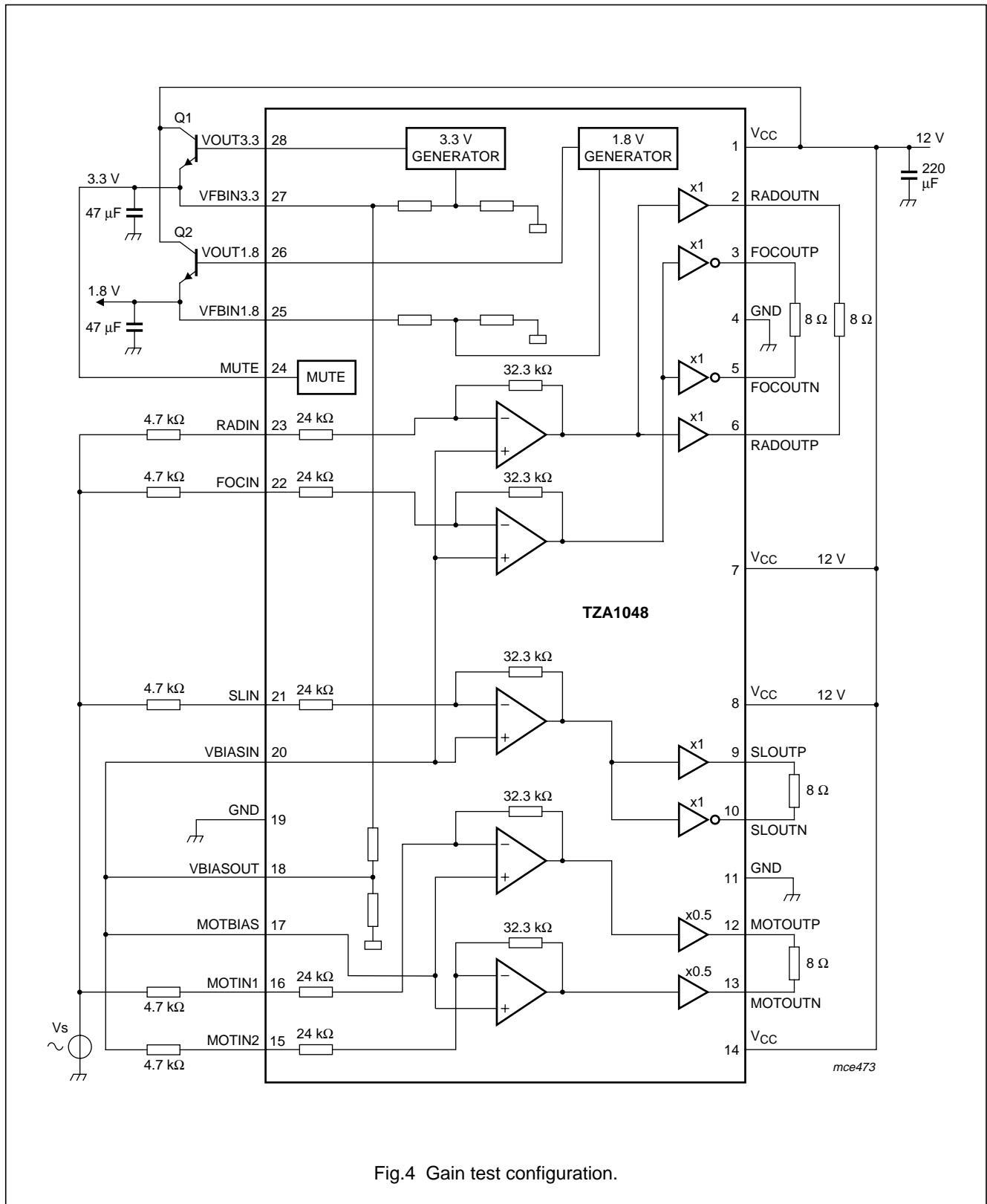


Fig.4 Gain test configuration.

4-channel BTL driver for CD/DVD drives

TZA1048

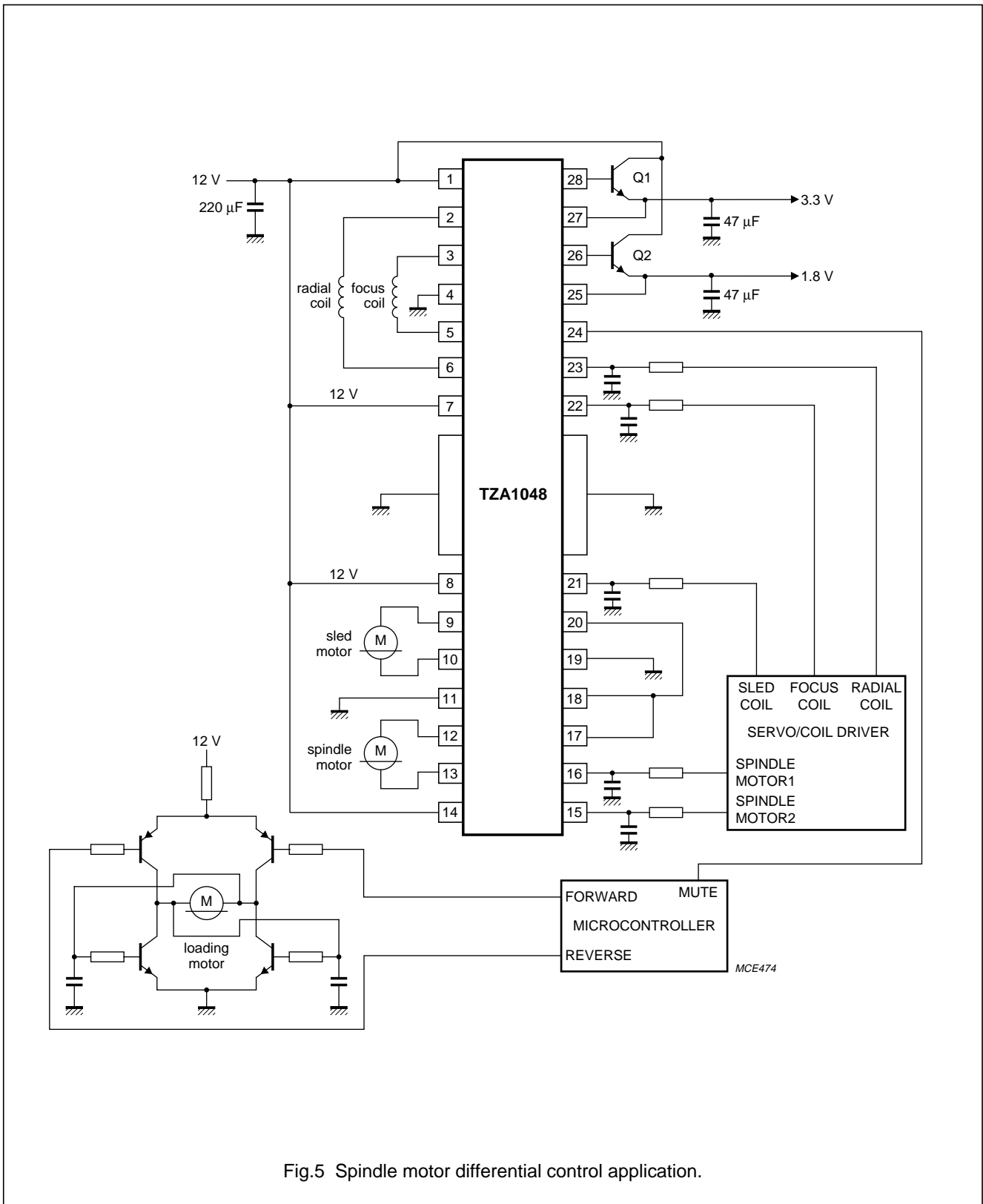


Fig.5 Spindle motor differential control application.

4-channel BTL driver for CD/DVD drives

TZA1048

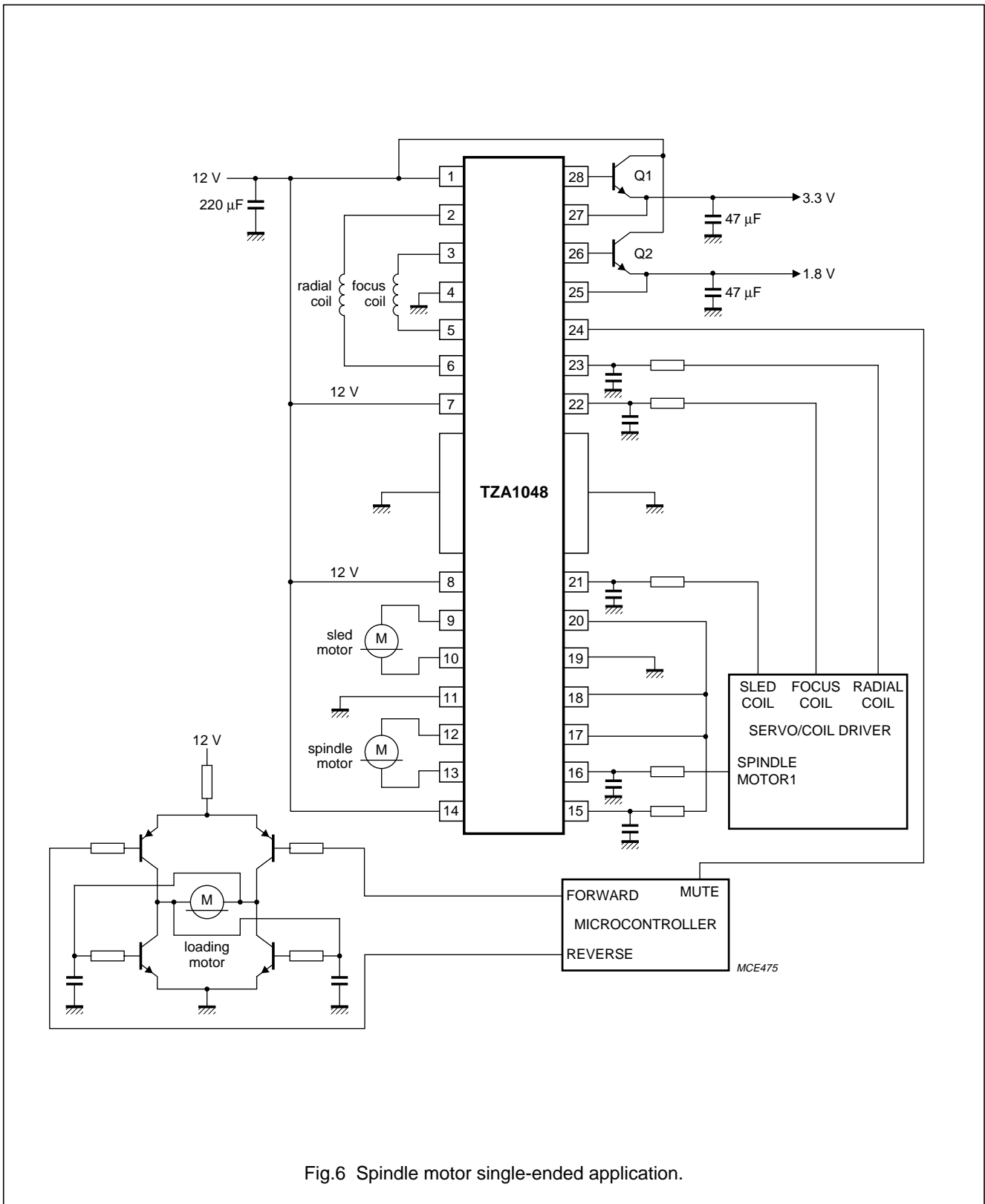


Fig.6 Spindle motor single-ended application.

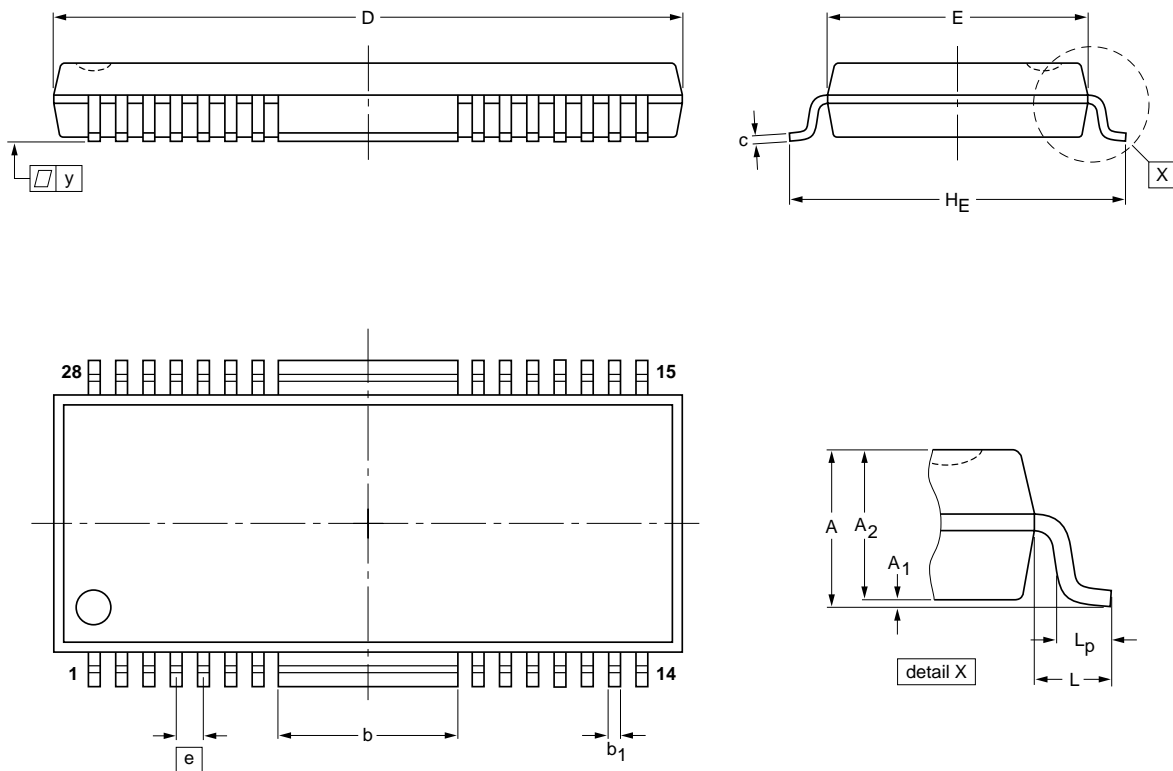
4-channel BTL driver for CD/DVD drives

TZA1048

11 PACKAGE OUTLINE

HSOP28: plastic, heatsink small outline package; 28 leads

SOP007



DIMENSIONS (mm are the original dimensions)

UNIT	A max.	A <sub>1</sub>	A <sub>2</sub> max	b	b <sub>1</sub>	c	D <sup>(1)</sup>	E <sup>(1)</sup>	e	H <sub>E</sub>	L	L <sub>p</sub>	y
mm	2.31	0.20 0.05	2.2	5.25 5.05	0.45 0.30	0.30 0.23	18.67 18.41	7.75 7.49	0.8	10.02 9.62	1.1	1.0 0.4	0.089

Note

1. Plastic or metal protrusions are not included.

OUTLINE VERSION	REFERENCES			EUROPEAN PROJECTION	ISSUE DATE
	IEC	JEDEC	JEITA		
SOP007					03-07-28

## 4-channel BTL driver for CD/DVD drives

TZA1048

**12 SOLDERING****12.1 Introduction to soldering surface mount packages**

This text gives a very brief insight to a complex technology. A more in-depth account of soldering ICs can be found in our *"Data Handbook IC26; Integrated Circuit Packages"* (document order number 9398 652 90011).

There is no soldering method that is ideal for all surface mount IC packages. Wave soldering can still be used for certain surface mount ICs, but it is not suitable for fine pitch SMDs. In these situations reflow soldering is recommended.

**12.2 Reflow soldering**

Reflow soldering requires solder paste (a suspension of fine solder particles, flux and binding agent) to be applied to the printed-circuit board by screen printing, stencilling or pressure-syringe dispensing before package placement. Driven by legislation and environmental forces the worldwide use of lead-free solder pastes is increasing.

Several methods exist for reflowing; for example, convection or convection/infrared heating in a conveyor type oven. Throughput times (preheating, soldering and cooling) vary between 100 and 200 seconds depending on heating method.

Typical reflow peak temperatures range from 215 to 270 °C depending on solder paste material. The top-surface temperature of the packages should preferably be kept:

- below 225 °C (SnPb process) or below 245 °C (Pb-free process)
  - for all BGA, HTSSON-T and SSOP-T packages
  - for packages with a thickness  $\geq 2.5$  mm
  - for packages with a thickness  $< 2.5$  mm and a volume  $\geq 350$  mm<sup>3</sup> so called thick/large packages.
- below 240 °C (SnPb process) or below 260 °C (Pb-free process) for packages with a thickness  $< 2.5$  mm and a volume  $< 350$  mm<sup>3</sup> so called small/thin packages.

Moisture sensitivity precautions, as indicated on packing, must be respected at all times.

**12.3 Wave soldering**

Conventional single wave soldering is not recommended for surface mount devices (SMDs) or printed-circuit boards with a high component density, as solder bridging and non-wetting can present major problems.

To overcome these problems the double-wave soldering method was specifically developed.

If wave soldering is used the following conditions must be observed for optimal results:

- Use a double-wave soldering method comprising a turbulent wave with high upward pressure followed by a smooth laminar wave.
- For packages with leads on two sides and a pitch (e):
  - larger than or equal to 1.27 mm, the footprint longitudinal axis is **preferred** to be parallel to the transport direction of the printed-circuit board;
  - smaller than 1.27 mm, the footprint longitudinal axis **must** be parallel to the transport direction of the printed-circuit board.

The footprint must incorporate solder thieves at the downstream end.

- For packages with leads on four sides, the footprint must be placed at a 45° angle to the transport direction of the printed-circuit board. The footprint must incorporate solder thieves downstream and at the side corners.

During placement and before soldering, the package must be fixed with a droplet of adhesive. The adhesive can be applied by screen printing, pin transfer or syringe dispensing. The package can be soldered after the adhesive is cured.

Typical dwell time of the leads in the wave ranges from 3 to 4 seconds at 250 °C or 265 °C, depending on solder material applied, SnPb or Pb-free respectively.

A mildly-activated flux will eliminate the need for removal of corrosive residues in most applications.

**12.4 Manual soldering**

Fix the component by first soldering two diagonally-opposite end leads. Use a low voltage (24 V or less) soldering iron applied to the flat part of the lead. Contact time must be limited to 10 seconds at up to 300 °C.

When using a dedicated tool, all other leads can be soldered in one operation within 2 to 5 seconds between 270 and 320 °C.

## 4-channel BTL driver for CD/DVD drives

TZA1048

## 12.5 Suitability of surface mount IC packages for wave and reflow soldering methods

PACKAGE <sup>(1)</sup>	SOLDERING METHOD	
	WAVE	REFLOW <sup>(2)</sup>
BGA, HTSSON..T <sup>(3)</sup> , LBGA, LFBGA, SQFP, SSOP..T <sup>(3)</sup> , TFBGA, USON, VFBGA	not suitable	suitable
DHVQFN, HBCC, HBGA, HLQFP, HSO, HSOP, HSQFP, HSSON, HTQFP, HTSSOP, HVQFN, HVSON, SMS	not suitable <sup>(4)</sup>	suitable
PLCC <sup>(5)</sup> , SO, SOJ	suitable	suitable
LQFP, QFP, TQFP	not recommended <sup>(5)(6)</sup>	suitable
SSOP, TSSOP, VSO, VSSOP	not recommended <sup>(7)</sup>	suitable
CWQCCN..L <sup>(8)</sup> , PMFP <sup>(9)</sup> , WQCCN..L <sup>(8)</sup>	not suitable	not suitable

## Notes

- For more detailed information on the BGA packages refer to the “(LF)BGA Application Note” (AN01026); order a copy from your Philips Semiconductors sales office.
- All surface mount (SMD) packages are moisture sensitive. Depending upon the moisture content, the maximum temperature (with respect to time) and body size of the package, there is a risk that internal or external package cracks may occur due to vaporization of the moisture in them (the so called popcorn effect). For details, refer to the Drypack information in the “Data Handbook IC26; Integrated Circuit Packages; Section: Packing Methods”.
- These transparent plastic packages are extremely sensitive to reflow soldering conditions and must on no account be processed through more than one soldering cycle or subjected to infrared reflow soldering with peak temperature exceeding  $217\text{ °C} \pm 10\text{ °C}$  measured in the atmosphere of the reflow oven. The package body peak temperature must be kept as low as possible.
- These packages are not suitable for wave soldering. On versions with the heatsink on the bottom side, the solder cannot penetrate between the printed-circuit board and the heatsink. On versions with the heatsink on the top side, the solder might be deposited on the heatsink surface.
- If wave soldering is considered, then the package must be placed at a  $45^\circ$  angle to the solder wave direction. The package footprint must incorporate solder thieves downstream and at the side corners.
- Wave soldering is suitable for LQFP, TQFP and QFP packages with a pitch (e) larger than 0.8 mm; it is definitely not suitable for packages with a pitch (e) equal to or smaller than 0.65 mm.
- Wave soldering is suitable for SSOP, TSSOP, VSO and VSSOP packages with a pitch (e) equal to or larger than 0.65 mm; it is definitely not suitable for packages with a pitch (e) equal to or smaller than 0.5 mm.
- Image sensor packages in principle should not be soldered. They are mounted in sockets or delivered pre-mounted on flex foil. However, the image sensor package can be mounted by the client on a flex foil by using a hot bar soldering process. The appropriate soldering profile can be provided on request.
- Hot bar or manual soldering is suitable for PMFP packages.

## 4-channel BTL driver for CD/DVD drives

TZA1048

## 13 DATA SHEET STATUS

LEVEL	DATA SHEET STATUS <sup>(1)</sup>	PRODUCT STATUS <sup>(2)(3)</sup>	DEFINITION
I	Objective data	Development	This data sheet contains data from the objective specification for product development. Philips Semiconductors reserves the right to change the specification in any manner without notice.
II	Preliminary data	Qualification	This data sheet contains data from the preliminary specification. Supplementary data will be published at a later date. Philips Semiconductors reserves the right to change the specification without notice, in order to improve the design and supply the best possible product.
III	Product data	Production	This data sheet contains data from the product specification. Philips Semiconductors reserves the right to make changes at any time in order to improve the design, manufacturing and supply. Relevant changes will be communicated via a Customer Product/Process Change Notification (CPCN).

## Notes

1. Please consult the most recently issued data sheet before initiating or completing a design.
2. The product status of the device(s) described in this data sheet may have changed since this data sheet was published. The latest information is available on the Internet at URL <http://www.semiconductors.philips.com>.
3. For data sheets describing multiple type numbers, the highest-level product status determines the data sheet status.

## 14 DEFINITIONS

**Short-form specification** — The data in a short-form specification is extracted from a full data sheet with the same type number and title. For detailed information see the relevant data sheet or data handbook.

**Limiting values definition** — Limiting values given are in accordance with the Absolute Maximum Rating System (IEC 60134). Stress above one or more of the limiting values may cause permanent damage to the device. These are stress ratings only and operation of the device at these or at any other conditions above those given in the Characteristics sections of the specification is not implied. Exposure to limiting values for extended periods may affect device reliability.

**Application information** — Applications that are described herein for any of these products are for illustrative purposes only. Philips Semiconductors make no representation or warranty that such applications will be suitable for the specified use without further testing or modification.

## 15 DISCLAIMERS

**Life support applications** — These products are not designed for use in life support appliances, devices, or systems where malfunction of these products can reasonably be expected to result in personal injury. Philips Semiconductors customers using or selling these products for use in such applications do so at their own risk and agree to fully indemnify Philips Semiconductors for any damages resulting from such application.

**Right to make changes** — Philips Semiconductors reserves the right to make changes in the products - including circuits, standard cells, and/or software - described or contained herein in order to improve design and/or performance. When the product is in full production (status 'Production'), relevant changes will be communicated via a Customer Product/Process Change Notification (CPCN). Philips Semiconductors assumes no responsibility or liability for the use of any of these products, conveys no licence or title under any patent, copyright, or mask work right to these products, and makes no representations or warranties that these products are free from patent, copyright, or mask work right infringement, unless otherwise specified.



# ***Philips Semiconductors – a worldwide company***

## **Contact information**

For additional information please visit <http://www.semiconductors.philips.com>. Fax: +31 40 27 24825

For sales offices addresses send e-mail to: [sales.addresses@www.semiconductors.philips.com](mailto:sales.addresses@www.semiconductors.philips.com).

© Koninklijke Philips Electronics N.V. 2004

SCA76

All rights are reserved. Reproduction in whole or in part is prohibited without the prior written consent of the copyright owner.

The information presented in this document does not form part of any quotation or contract, is believed to be accurate and reliable and may be changed without notice. No liability will be accepted by the publisher for any consequence of its use. Publication thereof does not convey nor imply any license under patent- or other industrial or intellectual property rights.

Printed in The Netherlands

R04/01/pp17

Date of release: 2004 Mar 09

Document order number: 9397 750 11572

*Let's make things better.*

**Philips  
Semiconductors**



**PHILIPS**