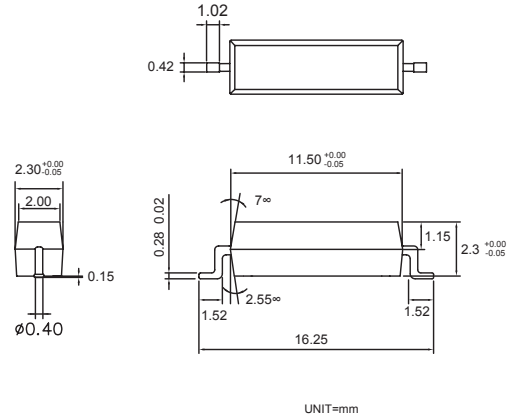


Outside Dimension:Unit (mm)



Schematic:Top View



Absolute Maximum Ratings

(Ta=25°C)

Specifications	Rating	Unit
Contact Rating	1.0	VA (max)
Switching voltage	24	VDC (max)
Switching current	0.1	A (max)
Carry current	0.3	A (max)
Breakdown voltage ( open contact )	150	VDC (min)
Contact resistance ( initial )	150	m (max)
Operate time ( incl. bounce )	1.0	ms (max)
Release time	0.5	ms (max)
Insulation resistance	10 <sup>9</sup>	(max)
Life expectancy ( 5 VDC, 10mA )	3x10 <sup>7</sup>	
Totel pull-in sensitivity	10-40	AT (max)
Operating temp	-40 to 125	°C