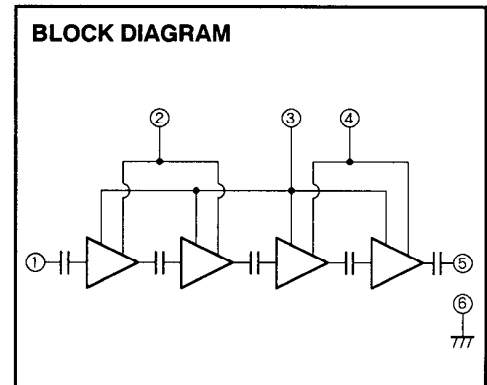
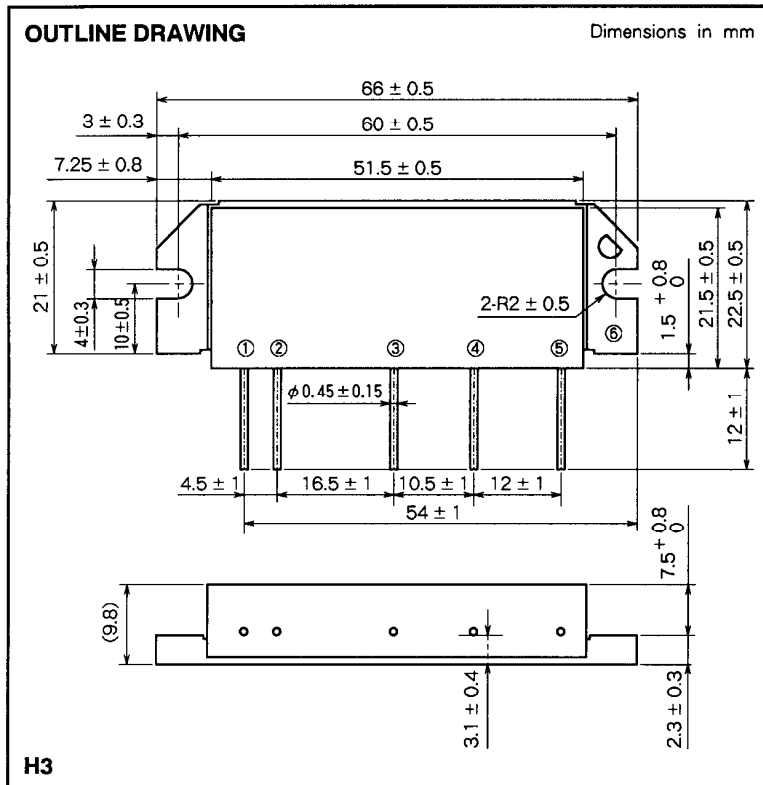


M68719

1240-1300MHz, 12.5V, 16W, FM MOBILE RADIO



- PIN :
- ① Pin : RF INPUT
 - ② Vcc1 : 1st. DC SUPPLY
 - ③ VBB : BASE BIAS SUPPLY
 - ④ Vcc2 : 2nd. DC SUPPLY
 - ⑤ Po : RF OUTPUT
 - ⑥ GND : FIN

ABSOLUTE MAXIMUM RATINGS (T_c = 25 °C unless otherwise noted)

| Symbol | Parameter | Conditions | Ratings | Unit |
|----------------------|----------------------------|--|-------------|------|
| V _{cc1, 2} | Supply voltage | | 17 | V |
| V _{BB} | Base bias | | 8.5 | V |
| I _{cc} | Total current | | 8 | A |
| P _{in(max)} | Input power | V _{cc1} = 12.5V, V _{BB} = 8V, Z _G = Z _L = 50 Ω | 0.16 | W |
| P _{o(max)} | Output power | Z _G = Z _L = 50 Ω | 20 | W |
| T _{C(OP)} | Operation case temperature | | - 30 to 110 | °C |
| T _{stg} | Storage temperature | | - 40 to 110 | °C |

Note. Above parameters are guaranteed independently.

ELECTRICAL CHARACTERISTICS (T_c = 25 °C unless otherwise noted)

| Symbol | Parameter | Test conditions | Limits | | Unit |
|-----------------|---------------------|--|---------------------------|------|------|
| | | | Min | Max | |
| f | Frequency range | V _{cc1} = V _{cc2} = 12.5V V _{BB} = 8V P _{in} = 0.1W Z _G = Z _L = 50 Ω | 1.24 | 1.3 | GHz |
| P _o | Output power | | 16 | | W |
| η _T | Total efficiency | | 28 | | % |
| 2f _o | 2nd. harmonic | | | - 45 | dBc |
| ρ _{in} | Input VSWR | | | 2.5 | - |
| - | Load VSWR tolerance | V _{BB} = 8V, V _{cc2} = 15.2V, P _{in} = 0.1W P _o = 16W (V _{cc1} : controlled), Load VSWR=16:1(All phase) Z _G = 50Ω | No degradation or destroy | | - |

Note. Above parameters, ratings, limits and conditions are subject to change.