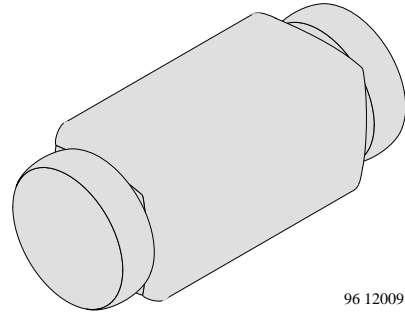


## Silicon Epitaxial Planar Z-Diodes

### Features

- Zener voltage specified at 50  $\mu\text{A}$
- Maximum delta  $V_Z$  given from 10  $\mu\text{A}$  to 100  $\mu\text{A}$
- Very high stability
- Low noise



96 12009

### Applications

Voltage stabilization

### Absolute Maximum Ratings

$T_j = 25^\circ\text{C}$

| Parameter                 | Test Conditions               | Type | Symbol    | Value      | Unit             |
|---------------------------|-------------------------------|------|-----------|------------|------------------|
| Power dissipation         | $R_{thJA} \leq 300\text{K/W}$ |      | $P_V$     | 500        | mW               |
| Z-current                 |                               |      | $I_Z$     | $P_V/V_Z$  | mA               |
| Junction temperature      |                               |      | $T_j$     | 175        | $^\circ\text{C}$ |
| Storage temperature range |                               |      | $T_{stg}$ | -65...+175 | $^\circ\text{C}$ |

### Maximum Thermal Resistance

$T_j = 25^\circ\text{C}$

| Parameter        | Test Conditions             | Symbol     | Value | Unit |
|------------------|-----------------------------|------------|-------|------|
| Junction ambient | on PC board 50mmx50mmx1.6mm | $R_{thJA}$ | 500   | K/W  |

### Characteristics

$T_j = 25^\circ\text{C}$

| Parameter       | Test Conditions    | Type | Symbol | Min | Typ | Max | Unit |
|-----------------|--------------------|------|--------|-----|-----|-----|------|
| Forward voltage | $I_F=100\text{mA}$ |      | $V_F$  |     |     | 1.5 | V    |

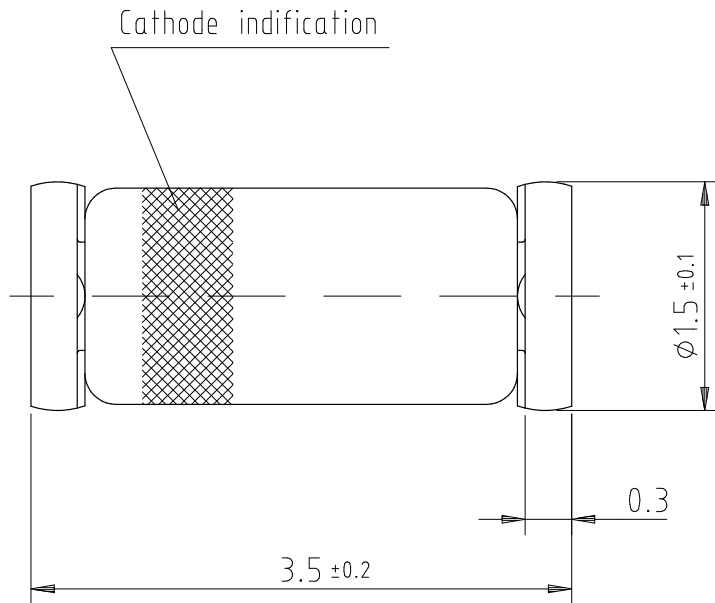
| Type <sup>1)</sup> | Zener Voltage<br>$V_Z @ I_Z = 50 \mu A$ |           |           | Max. Reserve<br>Current<br>$I_R$ <sup>3)</sup><br>$\mu A$ | Test Voltage<br>$V_R$ <sup>3)</sup><br>V | Max. Zener<br>Current<br>$I_{ZM}$ <sup>2)</sup><br>mA | Max. Voltage<br>Change<br>$\Delta V_Z$ <sup>4)</sup><br>V |
|--------------------|---|-----------|-----------|---|--|---|---|
|                    | typ <sup>1)</sup><br>V                  | Min.<br>V | Max.<br>V |   |  |   |   |
| TZS4678            | 1.8                                     | 1.710     | 1.890     | 7.5   | 1.0                                      | 120   | 0.70  |
| TZS4679            | 2.0                                     | 1.900     | 2.100     | 5.0   | 1.0                                      | 110   | 0.70  |
| TZS4680            | 2.2                                     | 2.090     | 2.310     | 4.0   | 1.0                                      | 100   | 0.75  |
| TZS4681            | 2.4                                     | 2.280     | 2.520     | 2.0   | 1.0                                      | 95  | 0.80  |
| TZS4682            | 2.7                                     | 2.565     | 2.835     | 1.0   | 1.0                                      | 90  | 0.85  |
| TZS4683            | 3.0                                     | 2.850     | 3.150     | 0.8   | 1.0                                      | 85  | 0.90  |
| TZS4684            | 3.3                                     | 3.135     | 3.465     | 7.5   | 1.5                                      | 80  | 0.95  |
| TZS4685            | 3.6                                     | 3.420     | 3.780     | 7.5   | 2.0                                      | 75  | 0.95  |
| TZS4686            | 3.9                                     | 3.705     | 4.095     | 5.0   | 2.0                                      | 70  | 0.97  |
| TZS4687            | 4.3                                     | 4.085     | 4.515     | 4.0   | 2.0                                      | 65  | 0.99  |
| TZS4688            | 4.7                                     | 4.465     | 4.935     | 10  | 3.0                                      | 60  | 0.99  |
| TZS4689            | 5.1                                     | 4.845     | 5.355     | 10  | 3.0                                      | 55  | 0.97  |
| TZS4690            | 5.6                                     | 5.320     | 5.880     | 10  | 4.0                                      | 50  | 0.96  |
| TZS4691            | 6.2                                     | 5.890     | 6.510     | 10  | 5.0                                      | 45  | 0.95  |
| TZS4692            | 6.8                                     | 6.460     | 7.140     | 10  | 5.1                                      | 35  | 0.90  |
| TZS4693            | 7.5                                     | 7.125     | 7.875     | 10  | 5.7                                      | 31.8  | 0.75  |
| TZS4694            | 8.2                                     | 7.790     | 8.610     | 1.0   | 6.2                                      | 29.0  | 0.50  |
| TZS4695            | 8.7                                     | 8.265     | 9.135     | 1.0   | 6.6                                      | 27.4  | 0.10  |
| TZS4696            | 9.1                                     | 8.645     | 9.555     | 1.0   | 6.9                                      | 26.2  | 0.08  |
| TZS4697            | 10                                      | 9.500     | 10.50     | 1.0   | 7.6                                      | 24.8  | 0.10  |
| TZS4698            | 11                                      | 10.45     | 11.55     | 0,05  | 8.4                                      | 21.6  | 0.11  |
| TZS4699            | 12                                      | 11.40     | 12.60     | 0.05  | 9.1                                      | 20.4  | 0.12  |

| Type <sup>1)</sup> | Zener Voltage<br>$V_Z @ I_Z = 50 \mu\text{A}$ |           |           | Max. Reserve<br>Current<br>$I_R$ <sup>3)</sup><br>$\mu\text{A}$ | Test Voltage<br>$V_R$ <sup>3)</sup><br>V | Max. Zener<br>Current<br>$I_{ZM}$ <sup>2)</sup><br>mA | Max. Voltage<br>Change<br>$\Delta V_Z$ <sup>4)</sup><br>V |
|--------------------|---|-----------|-----------|---|--|---|---|
|                    | typ <sup>1)</sup><br>V                        | Min.<br>V | Max.<br>V |   |  |   |   |
| TZS4700            | 13  | 12.35     | 13.65     | 0.05  | 9.8                                      | 19.0  | 0.13  |
| TZS4701            | 14  | 13.30     | 14.70     | 0.05  | 10.6                                     | 17.5  | 0.14  |
| TZS4702            | 15  | 14.25     | 15.75     | 0.05  | 11.4                                     | 16.3  | 0.15  |
| TZS4703            | 16  | 15.20     | 16.80     | 0.05  | 12.1                                     | 15.4  | 0.16  |
| TZS4704            | 17  | 16.15     | 17.85     | 0.05  | 12.9                                     | 14.5  | 0.17  |
| TZS4705            | 18  | 17.10     | 18.90     | 0.05  | 13.6                                     | 13.2  | 0.18  |
| TZS4706            | 19  | 18.05     | 19.95     | 0.05  | 14.4                                     | 12.5  | 0.19  |
| TZS4707            | 20  | 19.00     | 21.00     | 0.01  | 15.2                                     | 11.9  | 0.20  |
| TZS4708            | 22  | 20.90     | 23.10     | 0.01  | 16.7                                     | 10.8  | 0.22  |
| TZS4709            | 24  | 22.80     | 25.20     | 0.01  | 18.2                                     | 9.9   | 0.24  |
| TZS4710            | 25  | 23.75     | 26.25     | 0.01  | 19.0                                     | 9.5   | 0.25  |
| TZS4711            | 27  | 25.65     | 28.35     | 0.01  | 20.4                                     | 8.8   | 0.27  |
| TZS4712            | 28  | 26.60     | 29.40     | 0.01  | 21.2                                     | 8.5   | 0.28  |
| TZS4713            | 30  | 28.50     | 31.50     | 0.01  | 22.8                                     | 7.9   | 0.30  |
| TZS4714            | 33  | 31.35     | 34.65     | 0.01  | 25.0                                     | 7.2   | 0.33  |
| TZS4715            | 36  | 34.20     | 37.80     | 0.01  | 27.3                                     | 6.6   | 0.36  |
| TZS4716            | 39  | 37.05     | 40.95     | 0.01  | 29.6                                     | 6.1   | 0.39  |
| TZS4717            | 43  | 40.85     | 45.15     | 0.01  | 32.6                                     | 5.5   | 0.43  |

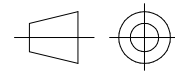
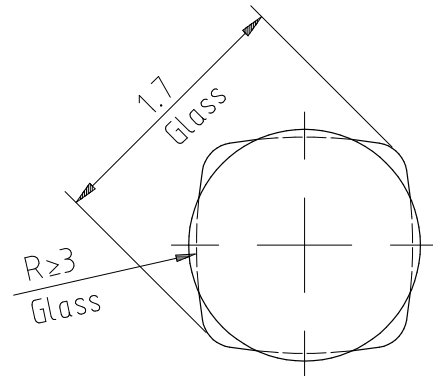
### Notes

1. Tolerances and voltage designation ( $V_Z$ )  
The type numbers shown have a standard tolerance of  $\pm 5\%$  on the nominal Zener voltage
2. Maximum Zener current ratings ( $I_{ZM}$ )  
Maximum Zener current ratings are based on maximum Zener voltage of the individual units
3. Reverse leakage current ( $I_R$ )  
Reserve leakage currents are guaranteed and measured at  $V_R$  as shown on the table
4. Maximum voltage change ( $\Delta V_Z$ )  
Voltage change is equal to the difference between  $V_Z$  at  $100 \mu\text{A}$  and  $V_Z$  at  $10 \mu\text{A}$

## Dimensions in mm



Glass case  
Quadro MELF  
similar to JEDEC 213 AA



technical drawings  
according to DIN  
specifications

96 12071

## **Ozone Depleting Substances Policy Statement**

It is the policy of **TEMIC TELEFUNKEN microelectronic GmbH** to

1. Meet all present and future national and international statutory requirements.
2. Regularly and continuously improve the performance of our products, processes, distribution and operating systems with respect to their impact on the health and safety of our employees and the public, as well as their impact on the environment.

It is particular concern to control or eliminate releases of those substances into the atmosphere which are known as ozone depleting substances (ODSs).

The Montreal Protocol (1987) and its London Amendments (1990) intend to severely restrict the use of ODSs and forbid their use within the next ten years. Various national and international initiatives are pressing for an earlier ban on these substances.

**TEMIC TELEFUNKEN microelectronic GmbH** semiconductor division has been able to use its policy of continuous improvements to eliminate the use of ODSs listed in the following documents.

1. Annex A, B and list of transitional substances of the Montreal Protocol and the London Amendments respectively
2. Class I and II ozone depleting substances in the Clean Air Act Amendments of 1990 by the Environmental Protection Agency (EPA) in the USA
3. Council Decision 88/540/EEC and 91/690/EEC Annex A, B and C (transitional substances) respectively.

**TEMIC** can certify that our semiconductors are not manufactured with ozone depleting substances and do not contain such substances.

**We reserve the right to make changes to improve technical design and may do so without further notice.**

Parameters can vary in different applications. All operating parameters must be validated for each customer application by the customer. Should the buyer use TEMIC products for any unintended or unauthorized application, the buyer shall indemnify TEMIC against all claims, costs, damages, and expenses, arising out of, directly or indirectly, any claim of personal damage, injury or death associated with such unintended or unauthorized use.

TEMIC TELEFUNKEN microelectronic GmbH, P.O.B. 3535, D-74025 Heilbronn, Germany  
Telephone: 49 (0)7131 67 2831, Fax number: 49 (0)7131 67 2423