

CS3361

Alternator Voltage Regulator FET Driver

The CS3361 integral alternator regulator integrated circuit provides the voltage regulation for automotive, 3-phase alternators.

It drives an external logic level N channel enhancement power FET for control of the alternator field current. In the event of a charge fault, a lamp output pin is provided to drive an external darlington transistor capable of switching on a fault indicator lamp. An overvoltage or no Stator signal condition activates the lamp output.

A STATOR Power Up feature is incorporated for systems which require power up activation by sensing the crank cycle of the starter at the stator. This eliminates unnecessary current drain when the ignition is turned on, but the car is not running. The CS3361 is available in an SO-14 package.

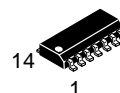
Features

- Drives Logic Level Power NFET
- 80 V Load Dump
- Temperature Compensated Regulation Voltage
- Shorted Field Protection Duty Cycle, Self Clearing
- STATOR Power Up



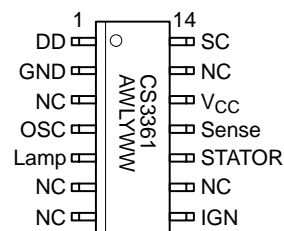
ON Semiconductor™

<http://onsemi.com>



SO-14
D SUFFIX
CASE 751A

PIN CONNECTIONS AND MARKING DIAGRAM



A = Assembly Location
WL, L = Wafer Lot
YY, Y = Year
WW, W = Work Week

ORDERING INFORMATION

Device	Package	Shipping
CS3361YD14	SO-14	55 Units/Rail
CS3361YDR14	SO-14	2500 Tape & Reel

CS3361

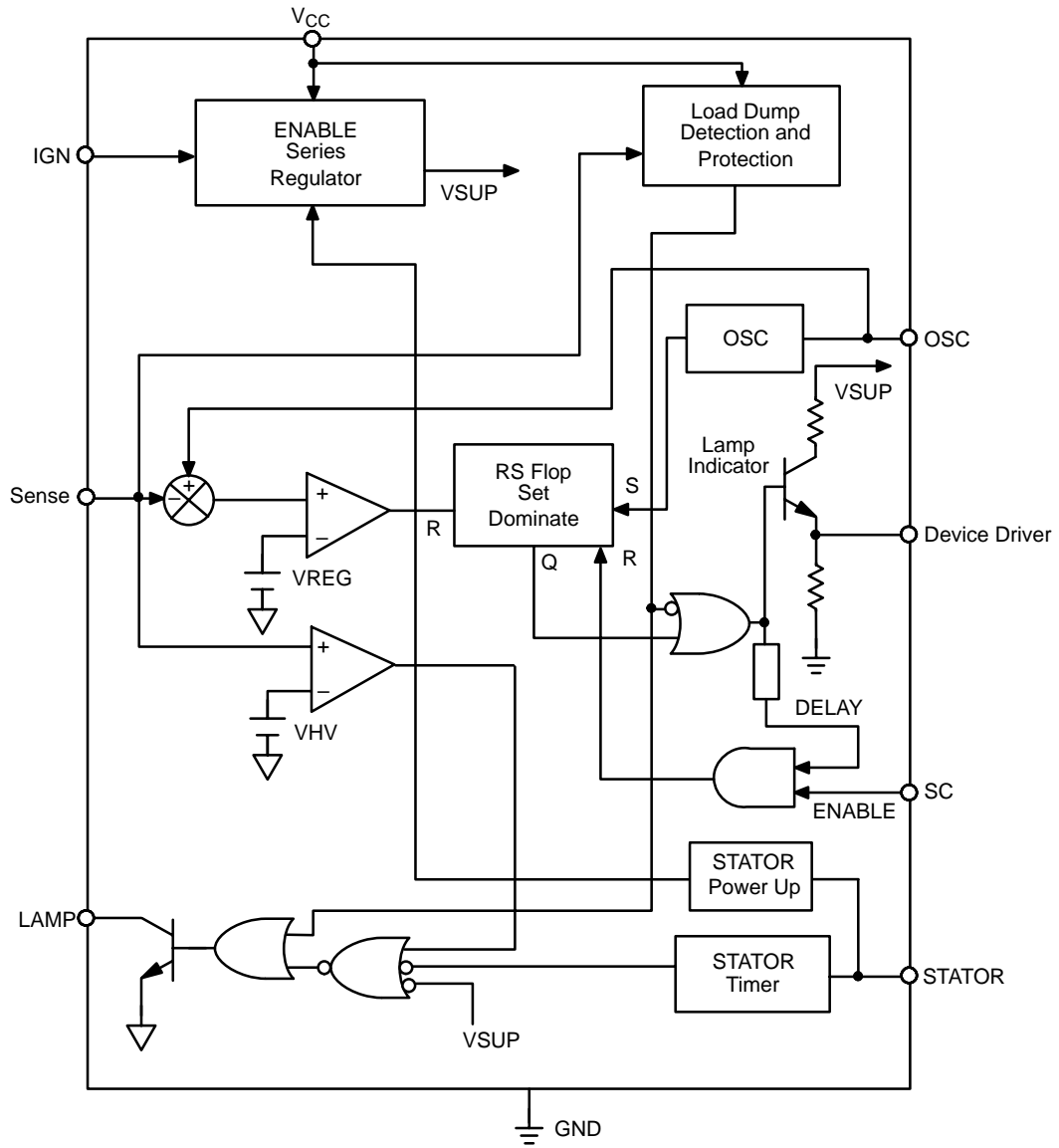


Figure 1. Block Diagram

CS3361

MAXIMUM RATINGS*

Rating	Value	Unit
Storage Temperature Range, T_S	-55 to +165	°C
Junction Temperature Range	-40 to 150	°C
Continuous Supply	27	V
I_{CC} Load Dump (@ $V_{CC} = 80 V_{peak}$)	400	mA
Lead Temperature Soldering:	Reflow: (SMD styles only) (Note 1.)	230 peak °C

1. 60 second maximum above 183°C.

*The maximum package power dissipation must be observed.

ELECTRICAL CHARACTERISTICS ($-40^{\circ}\text{C} < T_A < 125^{\circ}\text{C}$, $-40^{\circ}\text{C} < T_J < 150^{\circ}\text{C}$, $9.0\text{ V} \leq V_{CC} \leq 17\text{ V}$;

unless otherwise specified.)

Characteristic	Test Conditions	Min	Typ	Max	Unit
Supply					
Supply Current Enabled	–	–	–	10	mA
Supply Current Disabled	–	–	–	50	μA
Driver Stage					
Output High Voltage	–	5.5	–	12	V
Output Low Voltage	$I_{OL} = 25\ \mu\text{A}$	–	–	0.35	V
Output High Current	$V_{DD} = 1.2\text{ V}$	-10	-6.0	-4.0	mA
Minimum ON Time	$C_{OSC} = 0.022\ \mu\text{F}$	200	–	–	μs
Minimum Duty Cycle	–	–	6.0	10	%
Short Circuit Duty Cycle	–	1.0	–	5.0	%
Field Switch Turn On Rise Time	–	15	–	75	μs
Field Switch Turn On Fall Time	–	15	–	75	μs
Stator					
Input High Voltage	–	10	–	–	V
Input Low Voltage	–	–	–	6.0	V
Stator Time Out	High to Low	6.0	100	600	ms
Lamp					
Output High Current	$V_{LAMP} @ 3.0\text{ V}$	–	–	50	μA
Output Low Voltage	$I_{LAMP} @ 30\text{ mA}$	–	–	0.35	V
Ignition					
Input High Voltage	$I_{CC} > 1.0\text{ mA}$	1.8	–	–	V
Input Low Voltage	$I_{CC} < 100\ \mu\text{A}$	–	–	0.5	V
Oscillator					
Oscillator Frequency	$C_{OSC} = 0.022\ \mu\text{F}$	90	–	210	Hz
Rise Time/Fall Time	$C_{OSC} = 0.022\ \mu\text{F}$	–	17	–	–
Oscillator High Threshold	$C_{OSC} = 0.022\ \mu\text{F}$	–	–	4.5	V

CS3361

ELECTRICAL CHARACTERISTICS (continued) ($-40^{\circ}\text{C} < T_A < 125^{\circ}\text{C}$, $-40^{\circ}\text{C} < T_J < 150^{\circ}\text{C}$, $9.0\text{ V} \leq V_{CC} \leq 17\text{ V}$; unless otherwise specified.)

Characteristic	Test Conditions	Min	Typ	Max	Unit
Battery Sense					
Input Current	–	–10	–	+10	μA
Regulation Voltage	@25°C, $R_1 = 100\text{ k}\Omega$, $R_2 = 50\text{ k}\Omega$	13.8	–	15.8	V
Proportional Control	–	0.10	–	0.25	V
High Voltage Threshold Ratio	$\frac{V_{\text{High Voltage@LampOn}}}{V_{\text{Regulation@50\%Duty Cycle}}}$	1.083	–	1.190	V/V
High Voltage Hysteresis	–	0.020	–	0.600	V

PACKAGE PIN DESCRIPTION

PACKAGE PIN #	PIN SYMBOL	FUNCTION
SO–14		
1	Driver	Output driver for external power switch.
2	GND	Ground.
3, 6, 7, 9, 13	NC	No Connection.
4	OSC	Timing capacitor for oscillator.
5	Lamp	Base driver for lamp driver indicates no stator signal or overvoltage condition.
8	IGN	Switched ignition power up.
10	Stator	Stator signal input for stator timer.
11	Sense	Battery sense voltage regulator comparator input and protection.
12	V _{CC}	Supply for IC.
14	SC	Short circuit sensing.

TYPICAL PERFORMANCE CHARACTERISTICS

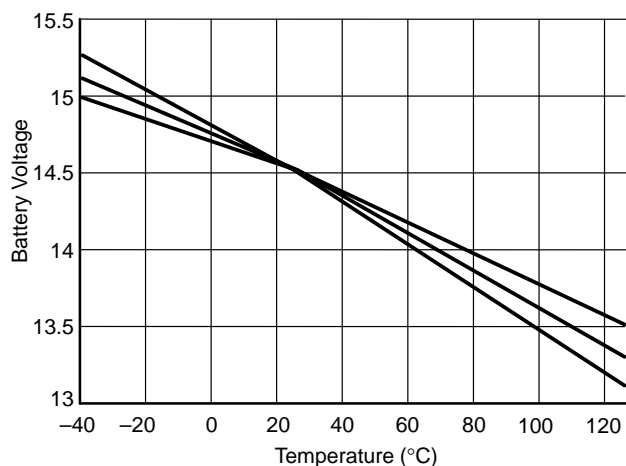


Figure 2. CS3361 Battery Voltage vs. Temperature (°C) Over Process Variation

APPLICATIONS INFORMATION

The CS3361 is designed for use in an alternator charging system.

In a standard alternator design (Figure 3), the rotor carries the field winding. An alternator rotor usually has several N and S poles. The magnetic field for the rotor is produced by forcing current through a field or rotor winding. The stator windings are formed into a number of coils spaced around a cylindrical core. The number of coils equals the number of pairs of N and S poles on the rotor. The alternating current in the stator windings is rectified by the diodes and applied to the regulator. By controlling the amount of field current, the magnetic field strength is controlled and hence the output voltage of the alternator.

Referring to Figure 4, a typical application diagram, the oscillator frequency is set by an external capacitor connected between OSC and ground. The sawtooth waveform ramps between 1.0 V and 3.0 V and provides the timing for the system. For the circuit shown the oscillator frequency is approximately 140 Hz. The alternator voltage is sensed at Terminal A via the resistor divider network R1/R2 on the Sense pin of the IC. The voltage at the sense pin determines the duty cycle for the regulator. The voltage is adjusted by potentiometer R2. A relatively low voltage on the sense pin causes a long duty cycle that increases the field current. A high voltage results in a short duty cycle.

The ignition Terminal (I) switches power to the IC through the V_{CC} pin. The Stator pin monitors the voltage from the stator and senses a stopped engine condition. It drives the Lamp pin high after the stator timeout expires. The Lamp pin also goes high when an overvoltage condition

is detected on the sense pin. This causes the darlington lamp drive transistor to switch on and pull current through the lamp. If the system voltage continues to increase, the field and lamp output turn off as in an overvoltage or load dump condition.

The SC or Short Circuit pin monitors the field voltage. If the drive output and the SC voltage are simultaneously high for a predetermined period, a short circuit condition is assumed and the output is disabled. The regulator is forced to a minimum short circuit duty cycle.

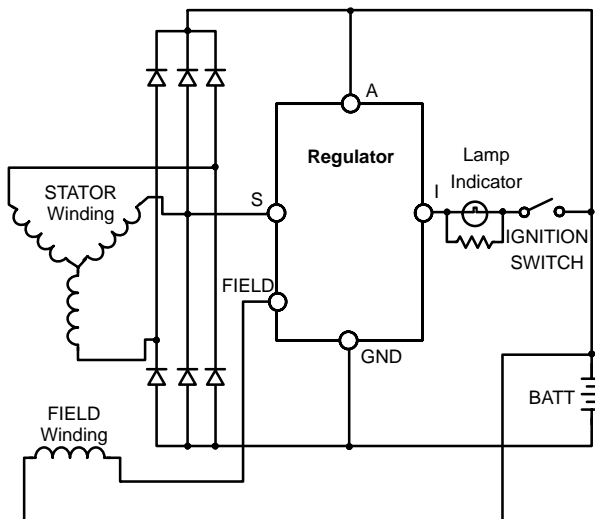


Figure 3. IAR System Block Diagram

CS3361

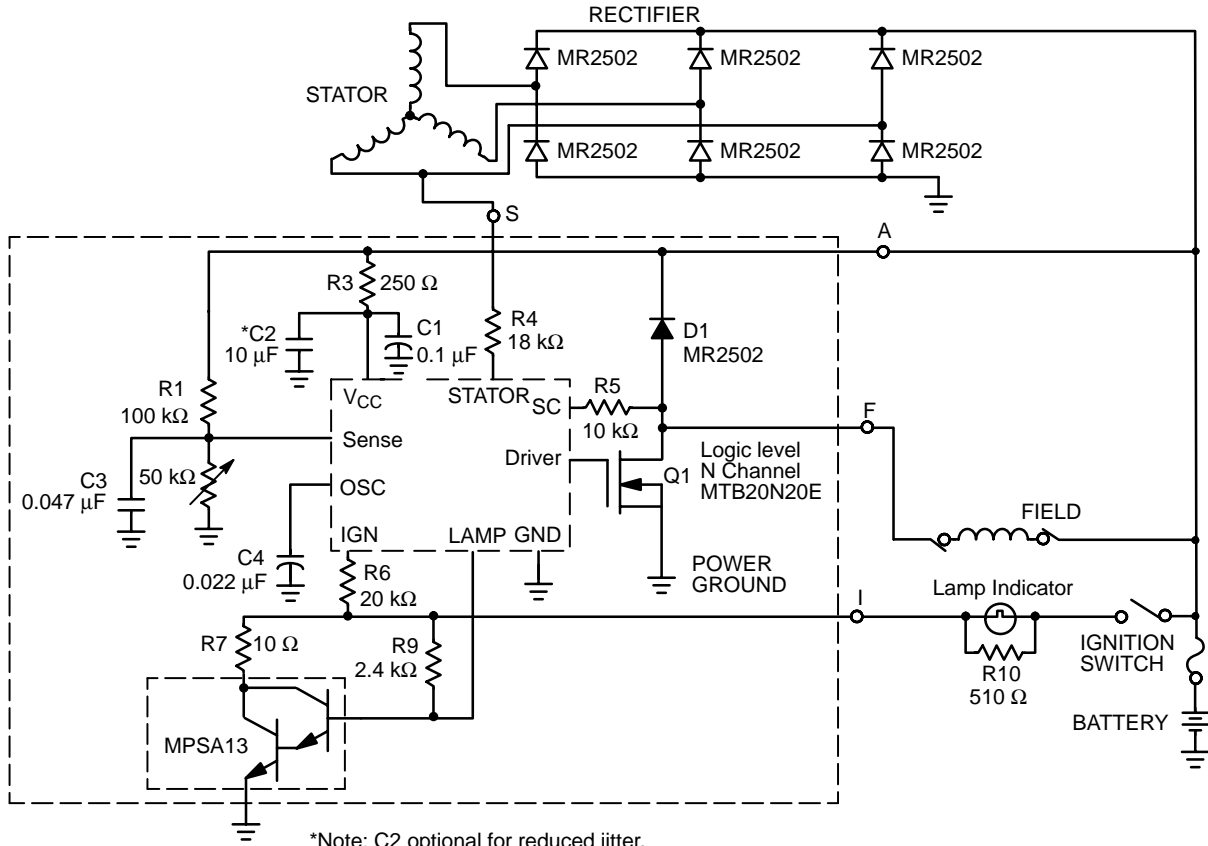
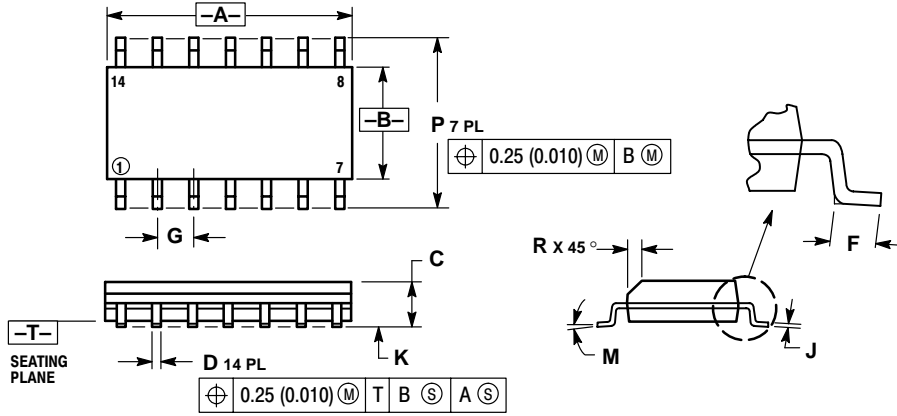


Figure 4. Typical Application Diagram

CS3361

PACKAGE DIMENSIONS

SO-14
D SUFFIX
CASE 751A-03
ISSUE F




NOTES:

1. DIMENSIONING AND TOLERANCING PER ANSI Y14.5M, 1982.
2. CONTROLLING DIMENSION: MILLIMETER.
3. DIMENSIONS A AND B DO NOT INCLUDE MOLD PROTRUSION.
4. MAXIMUM MOLD PROTRUSION 0.15 (0.006) PER SIDE.
5. DIMENSION D DOES NOT INCLUDE DAMBAR PROTRUSION. ALLOWABLE DAMBAR PROTRUSION SHALL BE 0.127 (0.005) TOTAL IN EXCESS OF THE D DIMENSION AT MAXIMUM MATERIAL CONDITION.

DIM	MILLIMETERS		INCHES	
	MIN	MAX	MIN	MAX
A	8.55	8.75	0.337	0.344
B	3.80	4.00	0.150	0.157
C	1.35	1.75	0.054	0.068
D	0.35	0.49	0.014	0.019
F	0.40	1.25	0.016	0.049
G	1.27 BSC		0.050 BSC	
J	0.19	0.25	0.008	0.009
K	0.10	0.25	0.004	0.009
M	0°	7°	0°	7°
P	5.80	6.20	0.228	0.244
R	0.25	0.50	0.010	0.019

PACKAGE THERMAL DATA

Parameter		SO-14	Unit
R _{θJC}	Typical	30	°C/W
R _{θJA}	Typical	125	°C/W

ON Semiconductor and  are trademarks of Semiconductor Components Industries, LLC (SCILLC). SCILLC reserves the right to make changes without further notice to any products herein. SCILLC makes no warranty, representation or guarantee regarding the suitability of its products for any particular purpose, nor does SCILLC assume any liability arising out of the application or use of any product or circuit, and specifically disclaims any and all liability, including without limitation special, consequential or incidental damages. "Typical" parameters which may be provided in SCILLC data sheets and/or specifications can and do vary in different applications and actual performance may vary over time. All operating parameters, including "Typicals" must be validated for each customer application by customer's technical experts. SCILLC does not convey any license under its patent rights nor the rights of others. SCILLC products are not designed, intended, or authorized for use as components in systems intended for surgical implant into the body, or other applications intended to support or sustain life, or for any other application in which the failure of the SCILLC product could create a situation where personal injury or death may occur. Should Buyer purchase or use SCILLC products for any such unintended or unauthorized application, Buyer shall indemnify and hold SCILLC and its officers, employees, subsidiaries, affiliates, and distributors harmless against all claims, costs, damages, and expenses, and reasonable attorney fees arising out of, directly or indirectly, any claim of personal injury or death associated with such unintended or unauthorized use, even if such claim alleges that SCILLC was negligent regarding the design or manufacture of the part. SCILLC is an Equal Opportunity/Affirmative Action Employer.

PUBLICATION ORDERING INFORMATION

Literature Fulfillment:

Literature Distribution Center for ON Semiconductor
P.O. Box 5163, Denver, Colorado 80217 USA
Phone: 303-675-2175 or 800-344-3860 Toll Free USA/Canada
Fax: 303-675-2176 or 800-344-3867 Toll Free USA/Canada
Email: ONlit@hibbertco.com

N. American Technical Support: 800-282-9855 Toll Free USA/Canada

JAPAN: ON Semiconductor, Japan Customer Focus Center
4-32-1 Nishi-Gotanda, Shinagawa-ku, Tokyo, Japan 141-0031
Phone: 81-3-5740-2700
Email: r14525@onsemi.com

ON Semiconductor Website: <http://onsemi.com>

For additional information, please contact your local Sales Representative.