



義隆電子股份有限公司

ELAN MICROELECTRONICS CORP.

EM78P569

8-BIT OTP MICRO-CONTROLLER

Version V4.4

ELAN MICROELECTRONICS CORP.
No. 12, Innovation 1st RD., Science-Based Industrial Park
Hsin Chu City, Taiwan, R.O.C.
TEL: (03) 5639977
FAX: (03) 5630118



Version History

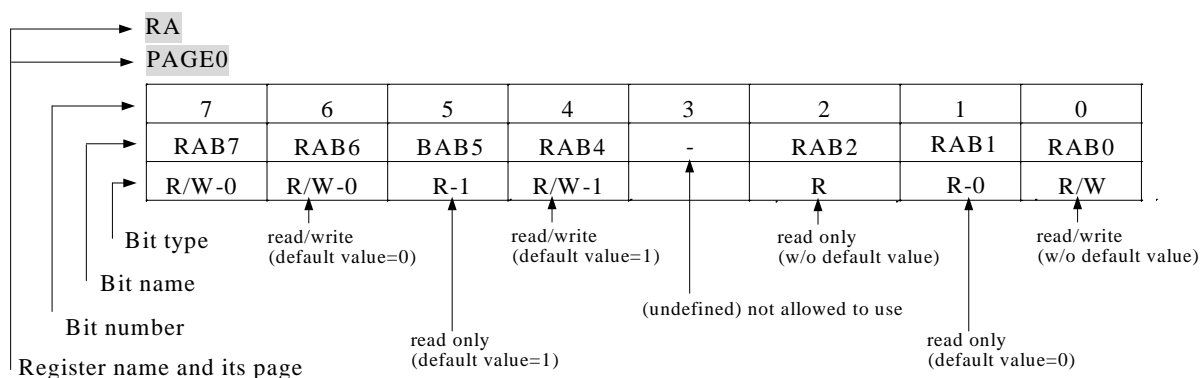
Specification Revision History	
Version	Content
EM78P569	
3.7	Modify Multiplier function
3.8	1. Move DARES bit from bit7 to bit3. 2. Change instruction "MUL" → "INT A"
3.9	1. Update Application Note 2. Add 17.91MHz main CLK
4.0	1. Add data RAM address auto-increase function 2. Add mclk/2 signal output. (output shared with PC0) 3. Add carry bit calculation function.(ADD, SUB)
4.1	Modify the relative between VERSEL (code option) and PLUS (RA page2)
4.2	Modify code option define.
4.3	Add the OSC stable and reset timing diagram
4.4	Remove IDLE mode Modify operating temperature



User Application Note

(Before using this chip, take a look at the following description note, it includes important messages.)

1. There are some undefined bits in the registers. The values in these bits are unpredicted. These bits are not allowed to use. We use the symbol “-” in the spec to recognize them.
2. You will see some names for the register bits definitions. Some name will be appear very frequently in the whole spec. The following describes the meaning for the register’s definitions such as bit type, bit name, bit number and so on.



3. Always set IOCC PAGE1 bit 1 = 1 otherwise partial ADC function cannot be used.
4. For 8 bits resolution DAC, DAO pin will output corresponding voltage after write new data to DAC data buffer(RA PAGE1). For 10 bits resolution, DAO pin will output constant after change DAC most significant 2 bits (R5 PAGE1 bit6~7). DAO will output correct voltage after write data to least significant 8 bits. That is to say, **when using 10 bits resolution DAC, user must write most significant 2 bits and least significant 8 bits in order.**
5. Base on “VERSEL”(code option) equal 0 or 1, R8 page1 and RB page2’s define are different.
 - “VERSEL” = 0: R8 page1 defined to data RAM address buffer
 RB page2 defined to multiplier’s Y data or Y address buffer (controlled by RA page2 bit5 “INDR”).
 RA page2 bit4(PLUS) determine RAM address auto increase or not (only for multiplier’s addressing).
 RA page2 bit7 is undefined.
 - “VERSEL” = 1: R8 page1 is undefined.
 RA page2 bit4(PLUS) determine RAM address auto increase or not (for data RAM and multiplier’s addressing).
 RA page2 bit7(INS) determine .
 RB page2 defined to multiplier’s Y data, Y address or data RAM address buffer.
6. The carry bit’s initial value is un-know, please define the initial value before execute first ADD or SUB instruction that include carry bit.(VERSEL =1 and INS = 1)
7. In EM78569’s developing tool, “VERSEL” and “PHO” are at RD page2 bit6 and bit5, but in mask chip, these two bits will mapping to code option. Please set these two bits to fixed value at initial and do not change these two bit among your program.

The differences between ICE569, EM78P569 and EM78569.

	ICE569	EM78P569	EM78569
Stack	16	16	12



I. General Description

The EM78P569 is an 8-bit RISC type microprocessor with low power, high speed CMOS technology. There are 16Kx13 bits Electrical One Time Programmable Read Only Memory (OTP-ROM) within it. It provides security bits and some One time programmable Option bits to protect the OTP memory code from any external access as well as to meet user's options.

This integrated single chip has an on_chip watchdog timer (WDT), program OTP-ROM, data RAM, LCD driver, programmable real time clock/counter, internal interrupt, power down mode, built-in three-wire SPI, dual PWM(Pulse Width Modulation), 6-channel 10-bit A/D converter, 10-bit D/A converter and tri-state I/O.

II. Feature

CPU

Operating voltage : 2.2V~5.5V at main CLK less then 3.58MHz.

Main CLK(Hz)	Under 3.58M	7.16M	10.74M	14.4M	17.9M
Operating Voltage(min)	2.2	2.5	3	3.6	4V

16k x 13 on chip Electrical One Time Programmable Read Only Memory (OTP-ROM)

1k x 8 on chip data RAM

Up to 51 bi-directional tri-state I/O ports

16 level stack for subroutine nesting

8-bit real time clock/counter (TCC)

two 8-bit counters : COUNTER1 and COUNTER2

On-chip watchdog timer (WDT)

99.9% single instruction cycle commands

8 level Normal mode frequency : 447.8K , 895.7K , 1.79M , 3.58M , 7.16M , 10.75M , 14.3M and 17.9M Hz.

Mode	CPU status	Main clock	32.768kHz clock status
Sleep mode	Turn off	Turn off	Turn off
Green mode	Turn on	Turn off	Turn on
Normal mode	Turn on	Turn on	Turn on

Input port interrupt function

12 interrupt source, 4 external, 8 internal

Dual clocks operation (Internal PLL main clock , External 32.768KHz)

8x8 accumulated multiplication-addition multiplier with sign and address auto-increment function

SPI

Serial Peripheral Interface (SPI) : a kind of serial I/O interface

Interrupt flag available for the read buffer full,

Programmable baud rates of communication

Three-wire synchronous communication. (shared with IO)

PWM

Dual PWM (Pulse Width Modulation) with 10-bit resolution

Programmable period (or baud rate)

Programmable duty cycle

ADC

Operating : 2.5V ~ 5.5V

6-channel 10-bit successive approximation A/D converter

Internal (VDD) or external reference

DAC

Operating : 2.5V ~ 5.5V under VDD reference, 2.8V ~ 5.5V under 2.5V reference

10-bit R-2R D/A converter

Internal (VDD or 2.5V) reference

POR

2.0V Power-on reset



LCD

Common driver pins : 4
Segment driver pins : 32
1/3 bias
1/4 duty, 1/2 duty
16 Level LCD contrast control by software

Multiplier

8 x 8 multiplier

PACKAGE

100-pin QFP
73-pin die

III. Application

Communication or general product.



OTP PIN NAME	MASK ROM PIN NAME	P.S.
VDD	AVDD	
VPP	/RESET	
DINCK	P65	
ACLK	P64	
PGMB	P63	
OEB	P62	
DATA	P73	
GND	AVSS	

V. Functional Block Diagram

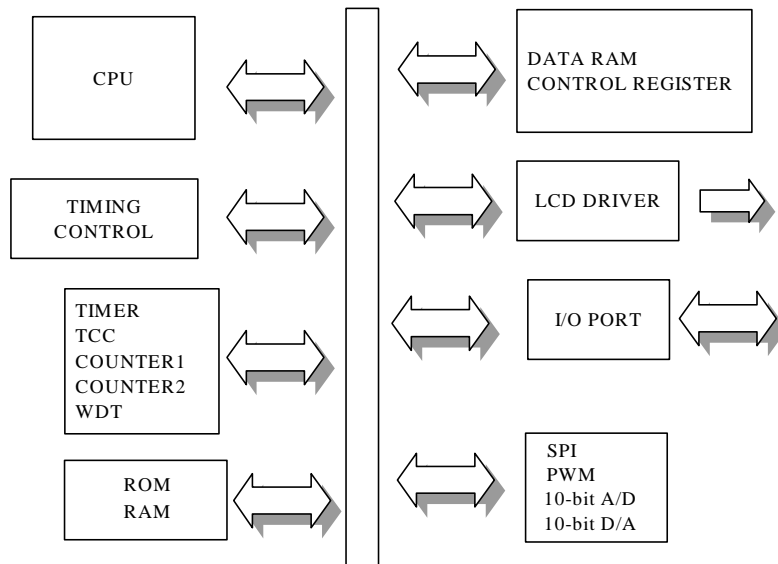


Fig.2a Block diagram

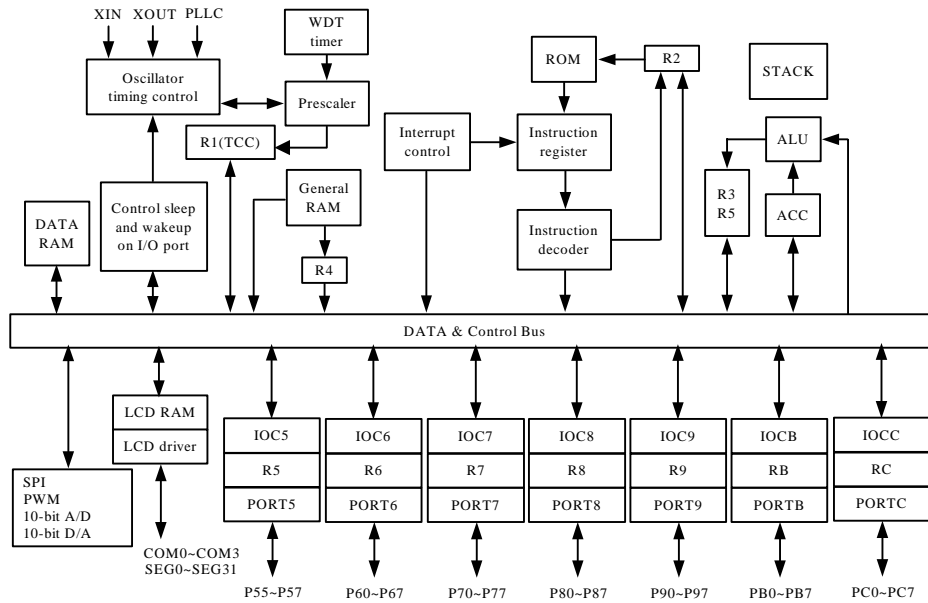


Fig.2b Block diagram

VI. Pin Descriptions

PIN	I/O	DESCRIPTION
POWER		
VDD AVDD	POWER	Power
VSS AVSS	POWER	Ground
CLOCK		
XIN	I	Input pin for 32.768 kHz oscillator
XOUT	O	Output pin for 32.768 kHz oscillator
PLLC	I	Phase loop lock capacitor, connect a capacitor 0.01u to 0.047u to the ground.
LCD		
COM0 ~ COM3	O	Common driver pins of LCD drivers
SEG0 ~ SEG9	O	Segment driver pins of LCD drivers
SEG10 ~ SEG12	O (I/O : PORT5)	SEG10 to SEG31 are shared with IO PORT.
SEG13 ~ SEG20	O (I/O : PORT9)	
SEG21 ~ SEG28	O (I/O : PORTB)	
SEG29 ~ SEG31	O (I/O : PORTC)	
10-bit A/D		
AD1	I (P60)	ADC input channel 1. Shared with PORT60
AD2	I (P61)	ADC input channel 2. Shared with PORT61
AD3	I (P62)	ADC input channel 3. Shared with PORT62
AD4	I (P63)	ADC input channel 4. Shared with PORT63
AD5	I (P64)	ADC input channel 1. Shared with PORT64
AD6	I (P65)	ADC input channel 2. Shared with PORT65
VREF	I (P66)	ADC external reference input. Shared with PORT66

* This specification is subject to be changed without notice.



10-bit D/A		
DAO	O(P67)	DAO is 10 bit DA output shared with PORT67
SPI		
SCK	IO (PORT76)	Master: output pin, Slave: input pin. This pin shared with PORT76.
SDO	O (PORT75)	Output pin for serial data transferring. This pin shared with PORT75.
SDI	I (PORT74)	Input pin for receiving data. This pin shared with PORT74.
PWM		
PWM1	O (PC1)	Pulse width modulation output channel 1 Shared with PC1
PWM2	O (PC2)	Pulse width modulation output channel 2 Shared with PC2
IO		
P55~P57	I/O	PORT5 can be INPUT or OUTPUT port each bit. PORT5(7:5) are shared with LCD Segment signal.
P60 ~P67	I/O	PORT6 can be INPUT or OUTPUT port each bit.
P70 ~ P77	I/O	PORT7 can be INPUT or OUTPUT port each bit. PORT7(4~6) are shared with SPI interface pins Internal Pull high function. PORT7(0~3) has interrupt function.
P80 ~ P87	I/O	PORT8 can be INPUT or OUTPUT port each bit. Internal pull high. PORT85 ~ P87 are shared with ADC input PORT8(0~3) have wake-up functions(set by RE PAGE0)
P90 ~ P97	I/O	PORT9 can be INPUT or OUTPUT port each bit. PORT9 are shared with LCD Segment signal.
PB0 ~ PB7	I/O	PORTB can be INPUT or OUTPUT port each bit. PORTB are shared with LCD Segment signal.
PC0 ~ PC7	I/O	PORTC can be INPUT or OUTPUT port each bit. PORTC(0~1) are shared with PWM output pins PORTC(7:5) are shared with LCD Segment signal.
SCLKO	O	mclk/2's CLK output.(25% duty cycle)
INT0	(PORT70)	Interrupt sources. Once PORT70 has a falling edge or rising edge signal (controlled by CONT register), it will generate a interruption.
INT1	(PORT71)	Interrupt sources which has the same interrupt flag. Any pin from PORT71 has a falling edge signal, it will generate a interruption.
INT2	(PORT72)	Interrupt sources which has the same interrupt flag. Any pin from PORT72 has a falling edge signal, it will generate a interruption.
INT3	(PORT73)	Interrupt sources which has the same interrupt flag. Any pin from PORT73 has a falling edge signal, it will generate a interruption.
/RESET	I	Low reset



VII. Functional Descriptions

VII.1 Operational Registers

Register configuration

Addr	R PAGE registers			
	R PAGE0	R PAGE1	R PAGE2	R PAGE3
00	Indirect addressing			
01	TCC			
02	PC			
03	Page, Status			
04	RAM bank, RSR			
05	Port5 I/O data, Program ROM page	LCD RAM address	SPI control	PWM control
06	Port6 I/O data	LCD RAM data buffer	SPI data buffer	Duty of PWM1
07	Port7 I/O data	Data RAM bank		PWM1 control Duty of PWM1
08	Port8 I/O data	Data RAM address		Period of PWM1
09	Port9 I/O data	Data RAM data buffer		Duty of PWM2
0A	PLL, Main clock, WDTE	DAC input data buffer	Multiplier control	PWM2 control Duty of PWM2
0B	PortB I/O data	ADC output data buffer	Multiplicant Y	Period of PWM2
0C	PortC I/O data	Counter1 data	Mul result MR(0~7)	
0D	LCD control	Counter2 data	Mul result MR(8~15)	
0E	Wake-up control, Interrupt flag		Mul result MR(16~23)	
0F	Interrupt flag			
10	16 bytes			
:	Common registers			
1F				
20	Bank0~Bank3			
:	Common registers			
3F	(32x8 for each bank)			

Addr	IOC PAGE registers	
	IOC PAGE0	IOC PAGE1
00		
01		
02		
03		
04		
05	Port5 I/O control, LCD bias control	
06	Port6 I/O control	Port6 switches
07	Port7 I/O control	Port7 pull high
08	Port8 I/O control	Port8 pull high
09	Port9 I/O control	Port9 switches
0A		

* This specification is subject to be changed without notice.



0B	PortB I/O control	ADC control
0C	PortC I/O control	Port5,8,B,C switch
0D		Clock source(CN1,CN2) Prescaler(CN1,CN2)
0E	Interrupt mask	
0F	Interrupt mask	
10		
:		
1F		
20		
:		
3F		

VII.2 Operational Register Detail Description

R0 (Indirect Addressing Register)

R0 is not a physically implemented register. It is used as indirect addressing pointer. Any instruction using R0 as register actually accesses data pointed by the RAM Select Register (R4).

Example:

```
Mov  A, @0x20      ;store a address at R4 for indirect addressing
Mov  0x04, A
Mov  A, @0xAA      ;write data 0xAA to R20 at bank0 through R0
Mov  0x00, A
```

R1 (TCC)

TCC data buffer. Increased by 16.384KHz or by the instruction cycle clock (controlled by CONT register).
Written and read by the program as any other register.

R2 (Program Counter)

The structure is depicted in Fig.3.

Generates $16k \times 13$ on-chip PROGRAM OTP-ROM addresses to the relative programming instruction codes.

"JMP" instruction allows the direct loading of the low 10 program counter bits.

"CALL" instruction loads the low 10 bits of the PC, PC+1, and then push into the stack.

"RET" ("RETL k", "RETI") instruction loads the program counter with the contents at the top of stack.

"MOV R2, A" allows the loading of an address from the A register to the PC, and the ninth and tenth bits are cleared to "0".

"ADD R2,A" allows a relative address be added to the current PC, and contents of the ninth and tenth bits are cleared to "0".

"TBL" allows a relative address added to the current PC, and contents of the ninth and tenth bits don't change. The most significant bit (A10~A13) will be loaded with the contents of bit PS0~PS3 in the status register (R5 PAGE0) upon the execution of a "JMP", "CALL", "ADD R2, A", or "MOV R2, A" instruction.

If an interrupt is triggered, PROGRAM ROM will jump to address 0x08 at page0. The CPU will store ACC, R3 status and R5 PAGE automatically, and they will be restored after instruction RETI.

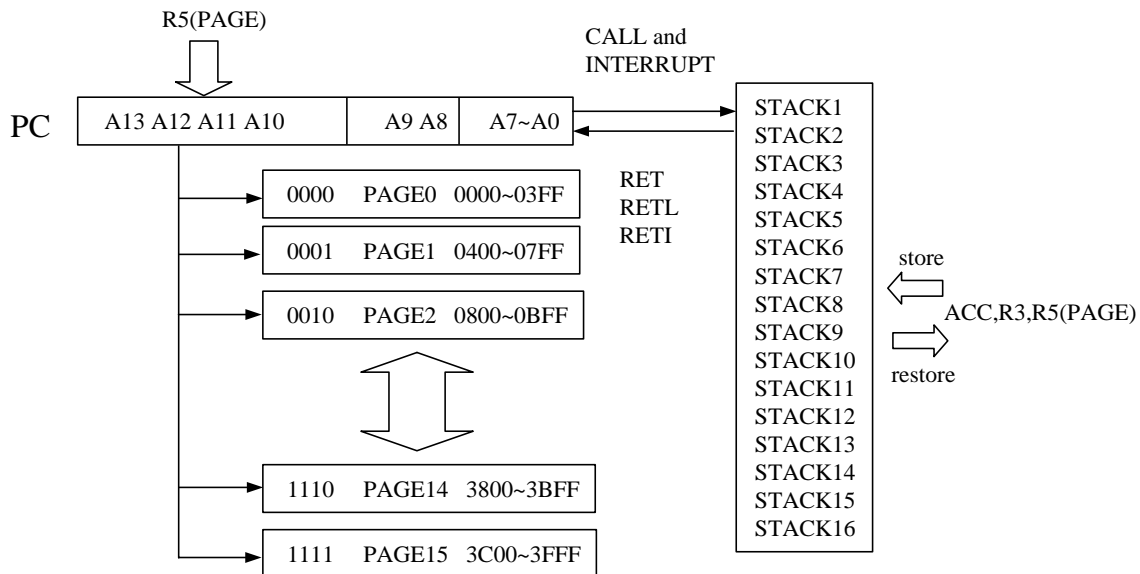


Fig.3 Program counter organization

R3 (Status, Page selection)

(Status flag, Page selection bits)

7	6	5	4	3	2	1	0
RPAGE1	RPAGE0	IOCPAGE	T	P	Z	DC	C
R/W-0	R/W-0	R/W-0	R	R	R/W	R/W	R/W

Bit 0(C) : Carry flag

Bit 1(DC) : Auxiliary carry flag

Bit 2(Z) : Zero flag

Bit 3(P) : Power down bit

Set to 1 during power on or by a "WDTC" command and reset to 0 by a "SLEP" command.

Bit 4(T) : Time-out bit

Set to 1 by the "SLEP" and "WDTC" command, or during power up and reset to 0 by WDT timeout.

EVENT	T	P	REMARK
WDT wake up from sleep mode	0	0	
WDT time out (not sleep mode)	0	1	
/RESET wake up from sleep	1	0	
Power up	1	1	
Low pulse on /RESET	x	X	x : don't care

Bit 5(IOCPAGE) : change IOC5 ~ IOCE to another page

0/1 → IOC page0 / IOC page1

Please refer to VII.1 Operational registers for detail IOC PAGE register configuration.

Bit 6 ~ Bit 7 (RPAGE0 ~ RPAGE1) : change R5 ~ RE to another page

(RPAGE1,RPAGE0)	R page # selected
(0,0)	R page 0
(0,1)	R page 1
(1,0)	R page 2
(1,1)	R page 3

Please refer to VII.1 Operational registers for detail R PAGE register configuration.



R4 (RAM selection for common registers R20 ~ R3F))

(RAM selection register)

7	6	5	4	3	2	1	0
RB1	RB0	RSR5	RSR4	RSR3	RSR2	RSR1	RSR0
R/W-0	R/W-0	R/W	R/W	R/W	R/W	R/W	R/W

Bit 0 ~ Bit 5 (RSR0 ~ RSR5) : Indirect addressing for common registers R20 ~ R3F

RSR bits are used to select up to 32 registers (R20 to R3F) in the indirect addressing mode.

Bit 6 ~ Bit 7 (RB0 ~ RB1) : Bank selection bits for common registers R20 ~ R3F

These selection bits are used to determine which bank is activated among the 4 banks for 32 register (R20 to R3F)..

Please refer to VII.1 Operational registers for details.

R5 (PORT5 I/O data, Program page selection, LCD address, SPI control, PWM control)

PAGE0 (PORT5 I/O data register, Program page register)

7	6	5	4	3	2	1	0
P57	P56	P55	-	PS3	PS2	PS1	PS0
R/W	R/W	R/W		R/W-0	R/W-0	R/W-0	R/W-0

Bit 0 ~ Bit 3 (PS0 ~ PS3) : Program page selection bits

PS3	PS2	PS1	PS0	Program memory page (Address)
0	0	0	0	Page 0
0	0	0	1	Page 1
0	0	1	0	Page 2
0	0	1	1	Page 3
:	:	:	:	:
:	:	:	:	:
1	1	1	0	Page 14
1	1	1	1	Page 15

User can use PAGE instruction to change page to maintain program page by user.

Bit 4 : (undefined) not allowed to use

Bit 5 ~ Bit 7 (P55 ~ P57) : 8-bit PORT5(5~7) I/O data register

User can use IOC register to define input or output each bit.

PAGE1 (LCD address)

7	6	5	4	3	2	1	0
DA9	DA8	-	-	LCDA3	LCDA2	LCDA1	LCDA0
R/W	R/W			R/W-0	R/W-0	R/W-0	R/W-0

Bit 0 ~ Bit 3 (LCDA0 ~ LCDA3) : LCD address for LCD RAM read or write

The address of the LCD RAM correspond to the COMMON and SEGMENT signals as the table.

COM3 ~ COM0	LCD address (LCDA3 ~ LCDA0)
SEG1, SEG0	00H
SEG3, SEG2	01H
SEG5, SEG4	02H
SEG7, SEG6	03H
SEG9, SEG8	04H
SEG11, SEG10	05H
SEG13, SEG12	06H
SEG15, SEG14	07H
SEG17, SEG16	08H
SEG19, SEG18	09H

* This specification is subject to be changed without notice.

SEG21, SEG20	0AH
SEG23, SEG22	0BH
SEG25, SEG24	0CH
SEG27, SEG26	0DH
SEG29, SEG28	0EH
SEG31, SEG30	0FH

Bit 4 ~ Bit 5 : Unused

Bit 6 ~ Bit 7(DA8~DA9) : DA8 and DA9 are DAC MSB when R7 page1 bit 3(DARES) is set ,or unused when DAREF clear to 0. When using 10 bits resolution DAC, DAO output voltage will unchanged after write data to these two bits. DAO pin will change after write new data to DAC low 8 bits data buffer (RA PAGE1).

PAGE2 (SPI control)

7	6	5	4	3	2	1	0
RBF	SPIE	SRO	SE	SCES	SBR2	SBR1	SBR0
R/W-0	R/W-0	R/W-0	R/W-0	R/W-0	R/W-0	R/W-0	R/W-0

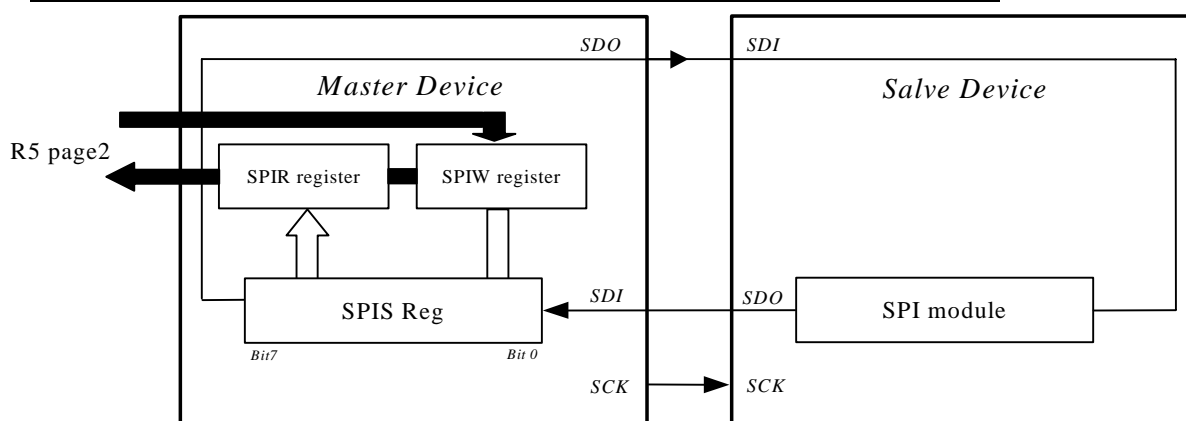


Fig.4 Single SPI Master / Salve Communication

Fig. 4 shows how SPI to communicate with other device by SPI module. If SPI is a master controller, it sends clock through the SCK pin. An 8-bit data is transmitted and received at the same time. If SPI, however, is defined as a slave, its SCK pin could be programmed as an input pin. Data will continue to be shifted on a basis of both the clock rate and the selected edge.

Bit 0 ~ Bit 2 (SBR0 ~ SBR2) : SPI baud rate selection bits

SBR2	SBR1	SBR0	Mode	Baud rate
0	0	0	Master	Fsco
0	0	1	Master	Fsco/2
0	1	0	Master	Fsco/4
0	1	1	Master	Fsco/8
1	0	0	Master	Fsco/16
1	0	1	Master	Fsco/32
1	1	0	Slave	
1	1	1	Master	16.384k

<Note> Fsco = CPU instruction clock

For example :

If PLL is enabled and main clock is selected to 3.5826MHz, the instruction clock is 3.5826MHz/2

→ Fsco=3.5862MHz/2



If PLL is enabled and main clock is selected to 3.5826MHz, the instruction clock is 0.895MHz/2

→ $F_{sco}=0.895\text{MHz}/2$

If PLL is disabled, the instruction clock is 32.768kHz/2 → $F_{sco}=32.768\text{kHz}/2$.

Bit 3 (SCES) : SPI clock edge selection bit

1 → Data shifts out on falling edge, and shifts in on rising edge. Data is hold during the high level.

0 → Data shifts out on rising edge, and shifts in on falling edge. Data is hold during the low level.

Bit 4 (SE) : SPI shift enable bit

1 → Start to shift, and keep on 1 while the current byte is still being transmitted.

0 → Reset as soon as the shifting is complete, and the next byte is ready to shift.

<Note> This bit has to be reset in software.

Bit 5 (SRO) : SPI read overflow bit

1 → A new data is received while the previous data is still being hold in the SPIB register. In this situation, the data in SPIS register will be destroyed. To avoid setting this bit, users had better to read SPIB register even if the transmission is implemented only.

0 → No overflow, <Note> This can only occur in slave mode.

Bit 6 (SPIE) : SPI enable bit

1 → Enable SPI mode

0 → Disable SPI mode

Bit 7 (RBF) : SPI read buffer full flag

1 → Receive is finished, SPIB is full.

0 → Receive is not finish yet, SPIB is empty.

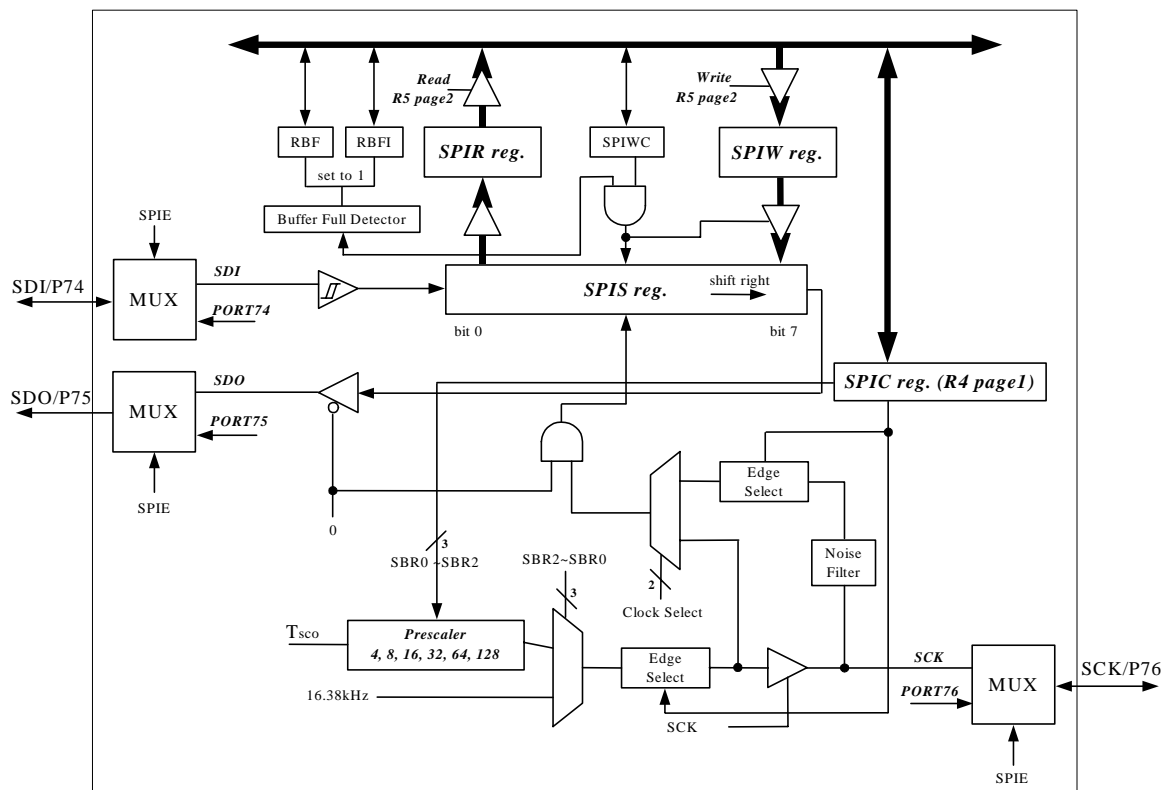


Fig.5 SPI structure

SPIC reg. : SPI control register

SDO: Serial data out

SDI: Serial data in

SCK: Serial clock

RBF : Set by buffer full detector, and reset in software.

RBFI : Interrupt flag. Set by buffer full detector, and reset in software.

Buffer Full Detector : Sets to 1, while an 8-bit shifting is complete.

SE : Loads the data in SPIW register, and begin to shift

SPIE : SPI control register

SPIS reg. : Shifting byte out and in.

The MSB will be shifted first. Both the SPIS register and the SPIW register are loaded at the same time. Once data being written to, SPIS starts transmission / reception. The received data will be moved to the SPIR register, as the shifting of the 8-bit data is complete. The RBF (Read Buffer Full) flag and the RBFI(Read Buffer Full Interrupt) flag are set.

SPIR reg. : Read buffer.

The buffer will be updated as the 8-bit shifting is complete. The data must be read before the next reception is finished. The RBF flag is cleared as the SPIR register read.

SPIW reg. : Write buffer.

The buffer will deny any write until the 8-bit shifting is complete. The SE bit will be kept in 1 if the communication is still under going. This flag must be cleared as the shifting is finished. Users can determine if the next write attempt is available.

SBR2 ~ SBR0: Programming the clock frequency/rates and sources.

Clock select : Selecting either the internal instruction clock or the external 16.338KHz clock as the shifting clock.

Edge Select : Selecting the appropriate clock edges by programming the SCES bit

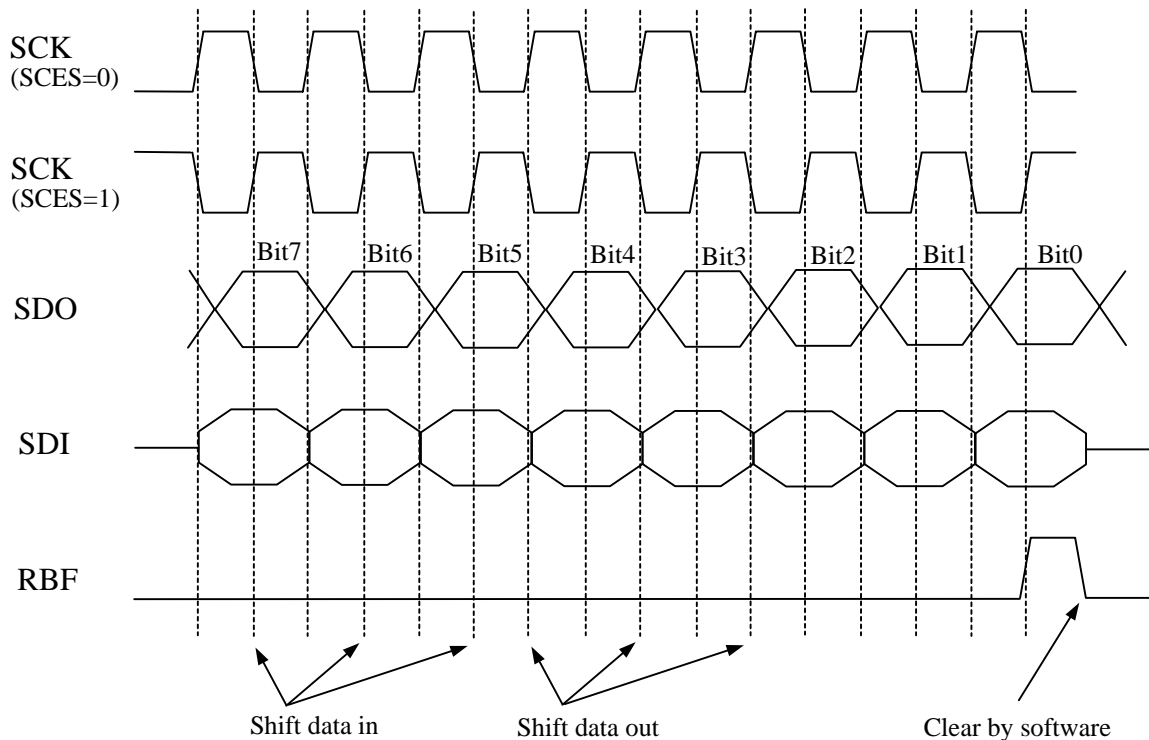


Fig.6 SPI timing

PAGE3 (PWMCON)

7	6	5	4	3	2	1	0
PWM2E	PWM1E	T2EN	T1EN	T2P1	T2P0	T1P1	T1P0
R/W-0	R/W-0	R/W-0	R/W-0	R/W-0	R/W-0	R/W-0	R/W-0

Bit 0 ~ Bit 1 (T1P0 ~ T1P1): TMR1 clock prescale option bits.

T1P1	T1P0	Prescale
0	0	1:2(Default)
0	1	1:8
1	0	1:32
1	1	1:64

Bit 2 ~ Bit 3 (T2P0 ~ T2P1): TMR2 clock prescale option bits.



T2P1	T2P0	Prescale
0	0	1:2(Default)
0	1	1:8
1	0	1:32
1	1	1:64

Bit 4 (T1EN): TMR1 enable bit

0 → TMR1 is off (default value).

1 → TMR1 is on.

Bit 5 (T2EN): TMR2 enable bit

0 → TMR2 is off (default value).

1 → TMR2 is on.

Bit 6 (PWM1E): PWM1 enable bit

0 → PWM1 is off (default value), and its related pin carries out the PC1 function;

1 → PWM1 is on, and its related pin will be set to output automatically.

Bit 7 (PWM2E): PWM2 enable bit

0 → PWM2 is off (default value), and its related pin carries out the PC2 function.

1 → PWM2 is on, and its related pin will be set to output automatically.

R6 (PORT6 I/O data, LCD data, SPI data buffer, PWM1 duty)

PAGE0 (PORT6 I/O data register)

7	6	5	4	3	2	1	0
P67	P66	P65	P64	P63	P62	P61	P60
R/W	R/W	R/W	R/W	R/W	R/W	R/W	R/W

Bit 0 ~ Bit 8 (P60 ~ P67) : 8-bit PORT6(0~7) I/O data register

User can use IOC register to define input or output each bit.

PAGE1 (LCD data)

7	6	5	4	3	2	1	0
LCDD7	LCDD6	LCDD5	LCDD4	LCDD3	LCDD2	LCDD1	LCDD0
R/W	R/W	R/W	R/W	R/W	R/W	R/W	R/W

Bit 0 ~ Bit 7 (LCDD0 ~ LCDD7) : LCD data buffer for LCD RAM read or write

LCD data vs. COM-SEG		LCD address (LCDA3 ~ LCDA0)
LCDD7 ~ LCDD4	LCDD3 ~ LCDD0	
COM3 ~ COM0	COM3 ~ COM0	
SEG1	SEG0	00H
SEG3	SEG2	01H
SEG5	SEG4	02H
SEG7	SEG6	03H
SEG9	SEG8	04H
SEG11	SEG10	05H
SEG13	SEG12	06H
SEG15	SEG14	07H
SEG17	SEG16	08H
SEG19	SEG18	09H
SEG21	SEG20	0AH
SEG23	SEG22	0BH
SEG25	SEG24	0CH
SEG27	SEG26	0DH
SEG29	SEG28	0EH
SEG31	SEG30	0FH



PAGE2 (SPI data buffer)

7	6	5	4	3	2	1	0
SPIB7	SPIB6	SPIB5	SPIB4	SPIB3	SPIB2	SPIB1	SPIB0
R/W	R/W	R/W	R/W	R/W	R/W	R/W	R/W

Bit 0 ~ Bit 7 (SPIB0 ~ SPIB7) : SPI data buffer

If you write data to this register, the data will write to SPIW register. If you read this data, it will read the data from SPIR register. Please refer to figure7

PAGE3 (DT1L: the Least Significant Byte (Bit 7 ~ Bit 0) of Duty Cycle of PWM1)

7	6	5	4	3	2	1	0
PWM1[7]	PWM1[6]	PWM1[5]	PWM1[4]	PWM1[3]	PWM1[2]	PWM1[1]	PWM1[0]
R/W-0	R/W-0	R/W-0	R/W-0	R/W-0	R/W-0	R/W-0	R/W-0

A specified value keeps the output of PWM1 to stay at high until the value matches with TMR1.

R7 (PORT7 I/O data, Data RAM bank, PWM1 duty, ADC output and resolution)

PAGE0 (PORT7 I/O data register)

7	6	5	4	3	2	1	0
P77	P76	P75	P74	P73	P72	P71	P70
R/W	R/W	R/W	R/W	R/W	R/W	R/W	R/W

Bit 0 ~ Bit 7 (P70 ~ P77) : 8-bit PORT7(0~7) I/O data register

User can use IOC register to define input or output each bit.

PAGE1 (ADC output data(8~9), AD resolution control, Data RAM bank selection bits)

7	6	5	4	3	2	1	0
-	-	AD9	AD8	DARES	ADRES	RAM_B1	RAM_B0
		R	R	R/W-0	R/W-0	R/W-0	R/W-0

Bit 0~Bit 1 (RAM_B0~RAM_B1) : Data RAM bank selection bits

Each bank has address 0 ~ address 255 which is total 256 (0.25k) bytes RAM size.

Data RAM bank selection : (Total RAM = 1K)

RAM_B1	RAM_B0	PAGE
0	0	PAGE0
0	1	PAGE1
1	0	PAGE2
1	1	PAGE3

Bit 2(ADRES) : Resolution selection for ADC

0 → ADC is 8-bit resolution

When 8-bit resolution is selected, the most significant(MSB) 8-bit data output of the internal 10-bit ADC will be mapping to RB PAGE1 so R7 PAGE1 bit 4 ~5 will be of no use.

1 → ADC is 10-bit resolution

When 10-bit resolution is selected, 10-bit data output of the internal 10-bit ADC will be exactly mapping to RB PAGE1 and R7 PAGE1 bit 4 ~5.

For program compatible concern : if ADC is used, "please set this bit to 1" because 8-bit ADC resolution mode will not support in the mask version EM78569.

Bit 3 : Resolution selection for DAC

0 → DAC is 8-bit resolution

When 8-bit resolution is selected, the most significant(MSB) 8-bit data output of the internal 10-bit DAC will be mapping to RA PAGE1 so R5 PAGE1 bit 6 ~7 will be of no use.

1 → DAC is 10-bit resolution

When 10-bit resolution is selected, 10-bit data output of the internal 10-bit DAC will be exactly mapping to RA PAGE1 and R5 PAGE1 bit 6 ~7.

* This specification is subject to be changed without notice.



Bit 4 ~ Bit 5(AD8 ~ AD9) : The most significant 2 bit of 10-bit ADC conversion output data
Combine there two bits and RB PAGE1 as complete 10-bit ADC conversion output data.

Bit6 ~Bit7 : (undefined) not allowed to use

PAGE2 : (undefined) not allowed to use

PAGE3 (DT1H: the Most Significant Byte (Bit 1 ~ Bit 0) of Duty Cycle of PWM1)

7	6	5	4	3	2	1	0
-	-	-	-	-	-	PWM1[9]	PWM1[8]
						R/W-0	R/W-0

Bit 0 ~ Bit 1 (PWM1[8] ~ PWM1[9]): The Most Significant Byte of PWM1 Duty Cycle

A specified value keeps the PWM1 output to stay at high until the value matches with TMR1.

Bit 2 ~ Bit 7 : (undefined) not allowed to use.

R8 (PORT8 I/O data, Data RAM address, PWM1 period)

PAGE0 (PORT8 I/O data register)

7	6	5	4	3	2	1	0
P87	P86	P85	P84	P83	P82	P81	P80
R/W	R/W	R/W	R/W	R/W	R/W	R/W	R/W

Bit 0 ~ Bit 7 (P80 ~ P87) : 8-bit PORT8(0~7) I/O data register

User can use IOC register to define input or output each bit.

PAGE1 (“VERSEL = 0” → Data RAM address register)

7	6	5	4	3	2	1	0
RAM_A7	RAM_A6	RAM_A5	RAM_A4	RAM_A3	RAM_A2	RAM_A1	RAM_A0
R/W-0	R/W-0	R/W-0	R/W-0	R/W-0	R/W-0	R/W-0	R/W-0

Bit 0 ~ Bit 7 (RAM_A0 ~ RAM_A7) : data RAM address

The data RAM bank’s selection is from R7 PAGE1 bit0 ~ bit 1 (RAM_B0 ~ RAM_B1).

PAGE1 (“VERSEL = 1” → Un-defined)

When “VERSEL = 1”, Data RAM address buffer is mapping to RB page2.

PAGE2 : (undefined) not allowed to use

PAGE3 (PRD1: Period of PWM1)

7	6	5	4	3	2	1	0
PRD1[7]	PRD1[6]	PRD1[5]	PRD1[4]	PRD1[3]	PRD1[2]	PRD1[1]	PRD1[0]
R/W-0	R/W-0	R/W-0	R/W-0	R/W-0	R/W-0	R/W-0	R/W-0

The content of this register is a period (time base) of PWM1. The frequency of PWM1 is the reverse of the period.

R9 (PORT9 I/O data, Data RAM data buffer, PWM2 duty)

PAGE0 (PORT9 I/O data register)

7	6	5	4	3	2	1	0
P97	P96	P95	P94	P93	P92	P91	P90
R/W	R/W	R/W	R/W	R/W	R/W	R/W	R/W

Bit 0 ~ Bit 7 (P90 ~ P97) : 8-bit PORT9(0~7) I/O data register

User can use IOC register to define input or output each bit.

PAGE1 (Data RAM data register)

7	6	5	4	3	2	1	0
RAM_D7	RAM_D6	RAM_D5	RAM_D4	RAM_D3	RAM_D2	RAM_D1	RAM_D0
R/W	R/W	R/W	R/W	R/W	R/W	R/W	R/W



Bit 0 ~ Bit 7 (RAM_D0 ~ RAM_D7) : Data RAM's data

The address for data RAM is accessed from R8 PAGE1. The data RAM bank is selected by R7 PAGE1 Bit 0 ~ Bit 1 (RAM_B0 ~ RAM_B1).

PAGE2 (Unused)

PAGE3 (DT2L: the Least Significant Byte (Bit 7 ~ Bit 0) of Duty Cycle of PWM2)

7	6	5	4	3	2	1	0
PWM2[7]	PWM2[6]	PWM2[5]	PWM2[4]	PWM2[3]	PWM2[2]	PWM2[1]	PWM2[0]
R/W-0	R/W-0	R/W-0	R/W-0	R/W-0	R/W-0	R/W-0	R/W-0

A specified value keeps the output of PWM2 to stay at high until the value matches with TMR2.

RA (PLL, Main clock selection, Comparator flag, Watchdog timer, DAC input data buffer, PWM2 duty, LCD option)

PAGE0 (PLL enable bit, Main clock selection bits, Comparator control bits, Watchdog timer enable bit)

7	6	5	4	3	2	1	0
0	PLLEN	CLK2	CLK1	CLK0	-	-	WDTEN
R/W-0	R/W-0	R/W-0	R/W-1	R/W-1			R/W-0

Bit 0(WDTEN) : Watch dog control bit

0/1 → disable/enable

User can use WDTC instruction to clear watch dog counter. The counter 's clock source is 32768/2 Hz. If the prescaler assigns to TCC. Watch dog will time out by $(1/32768) * 2 * 256 = 15.616\text{mS}$. If the prescaler assigns to WDT, the time of time out will be more times depending on the ratio of prescaler.

Bit 1 ~ Bit 2 : (undefined) not allowed to use

Bit 3 ~ Bit 5 (CLK0 ~ CLK2) : MAIN clock selection bits

User can choose different frequency of main clock by CLK1 and CLK2. All the clock selection is list below.

PLLEN	CLK2	CLK1	CLK0	Sub clock	MAIN clock	CPU clock
1	0	0	0	32.768kHz	447.829kHz	447.829kHz (Normal mode)
1	0	0	1	32.768kHz	895.658kHz	895.658kHz (Normal mode)
1	0	1	0	32.768kHz	1.791MHz	1.791MHz (Normal mode)
1	0	1	1	32.768kHz	3.582MHz	3.582MHz (Normal mode)
1	1	0	0	32.768kHz	7.165MHz	7.165MHz (Normal mode)
1	1	0	1	32.768kHz	10.747MHz	10.747MHz (Normal mode)
1	1	1	0	32.768kHz	14.331MHz	14.331MHz (Normal mode)
1	1	1	1	32.768kHz	17.91MHz	17.91MHz (Normal mode)
0	don't care	don't care	don't care	32.768kHz	don't care	32.768kHz (Green mode)

Bit 6(PLLEN) : PLL's power control bit which is CPU mode control register

0/1 → disable PLL/enable PLL

If enable PLL, CPU will operate at normal mode (high frequency). Otherwise, it will run at green mode (low frequency, 32768 Hz).

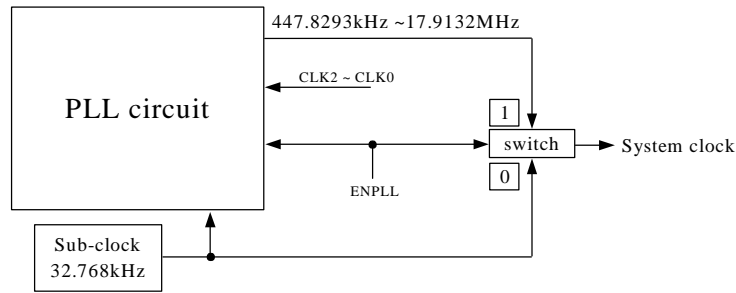


Fig.7 The relation between 32.768kHz and PLL

Bit 7: Unused register. Always keep this bit to 0 or some un-expect error will happen!

The status after wake-up and the wake-up sources list as the table below.

Wakeup signal	SLEEP mode
	RA(7,6)=(0,0) + SLEP
TCC time out IOCF bit0=1	No function
COUNTER1 time out IOCF bit1=1	No function
COUNTER2 time out IOCF bit2=2	No function
WDT time out	Reset and jump to address 0
PORT8(0~3) RE PAGE0 bit3 or bit4 or bit5 or bit6 = 1	Reset and Jump to address 0
PORT7(0~3) IOCF bit3 or bit4 or bit5 or bit7=1	Reset and Jump to address 0

<Note> PORT70 's wakeup function is controlled by IOCF bit 3. It's falling edge or rising edge trigger (controlled by CONT register bit7).

PORT7(1~3) 's wakeup functions are controlled by IOCF bit (4,5,7). They are falling edge trigger.

PORT80~PORT83' s wakeup function are controlled by RE PAGE0 bit 0 ~ bit 3. They are falling edge trigger.

PAGE1 (DAC output data register)

7	6	5	4	3	2	1	0
DA7	DA6	DA5	DA4	DA3	DA2	DA1	DA0
R/W-1	R/W-1	R/W-1	R/W-1	R/W-1	R/W-1	R/W-1	R/W-1

Bit 0 ~ Bit 7 (DA0 ~ DA7) : These 8 bit is full DAC data buffer when 8-bit resolution is selected(R7 page1 bit 7 DAREF = 0), or the least significant 8-bit data when 10 bit resolution(DAREF = 1) selected..



PAGE2 (Multiplier control register)

7	6	5	4	3	2	1	0
INS	-	INDR	PLUS	MROPT3	MROPT2	MROPT1	MROPT0
W-0		R/W-0	R/W-0	R/W-0	R/W-0	R/W-0	R/W-0

Bit 0 ~ Bit 3 (MROPT0 ~ MROPT3) : Multiplier operation mode control

MROPT3 ~ MROPT0	Mode	Description
0 0 0 0	MR = sign(X)*sign(Y)	Sign-sign multiplication
0 0 0 1	MR = sign(X)*unsign(Y)	Sign-unsign multiplication
0 0 1 0	MR = unsign(X)*sign(Y)	Unsign-sign multiplication
0 0 1 1	MR = unsign(X)*unsign(Y)	Unsign-unsign multiplication
1 0 0 0	MR = MR + sign(X)*sign(Y)	Sign-sign accumulated multiplication addition
1 0 0 1	MR = MR + sign(X)*unsign(Y)	Sign-unsign accumulated multiplication addition
1 0 1 0	MR = MR + unsign(X)*sign(Y)	Unsign-unsign accumulated multiplication addition
1 0 1 1	MR = MR + unsign(X)*unsign(Y)	Unsign-unsign accumulated multiplication addition
1 1 0 0	MR = MR - sign(X)*sign(Y)	Sign-sign accumulated multiplication subtraction
1 1 0 1	MR = MR - sign(X)*unsign(Y)	Sign-unsign accumulated multiplication subtraction
1 1 1 0	MR = MR - unsign(X)*sign(Y)	Unsign-unsign accumulated multiplication subtraction
1 1 1 1	MR = MR - unsign(X)*unsign(Y)	Unsign-unsign accumulated multiplication subtraction
0 1 0 0 ~ 0 1 1 1	unused	-

Bit 4 (PLUS) : Base on "VERSEL", this bit's defined is different. If VERSEL = 0, data RAM and multiplicand Y's address buffer is independent. When VERSEL = 1, both data RAM and multiplicand Y's address are point to RB page2.

VERSEL	PLUS	Data RAM address buffer	Multiplicand Y's address buffer	Effect
0	0	R8 page1	RB page2	Data RAM's address will not auto-increase after access, Y's address will not auto-increase after run instruction "INT A"
0	1	R8 page1	RB page2	Data RAM's address will not auto-increase after access, Y's address will auto-increase after run instruction "INT A"
1	0	RB page2	RB page2	Data RAM's address will auto-increase after access, Y's address will not auto-increase after run instruction "INT A"
1	1	RB page2	RB page2	Data RAM's address will auto-increase after access, Y's address will auto-increase after run instruction "INT A"

Bit 5 (INDR) : Indirect address pointer enable control

0/1 → disable/enable

When (INDR,PLUS) = (1,1), the address pointer and address auto-increment functions are enabled. Under the functions are enabled, RB PAGE1 acts as address pointer and it will automatically increase one after "INT A" instruction execution. That is to say, RB PAGE2 = RB PAGE2 + 1. The multiplicand Y data is stored in R9 PAGE1 data RAM buffer.

Bit 5 (INDR)	Bit 4 (PLUS)	Function
1	0	Enable indirect address pointer RB PAGE2 acts as Multiplicand Y data address pointer for multiplier Multiplicand Y data is stored in R9 PAGE1 for multiplier Disable Multiplicand Y data address auto-increment for multiplier
1	1	Enable indirect address pointer RB PAGE2 acts as Multiplicand Y data address pointer for multiplier Multiplicand Y data is stored in R9 PAGE1 for multiplier Enable Multiplicand Y data address auto-increment for multiplier

* This specification is subject to be changed without notice.

0	x	Disable indirect address pointer Disable Multipliant Y data address auto-increment for multiplier RB PAGE2 acts as Multipliant Y data buffer for multiplier Multipliant Y data is stored in RB PAGE1 for multiplier
---	---	--

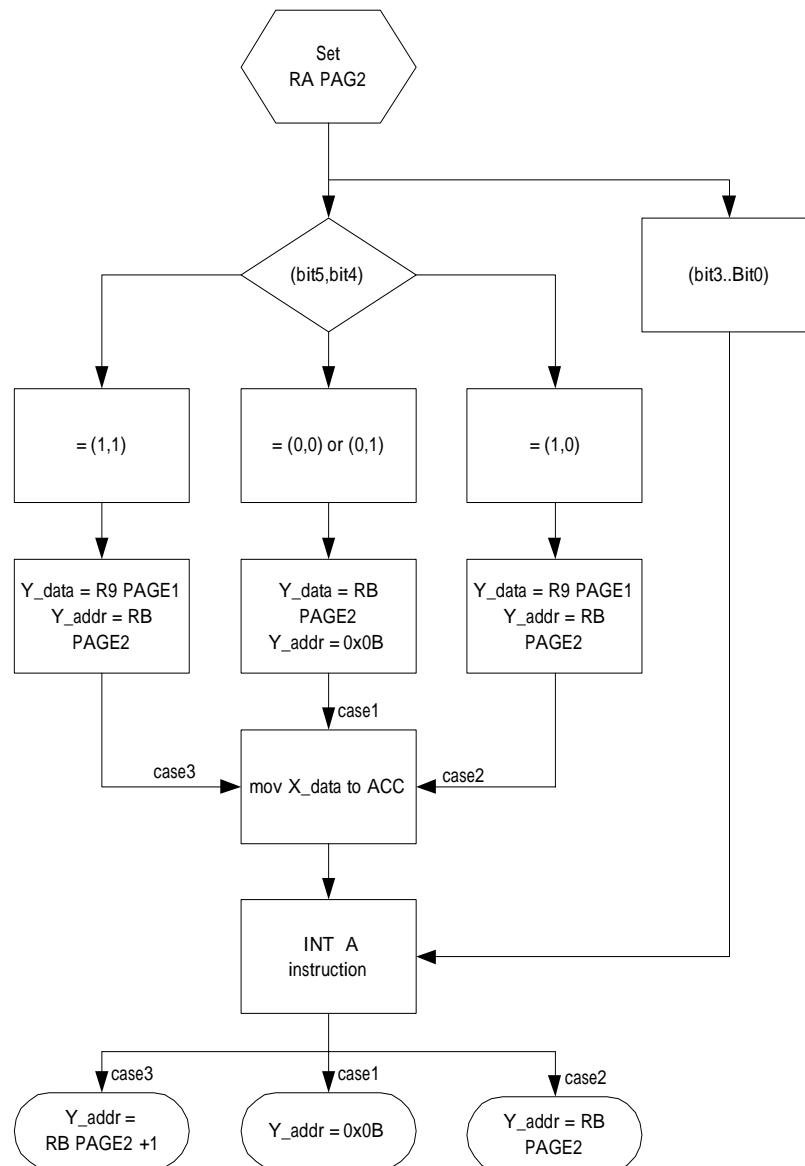


Fig 8: Multiplier control flow

Bit 6 : Unused. This bit is not allow to use.

Bit 7(INS) : Instruction "ADD" and "DEC" calculation select . This bit is a write only bit .

This bit's define is based on "VERSEL". If "VERSEL" = 0, this bit is undefined. If "VERSEL" = 1, this bit will effect the result after run "ADD" and "SUB" instruction.



VERSEL (code option)	INS (RA page2 bit7)	Instruction	Execute
0	X	ADD A, R	$A + R \rightarrow A$
		ADD R, A	$A + R \rightarrow R$
		ADD A, K	$A + K \rightarrow A$
		SUB A, R	$R - A \rightarrow A$
		SUB R, A	$R - A \rightarrow R$
		SUB A, K	$K - A \rightarrow A$
1	0	ADD A, R	$A + R \rightarrow A$
		ADD R, A	$A + R \rightarrow R$
		ADD A, K	$A + K \rightarrow A$
		SUB A, R	$R - A \rightarrow A$
		SUB R, A	$R - A \rightarrow R$
		SUB A, K	$K - A \rightarrow A$
1	1	ADD A, R	$A + R + C \rightarrow A$
		ADD R, A	$A + R + C \rightarrow R$
		ADD A, K	$A + K + C \rightarrow A$
		SUB A, R	$R - A - /C \rightarrow A$
		SUB R, A	$R - A - /C \rightarrow R$
		SUB A, K	$K - A - /C \rightarrow A$

PAGE3 (DT2H: the Most Significant Byte (Bit 1 ~ Bit 0) of Duty Cycle of PWM2)

7	6	5	4	3	2	1	0
-	-	-	-	-	-	PWM2[9]	PWM2[8]
						R/W-0	R/W-0

Bit 0 ~ Bit 1 (PWM2[8] ~ PWM2[9]): The Most Significant Byte of PWM1 Duty Cycle

A specified value keeps the PWM1 output to stay at high until the value matches with TMR1.

Bit 2 ~ Bit 7 : (undefined) not allowed to use

RB (PORTB I/O data, ADC output data buffer, PWM2 period)

PAGE0 (PORT9 I/O data register)

7	6	5	4	3	2	1	0
PB7	PB6	PB5	PB4	PB3	PB2	PB1	PB0
R/W	R/W	R/W	R/W	R/W	R/W	R/W	R/W

Bit 0 ~ Bit 7 (PB0 ~ PB7) : 8-bit PORTB(0~7) I/O data register

User can use IOC register to define input or output each bit.

PAGE1 (ADC output data register)

7	6	5	4	3	2	1	0
AD7	AD6	AD5	AD4	AD3	AD2	AD1	AD0
R	R	R	R	R	R	R	R

Bit 0 ~ Bit 7 (AD0 ~ AD7) : These 8 bit is full ADC data buffer when 8-bit resolution is selected(R7 page1 bit 2 ADREF = 0), or the least significant 8-bit data when 10 bit resolution(ADREF = 1) selected..

PAGE2(Multiplicand Y Data buffer and Data RAM's data buffer)

Base on "VERSEL", this page's defined is different.



For VERSEL = 0 :

7	6	5	4	3	2	1	0
MULY7	MULY6	MULY5	MULY4	MULY3	MULY2	MULY1	MULY0
R/W-0	R/W-0	R/W-0	R/W-0	R/W-0	R/W-0	R/W-0	R/W-0

Bit 0 ~ Bit 7 (MULY0 ~ MULY7) : Multiplicand Y data buffer of multiplier

The multiplier can make a multiplication with X*Y. The multiplier data buffer X is ACC and the multiplicand data buffer Y is RB PAGE2. The maximum 24 bit multiplication result MR will be stored in RC PAGE2 ~ RE PAGE2. That is to say, MR = X*Y.

For VERSEL = 1 :

At this status, RB page2 defined to multiplicand Y data buffer and Data RAM address buffer.

Example 1 : Read continue data from continuous data RAM address:

```

MOV  A , @0b00111111
AND  0x03 , A
BS   0x03 , 7 ; Set R register to page 2
CLR  0x0B ; Set RAM address = 0
BS   0x0A , 4 ; Enable address auto-increase function
BC   0x03 , 7
BS   0x03 , 6 ; Set R register to page 1
MOV  A , @0b11111100
AND  0x07 , A ; Set RAM bank 0
MOV  A , 0x09 ; read Data RAM address 0x00's data
MOV  A , 0x09 ; read Data RAM address 0x01's data
MOV  A , 0x09 ; read Data RAM address 0x02's data
:
:

```

Example 2 : Continuous multiplication and addition operation.

```

MOV  A , @0b00111111
AND  0x03 , A
BS   0x03 , 7 ; Set R register to page 2
CLR  0x0C
CLR  0x0D
CLR  0x0E ; Clear MR = 0
BS   0x0A , 5 ; enable multiplier's indirect address mode
BS   0x0A , 4 ; Enable address auto-increase function
CLR  0x0B ; Set address = 0
MOV  A , @0x55
INT  A ; multiplication instruction, operate MR ← 0x55(A) x (address 0' data)
INT  A ; MR ← 0x55(A) x (address 1' data) + MR
INT  A ; MR ← 0x55(A) x (address 2' data) + MR
:
:

```

PAGE3 (PRD2: Period of PWM2)

7	6	5	4	3	2	1	0
PRD2[7]	PRD2[6]	PRD2[5]	PRD2[4]	PRD2[3]	PRD2[2]	PRD2[1]	PRD2[0]
R/W-0	R/W-0	R/W-0	R/W-0	R/W-0	R/W-0	R/W-0	R/W-0

The content of this register is a period (time base) of PWM2. The frequency of PWM2 is the reverse of the period.

RC (PORTC I/O data, Counter1 data, PWM1 duty latch)

PAGE0 (PORT9 I/O data register)

7	6	5	4	3	2	1	0
PC7	PC6	PC5	PC4	PC3	PC2	PC1	PC0
R/W	R/W	R/W	R/W	R/W	R/W	R/W	R/W

Bit 0 ~ Bit 7 (PC0 ~ PC7) : 8-bit PORTC(0~7) I/O data register

User can use IOC register to define input or output each bit.



PAGE1 (Counter1 data register)

Bit7	Bit6	Bit5	Bit4	Bit3	Bit2	Bit1	Bit0
CN17	CN16	CN15	CN14	CN13	CN12	CN11	CN10
R/W-0	R/W-0	R/W-0	R/W-0	R/W-0	R/W-0	R/W-0	R/W-0

Bit 0 ~ Bit 7 (CN10 ~ CN17) : Counter1's buffer that user can read and write.

Counter1 is a 8-bit up-counter with 8-bit prescaler that user can use RC PAGE1 to preset and read the counter.(write → preset) After a interruption , it will reload the preset value.

Example for writing :

MOV 0x0C, A ; write the data at accumulator to counter1 (preset)

Example for reading :

MOV A, 0x0C ; read the data at counter1 to accumulator

PAGE2(LSB 8-bit Multiplication result)

7	6	5	4	3	2	1	0
MR7	MR6	MR5	MR4	MR3	MR2	MR1	MR0
R/W	R/W	R/W	R/W	R/W	R/W	R/W	R/W

Bit 0 ~ Bit 7 (MR0 ~ MR7) : Multiplication result data

The multiplier can make a multiplication with X*Y. The multiplier data buffer X is ACC(accumulator) and the multiplicand data buffer Y is RB PAGE2. The LSB 8-bit of maximum 24 bit multiplication result MR will be stored in RC PAGE2.

RC PAGE2 = MR(0~7) = LSB 8-bit (X*Y)

PAGE3 : (undefined) not allowed to use

RD (LCD control, Counter2 data, PWM1,2 duty latch)

PAGE0 (LCD driver control bits)

7	6	5	4	3	2	1	0
-	VERSEL	PHO	1	-	LCD_C1	LCD_C0	LCD_M
	R/W-0	R/W-0	R/W-0		R/W-0	R/W-0	R/W-0

Bit 0 (LCD_M) : LCD operation method including duty and frame frequency

Bit 1 ~ Bit 2 (LCD_C0 ~ LCD_C1) : LCD display control

LCD_C1	LCD_C0	LCD_M	LCD Display Control	Duty	Bias
0	0	0	change duty	1/4	1/3
		1	Disable(turn off LCD)	1/2	1/3
0	1	:	Blanking	:	:
1	1	:	LCD display enable	:	:

Ps. To change the display duty must set the "LCD_C1 ,LCD_C0" to "00".

The controller can drive LCD directly. The LCD block is made up of common driver, segment driver, display LCD RAM, common output pins, segment output pins and LCD operating power supply. The basic structure contains a timing control. This timing control uses the basic frequency 32.768KHz to generate the proper timing for different duty and display access.

RD PAGE0 Bit 0 ~ Bit 2 are LCD control bits for LCD driver. These LCD control bits determine the duty, the number of common and the frame frequency. The LCD display (disable, enable, blanking) is controlled by Bit 1 and Bit 2. The driving duty is decided by Bit 0. The display data is stored in LCD RAM which address and data access controlled by registers R5 PAGE1 and R6 PAGE1.

User can regulate the contrast of LCD display by IOC5 PAGE0 Bit 0 ~ Bit 3 (BIAS0 ~ BIAS3). Up to 16 levels contrast is convenient for better display.

Bit 3, Bit 7 : (undefined) not allowed to use



Bit5 and Bit6 are only exist in EM78569's developing tool(ICE569). In OTP and mask chip, these two bits will mapping to code option. Please set these two bits to fixed value at initial and do not change these two bit among your program design. Besides, please set bit4 to 1 or AD function will difference between ICE 569 and EM78P569

Bit 4: Always set this bit to 1.

Bit 5(PHO) : PC0 status select.

0 → PC0 defined to normal IO.

1 → PC0 defined to phase1 output.(VERSEL must = 1)

Bit 6(VERSEL) : Version select.

	VERSEL = 0	VERSEL = 1
Data RAM address	R8 page1	RB page2
Data ram address auto-increase	Not support	Enable
“ADD” & “SUB” include “carry“ bit	Not support	Determined by RA page2 bit7
Phase CLK output	Not support	Phase1 CLK out from PC0 (determined by PHO)

PAGE1 (Counter2 data register)

Bit7	Bit6	Bit5	Bit4	Bit3	Bit2	Bit1	Bit0
CN27	CN26	CN25	CN24	CN23	CN22	CN21	CN20
R/W-0	R/W-0	R/W-0	R/W-0	R/W-0	R/W-0	R/W-0	R/W-0

Bit 0 ~ Bit 7 (CN20 ~ CN27) : Counter2's buffer that user can read and write.

Counter2 is a 8-bit up-counter with 8-bit prescaler that user can use RD PAGE1 to preset and read the counter.(write → preset) After a interruption, it will reload the preset value.

Example for writing :

MOV 0x0D, A ; write the data at accumulator to counter2 (preset)

Example for reading :

MOV A, 0x0D ; read the data at counter2 to accumulator

PAGE2(MID 8-bit Multiplication result)

7	6	5	4	3	2	1	0
MR15	MR14	MR13	MR12	MR11	MR10	MR9	MR8
R/W	R/W	R/W	R/W	R/W	R/W	R/W	R/W

Bit 0 ~ Bit 7 (MR8 ~ MR15) : Multiplication result data

The multiplier can make a multiplication with X*Y. The multiplicator data buffer X is ACC(accumulator) and the multiplicand data buffer Y is RB PAGE2. The MID 8-bit of maximum 24 bit multiplication result MR will be stored in RD PAGE2.

RD PAGE2 = MR(8~15) = MID 8-bit (X*Y)

PAGE3 : (undefined) not allowed to use

RE (Interrupt flag, Wake-up control, PWM2 duty latch)

PAGE0 (Interrupt flag, Wake-up control bits)

7	6	5	4	3	2	1	0
PWM2	RBF	ADI	PWM1	/WUP83	/WUP82	/WUP81	/WUP80
R/W-0	R/W-0	R/W-0	R/W-0	R/W-0	R/W-0	R/W-0	R/W-0



Bit 0 (/WUP80) : PORT80 wake-up control, 0/1 → disable/enable P80 pin wake-up function

Bit 1 (/WUP81) : PORT81 wake-up control, 0/1 → disable/enable P81 pin wake-up function

Bit 2 (/WUP82) : PORT82 wake-up control, 0/1 → disable/enable P82 pin wake-up function

Bit 3 (/WUP83) : PORT83 wake-up control, 0/1 → disable/enable P83 pin wake-up function

Bit 4 (PWM1) : PWM1 (Pulse Width Modulation channel 1) interrupt flag

Set when a selected period is reached, reset by software.

Bit 5 (ADI) : ADC interrupt flag after a sampling

Bit 6 (RBF) : SPI data transfer complete interrupt

If SPI's RBF signal has a rising edge signal (RBF set to "1" when transfer data completely), CPU will set this bit.

Bit 7 (PWM2) : PWM2 (Pulse Width Modulation channel 2) interrupt flag

Set when a selected period is reached, reset by software.

PAGE1 : (undefined) not allowed to use

PAGE2 (MSB 8-bit Multiplication result)

7	6	5	4	3	2	1	0
MR23	MR22	MR21	MR20	MR19	MR18	MR17	MR16
RW-0	RW-0	RW-0	RW-0	RW-0	RW-0	RW-0	RW-0

Bit 0 ~ Bit 7 (MR23 ~ MR16) : Multiplication result data

The multiplier can make a multiplication with X*Y. The multiplier data buffer X is ACC(accumulator) and the multiplicand data buffer Y is RB PAGE2. The MSB 8-bit of maximum 24 bit multiplication result MR will be stored in RE PAGE2.

$$RE\ PAGE2 = MR(16\sim 23) = MSB\ 8\text{-bit}\ (X*Y)$$

PAGE3 : (undefined) not allowed to use

RF (Interrupt status)

(Interrupt status register)

7	6	5	4	3	2	1	0
INT3	-	INT2	INT1	INT0	CNT2	CNT1	TCIF
R/W-0		R/W-0	R/W-0	R/W-0	R/W-0	R/W-0	R/W-0

"1" means interrupt request, "0" means non-interrupt

Bit 0(TCIF) : TCC timer overflow interrupt flag

Set when TCC timer overflows.

Bit 1(CNT1) : counter1 timer overflow interrupt flag

Set when counter1 timer overflows.

Bit 2(CNT2) : counter2 timer overflow interrupt flag

Set when counter2 timer overflows.

Bit 3(INT0) : external INT0 pin interrupt flag

If PORT70 has a falling edge/rising edge (controlled by CONT register) trigger signal, CPU will set this bit.

Bit 4(INT1) : external INT1 pin interrupt flag

If PORT71 has a falling edge trigger signal, CPU will set this bit.

Bit 5(INT2) : external INT2 pin interrupt flag

If PORT72 has a falling edge trigger signal, CPU will set this bit.

Bit 6 : (undefined) not allowed to use

Bit 7(INT3) : external INT3 pin interrupt flag

If PORT73 has a falling edge trigger signal, CPU will set this bit.

<Note> IOCF is the interrupt mask register. User can read and clear.



Trigger edge as the table

Signal	Trigger
TCC	Time out
COUNTER1	Time out
COUNTER2	Time out
INT0	Falling Rising edge
INT1	Falling edge
INT2	Falling edge
DETO	Falling edge Falling and rising edge

R10~R3F (General Purpose Register)

R10~R3F (Banks 0 ~ 3) : all are general purpose registers.

VII.3 Special Purpose Registers

A (Accumulator)

Internal data transfer, or instruction operand holding

It's not an addressable register.

CONT (Control Register)

7	6	5	4	3	2	1	0
P70EG	INT	TS	RETBK	PAB	PSR2	PSR1	PSR0

Bit 0 ~ Bit 2 (PSR0 ~ PSR2) : TCC/WDT prescaler bits

PSR2	PSR1	PSR0	TCC rate	WDT rate
0	0	0	1:2	1:1
0	0	1	1:4	1:2
0	1	0	1:8	1:4
0	1	1	1:16	1:8
1	0	0	1:32	1:16
1	0	1	1:64	1:32
1	1	0	1:128	1:64
1	1	1	1:256	1:128

Bit 3(PAB) : Prescaler assignment bit

0/1 → TCC/WDT

Bit 4(RETBK) : Return value backup control for interrupt routine

0 → disable/enable

When this bit is set to 1, the CPU will store ACC,R3 status and R5 PAGE automatically after an interrupt is triggered. And it will be restored after instruction RETI. When this bit is set to 0, the user need to store ACC, R3 and R5 PAGE in user program.

Bit 5(TS) : TCC signal source

0 → internal instruction cycle clock

1 → 16.384kHz

Bit 6 (INT) : INT enable flag

0 → interrupt masked by DISI or hardware interrupt

1 → interrupt enabled by ENI/RETI instructions
 Bit 7(P70EG) : interrupt edge type of P70
 0 → P70 's interruption source is a rising edge signal.
 1 → P70 's interruption source is a falling edge signal.
 CONTR register is readable (CONTR) and writable (CONTW).
 TCC and WDT :

There is an 8-bit counter available as prescaler for the TCC or WDT. The prescaler is available for the TCC only or WDT only at the same time.

An 8 bit counter is available for TCC or WDT determined by the status of the bit 3 (PAB) of the CONT register.

See the prescaler ratio in CONT register.

Fig.9 depicts the circuit diagram of TCC/WDT.

Both TCC and prescaler will be cleared by instructions which write to TCC each time.

The prescaler will be cleared by the WDTC and SLEP instructions, when assigned to WDT mode.

The prescaler will not be cleared by SLEP instructions, when assigned to TCC mode.

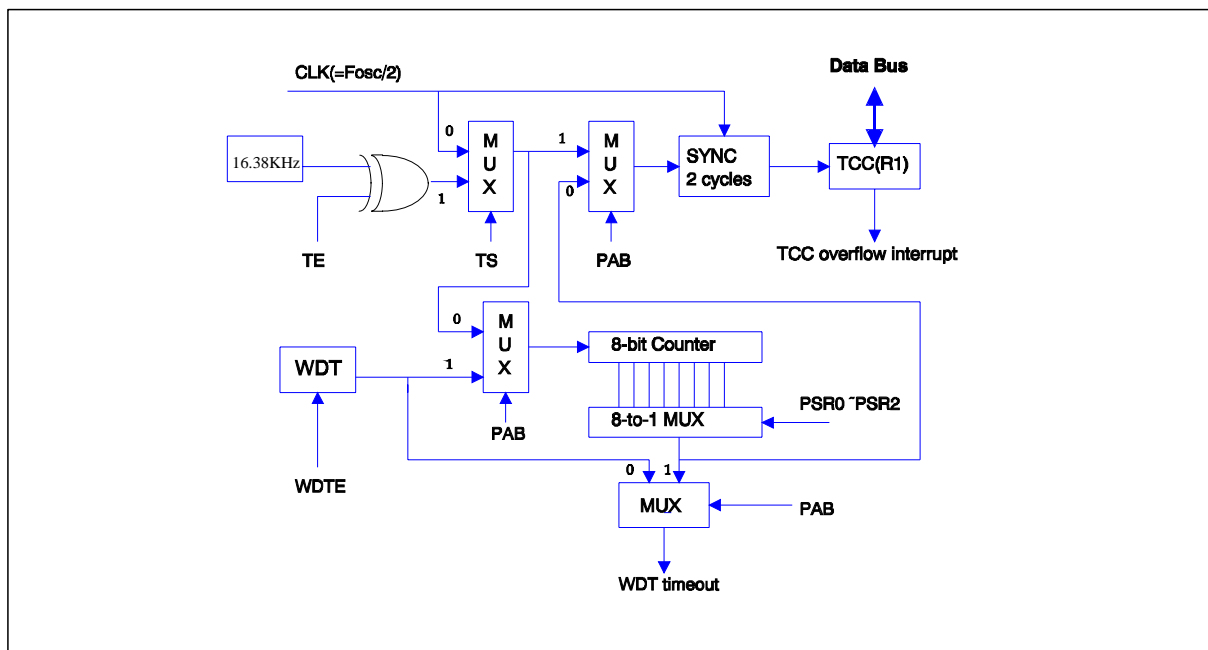


Fig.9 Block diagram of TCC WDT

IOC5 (PORT5 I/O control, LCD bias control)

PAGE0 (LCD bias control bits)

7	6	5	4	3	2	1	0
IOC57	IOC56	IOC55	-	BIAS3	BIAS2	BIAS1	BIAS0
R/W-1	R/W-1	R/W-1		R/W-0	R/W-0	R/W-0	R/W-0

Bit 0 ~ Bit 3 (BIAS0 ~ BIAS3) : LCD operation voltage selection. $V1 = VDD * (1 - n/60)$

BIAS3	BIAS2	BIAS1	BIAS0	$V_{op} (=VDD-V_{LCD})$	Example ($VDD = 3V$)
0	0	0	0	$VDD * (1-0/60)$	3V
0	0	0	1	$VDD * (1-1/60)$	2.95V
0	0	1	0	$VDD * (1-2/60)$	2.90V
0	0	1	1	$VDD * (1-3/60)$	2.85V

* This specification is subject to be changed without notice.

0	1	0	0	VDD * (1-4/60)	2.80V
:	:	:	:	:	:
1	1	0	1	VDD * (1-13/60)	2.35V
1	1	1	0	VDD * (1-14/60)	2.30V
1	1	1	1	VDD * (1-15/60)	2.25V

Bit 4 : (undefined) not allowed to use

Bit 5 ~ Bit 7 (IOC55 ~ IOC57) : PORT5(5~7) I/O direction control register

0 → put the relative I/O pin as output

1 → put the relative I/O pin into high impedance

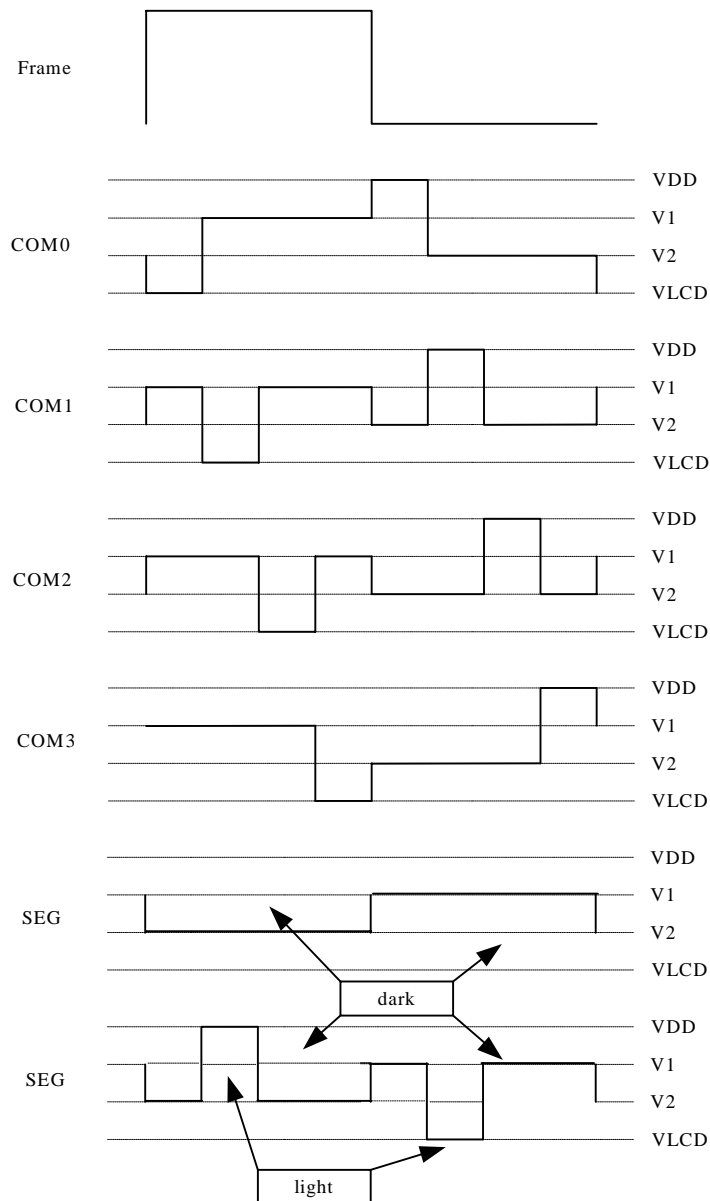


Fig.10 LCD waveform for 1/3 bias, 1/4 duty

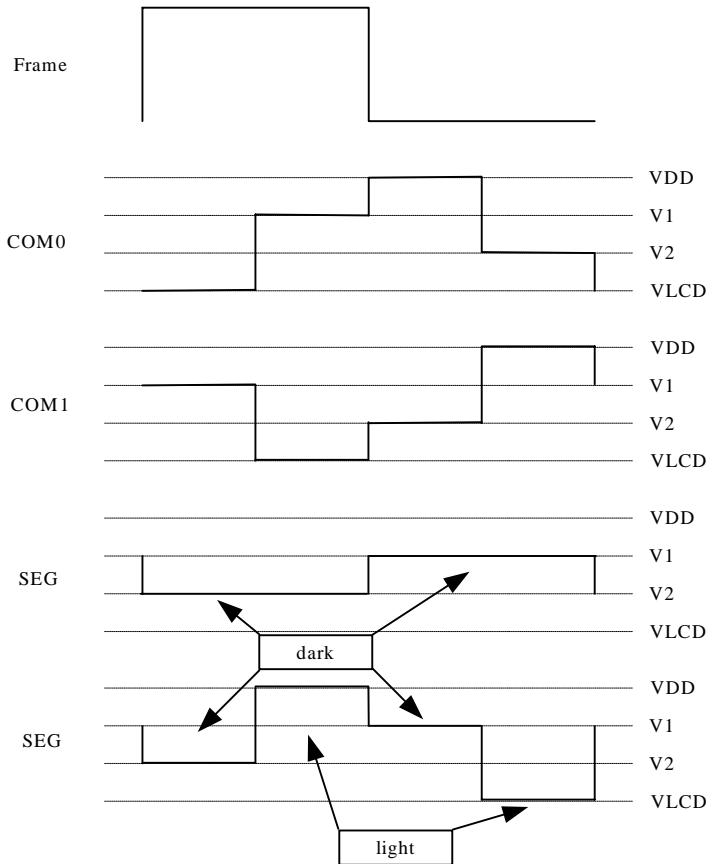


Fig.11 LCD waveform for 1/3 bias, 1/2 duty

IOC6 (PORT6 I/O control, P6* pins switch control)

PAGE0 (PORT6 I/O control register)

7	6	5	4	3	2	1	0
IOC67	IOC66	IOC65	IOC64	IOC63	IOC62	IOC61	IOC60
R/W-1	R/W-1	R/W-1	R/W-1	R/W-1	R/W-1	R/W-1	R/W-1

Bit 0 ~ Bit 7 (IOC60 ~ IOC67) : PORT6(0~7) I/O direction control register

0 → put the relative I/O pin as output

1 → put the relative I/O pin into high impedance

PAGE1 (P6* pins switch control register)

7	6	5	4	3	2	1	0
-	P66S	P65S	P64S	P63S	P62S	P61S	P60S
	R/W-0	R/W-0	R/W-0	R/W-0	R/W-0	R/W-0	R/W-0

“Before using bit 1 ~ Bit 6, please set IOCE PAGE1 bit0(MS) = 1 to enable these port switches function”

Bit 0(P60S) : Select normal I/O PORT60 pin or channel 1 input AD1 pin of ADC

0 → P60 (I/O PORT60) pin is selected

1 → AD1 (Channel 1 input of ADC) pin is selected

Bit 1(P61S) : Select normal I/O PORT61 pin or channel 2 input AD2 pin of ADC

0 → P61 (I/O PORT61) pin is selected

1 → AD2 (Channel 2 input of ADC) pin is selected



Bit 2(P62S) : Select normal I/O PORT62 pin or channel 3 input AD3 pin of ADC

- 0 → P62 (I/O PORT62) pin is selected
- 1 → AD3 (Channel 3 input of ADC) pin is selected

Bit 3(P63S) : Select normal I/O PORT63 pin or channel 4 input AD4 pin of ADC

- 0 → P63 (I/O PORT63) pin is selected
- 1 → AD4 (Channel 4 input of ADC) pin is selected

Bit 4(P64S) : Select normal I/O PORT64 pin or channel 5 input AD5 pin of ADC

- 0 → P64 (I/O PORT64) pin is selected
- 1 → AD5 (Channel 5 input of ADC) pin is selected

Bit 4(P65S) : Select normal I/O PORT65 pin or channel 6 input AD6 pin of ADC

- 0 → P65 (I/O PORT65) pin is selected
- 1 → AD6 (Channel 6 input of ADC) pin is selected

Bit 6(P66S) : Select normal I/O PORT66 pin or external reference voltage input of ADC

- 0 → P66 (I/O PORT66) pin is selected and ADC reference voltage come from internal VDD
- 1 → VREF (External reference voltage input of ADC) pin is selected

This bit can switch AD converter reference voltage coming from internal or external voltage.

If this bit set to internal, then the reference voltage will be VDD and PORT66 is a normal I/O PORT. If it set to external reference voltage, then the voltage will connected to VREF pin.

Bit 7 : (undefined) not allowed to use

IOC7 (PORT7 I/O control, PORT7 pull high control)

PAGE0 (PORT7 I/O control register)

7	6	5	4	3	2	1	0
IOC77	IOC76	IOC75	IOC74	IOC73	IOC72	IOC71	IOC70
R/W-1	R/W-1	R/W-1	R/W-1	R/W-1	R/W-1	R/W-1	R/W-1

Bit 0 ~ Bit 7 (IOC70 ~ IOC77) : PORT7(0~7) I/O direction control register

- 0 → put the relative I/O pin as output
- 1 → put the relative I/O pin into high impedance

PAGE1 (PORT7 pull high control register)

7	6	5	4	3	2	1	0
PH77	PH76	PH75	PH74	PH73	PH72	PH71	PH70
R/W-0	R/W-0	R/W-0	R/W-0	R/W-0	R/W-0	R/W-0	R/W-0

Bit 0 ~ Bit 7 (PH70 ~ PH77) : PORT7 bit0~bit7 pull high control register

- 0 → disable pull high function.
- 1 → enable pull high function

IOC8 (PORT8 I/O control, PORT8 pull high control)

PAGE0 (PORT8 I/O control register)

7	6	5	4	3	2	1	0
IOC87	IOC86	IOC85	IOC84	IOC83	IOC82	IOC81	IOC80
R/W-1	R/W-1	R/W-1	R/W-1	R/W-1	R/W-1	R/W-1	R/W-1

Bit 0 ~ Bit 7 (IOC80 ~ IOC87) : PORT8(0~7) I/O direction control register

- 0 → put the relative I/O pin as output
- 1 → put the relative I/O pin into high impedance



PAGE1 (PORT8 pull high control register)

7	6	5	4	3	2	1	0
PH87	PH86	PH85	PH84	PH83	PH82	PH81	PH80
R/W-0	R/W-0	R/W-0	R/W-0	R/W-0	R/W-0	R/W-0	R/W-0

Bit 0 ~ Bit 7 (PH80 ~ PH87) : PORT8 bit0~bit7 pull high control register
 0 → disable pull high function.
 1 → enable pull high function

IOC9 (PORT9 I/O control, PORT9 switches)

PAGE0 (PORT9 I/O control register)

7	6	5	4	3	2	1	0
IOC97	IOC96	IOC95	IOC94	IOC93	IOC92	IOC91	IOC90
R/W-1	R/W-1	R/W-1	R/W-1	R/W-1	R/W-1	R/W-1	R/W-1

Bit 0 ~ Bit 7 (IOC90 ~ IOC97) : PORT9(0~7) I/O direction control register
 0 → put the relative I/O pin as output
 1 → put the relative I/O pin into high impedance

PAGE1 (PORT9 switches)

7	6	5	4	3	2	1	0
P97S	P96S	P95S	P94S	P93S	P92S	P91S	P90S
R/W-0	R/W-0	R/W-0	R/W-0	R/W-0	R/W-0	R/W-0	R/W-0

Bit 0(P90S) : Switch I/O PORT90 or LCD segment signal
 0 → (P90 pin is selected) : normal PORT90
 1 → (SEG20 pin) : SEGMENT output
 Bit 1(P91S) : Switch I/O PORT91 or LCD segment signal
 0 → (P91 pin is selected) : normal PORT91
 1 → (SEG19 pin) : SEGMENT output
 Bit 2(P92S) : Switch I/O PORT92 or LCD segment signal
 0 → (P92 pin is selected) : normal PORT92
 1 → (SEG18 pin) : SEGMENT output
 Bit 3(P93S) : Switch I/O PORT93 or LCD segment signal
 0 → (P93 pin is selected) : normal PORT93
 1 → (SEG17 pin) : SEGMENT output
 Bit 4(P94S) : Switch I/O PORT94 or LCD segment signal
 0 → (P94 pin is selected) : normal PORT94
 1 → (SEG16 pin) : SEGMENT output
 Bit 5(P95S) : Switch I/O PORT95 or LCD segment signal
 0 → (P95 pin is selected) : normal PORT95
 1 → (SEG15 pin) : SEGMENT output
 Bit 6(P96S) : Switch I/O PORT96 or LCD segment signal
 0 → (P96 pin is selected) : normal PORT96
 1 → (SEG14 pin) : SEGMENT output
 Bit 7(P97S) : Switch I/O PORT97 or LCD segment signal
 0 → (P97 pin is selected) : normal PORT97
 1 → (SEG13 pin) : SEGMENT output



IOCA (Reserved)

PAGE0(Unused)

PAGE1 DAC control

7	6	5	4	3	2	1	0
X	VREF	X	X	DAST/P67	X	X	X
-	R/W-0	-	-	R/W-0	-	-	-

Bit 0 ~ Bit 2 : Unused. These 3 bits are not allowed to use.

Bit 3(DAST/P67) : DAC enable control or P67 switch

0 → switch DAO/P67 pin as normal I/O P67

1 → enable DAC, enable DAC output buffer B1 and DAC output to DAO/P67 pin

When this bit is set by software, the DA converter will start converting and output to DAO/P67 pin. If user clean this bit, DA converter will stop and DAO/P67 pin will be become normal I/O P67.

Bit 4 ~ Bit 5 : Unused. These two bits are not allowed to use.

Bit 6(VREF) : Reference voltage selection bit for DA converter circuit

DAC reference setting is shown as following. Also see Fig.12 in the next page.

VREF	DAST/P67	Function
x	0	disable 2.5V, disable DAC
1	1	select 2.5V ref, enable 2.5V ref, enable DAC, enable output to DAO/P67 pin
0	1	select VDD, disable 2.5V, enable DAC, enable output to DAO/P67 pin

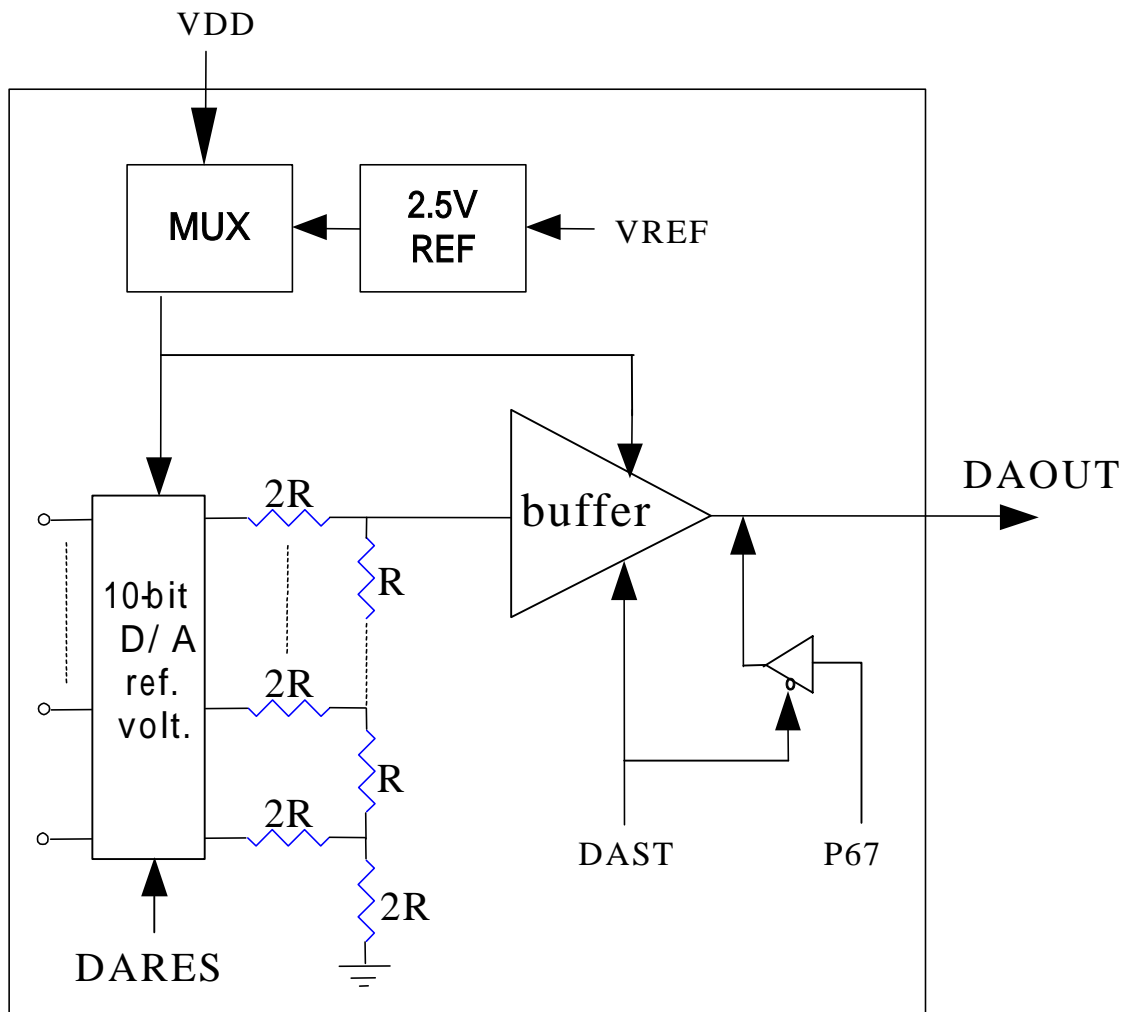


Fig.12 D/A converter (DAC)

IOCB (PORTB I/O control, ADC control)

PAGE0 (PORTB I/O control register)

7	6	5	4	3	2	1	0
IOCB7	IOCB6	IOCB5	IOCB4	IOCB3	IOCB2	IOCB1	IOCB0
R/W-1	R/W-1	R/W-1	R/W-1	R/W-1	R/W-1	R/W-1	R/W-1

Bit 0 ~ Bit 7 (IOCB0 ~ IOCB7) : PORTB(0~7) I/O direction control register

0 → put the relative I/O pin as output

1 → put the relative I/O pin into high impedance

PAGE1 (ADC control bits)

7	6	5	4	3	2	1	0
IN2	IN1	IN0	ADCLK1	ADCLK0	ADPWR	X	ADST
R/W-0	R/W-0	R/W-0	R/W-0	R/W-0	R/W-0	-	R/W-0

Bit 0(ADST) : AD converter start to sample

By setting to "1", the AD will start to sample data. This bit will be cleared by hardware automatically after a sampling.

* This specification is subject to be changed without notice.

Bit 1 : (undefined) not allowed to use

Bit 2(ADPWR) : AD converter power control, 1/0 → enable/disable

Bit 3 ~ Bit 4 (ADCLK0 ~ ADCLK1) : AD circuit 's sampling clock source.

For PLL clock = 895.658kHz ~17.9MHz (CLK2~CLK0 = 001 ~ 110)

ADCLK1	ADCLK0	Sampling rate	Operation voltage
0	0	74.6K	≥3.5V
0	1	37.4K	≥3.0V
1	0	18.7K	≥2.5V
1	1	9.3K	≥2.5V

For PLL clock = 447.829kHz (CLK2~CLK0 = 000)

ADCLK1	ADCLK0	Sampling rate	Operation voltage
0	0	37.4K	≥3.0V
0	1	18.7K	≥3.0V
1	0	9.3K	≥2.5V
1	1	4.7K	≥2.5V

This is a CMOS multi-channel 10-bit successive approximation A/D converter.

Features

74.6kHz maximum conversion speed at 5V.

Adjusted full scale input

External reference voltage input or internal(VDD) reference voltage

6 analog inputs multiplexed into one A/D converter

Power down mode for power saving

A/D conversion complete interrupt

Interrupt register, A/D control and status register, and A/D data register

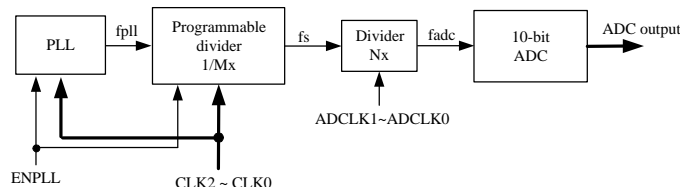


Fig.13 ADC sampling clock control logic

fpll	Mx	fs	fadcon = fadc / 12			
			Nx = 1	Nx = 2	Nx = 4	Nx = 8
14.331MHz	16	895.658kHz	74.638kHz	37.391kHz	18.659kHz	9.329kHz
10.747MHz	12	895.658kHz	74.638kHz	37.391kHz	18.659kHz	9.329kHz
7.165MHz	8	895.658kHz	74.638kHz	37.391kHz	18.659kHz	9.329kHz
3.582MHz	4	895.658kHz	74.638kHz	37.391kHz	18.659kHz	9.329kHz
1.791MHz	2	895.658kHz	74.638kHz	37.391kHz	18.659kHz	9.329kHz
895.658kHz	1	895.658kHz	74.638kHz	37.391kHz	18.659kHz	9.329kHz
447.829kHz	1	447.829kHz	37.391kHz	18.659kHz	9.329kHz	4.665kHz

Bit 5 ~ Bit 7(IN0~ IN2) : Input channel selection of AD converter

These two bits can choose one of three AD input.

IN2	IN1	IN0	Input
0	0	0	AD1
0	0	1	AD2
0	1	0	AD3

0	1	1	AD4
1	0	0	AD5
1	0	1	AD6

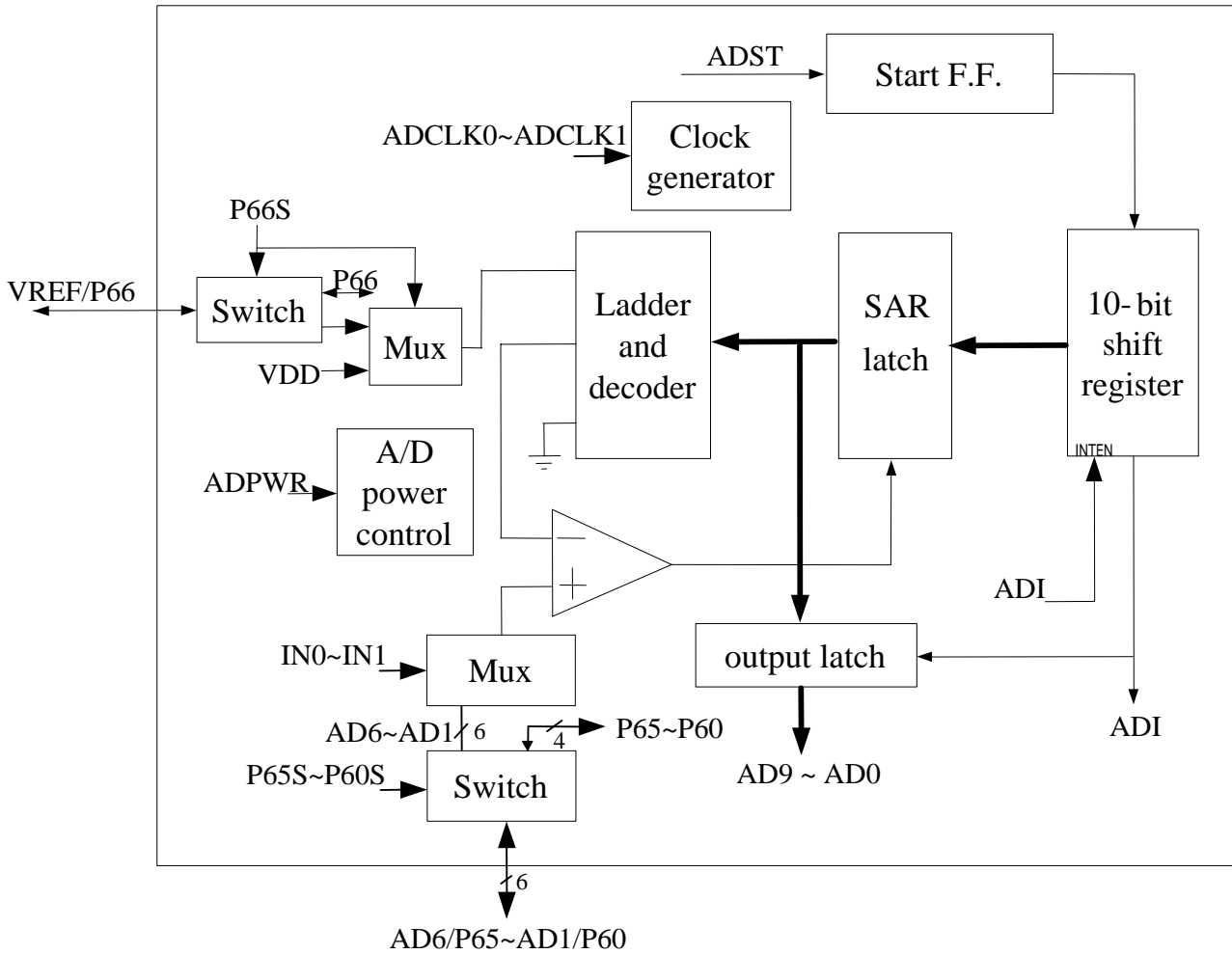


Fig.14 A/D converter (ADC), set IOCC PAGE1 bit0 = 1



IOCC (PORTC I/O control, ADC control)

PAGE0 (PORTC I/O control register)

7	6	5	4	3	2	1	0
IOCC7	IOCC6	IOCC5	IOCC4	IOCC3	IOCC2	IOCC1	IOCC0
R/W-1	R/W-1	R/W-1	R/W-1	R/W-1	R/W-1	R/W-1	R/W-1

Bit 0 ~ Bit 7 (IOCC0 ~ IOCC7) : PORTC(0~7) I/O direction control register

0 → put the relative I/O pin as output

1 → put the relative I/O pin into high impedance

PAGE1 (PORT switch)

7	6	5	4	3	2	1	0
PC7S	PC6S	PC5S	PBSH	PBSL	P5SH	-	MS
R/W-0	R/W-0	R/W-0	R/W-0	R/W-0	R/W-0		R/W/0

Bit 0(MS) : P6* switch mode selection

0 → (default unknown)

1 → ADC input mode selection

(Always set this bit to "1" otherwise partial ADC function cannot be used)

Bit 1: (undefined) not allowed to use

Bit 2(P5SH) : Switch I/O PORT5 high nibble(5~7) or LCD segment signal

0 → (P55 ~ P57 pins are selected) : normal PORT5 high nibble(5~7)

1 → (SEG10 ~ SEG12 pins are selected) : SEGMENT output

Bit 3(PBSL) : Switch I/O PORTB low nibble(0~3) or LCD segment signal

0 → (PB0 ~ PB3 pins are selected) : normal PORTB low nibble(0~3)

1 → (SEG28 ~ SEG25 pins are selected) : SEGMENT output

Bit 4(PBSH) : Switch I/O PORTB high nibble(4~7) or LCD segment signal

0 → (PB5 ~ PB7 pins are selected) : normal PORTB high nibble(4~7)

1 → (SEG24 ~ SEG21 pins are selected) : SEGMENT output

Bit 5(PC5S) : Switch I/O PORTC5 or LCD segment signal

0 → (PC5 pin is selected) : normal PORTC5

1 → (SEG31 pin) : SEGMENT output

Bit 6(PC6S) : Switch I/O PORTC6 or LCD segment signal

0 → (PC6 pin is selected) : normal PORTC6

1 → (SEG30 pin) : SEGMENT output

Bit 7(PC7S) : Switch I/O PORTC7 or LCD segment signal

0 → (PC7 pin is selected) : normal PORTC7

1 → (SEG29 pin) : SEGMENT output

IOCD (Clock source, Prescaler of CN1 and CN2)

PAGE0: (undefined) not allowed to use

PAGE1 (Clock source and prescaler for COUNTER1 and COUNTER2)

7	6	5	4	3	2	1	0
CNT2S	C2_PSC2	C2_PSC1	C2_PSC0	CNT1S	C1_PSC2	C1_PSC1	C1_PSC0
R/W-0	R/W-0	R/W-0	R/W-0	R/W-0	R/W-0	R/W-0	R/W-0

Bit 0 ~ Bit 2 (C1_PSC0 ~ C1_PSC2) : COUNTER1 prescaler ratio

C1_PSC2	C1_PSC1	C1_PSC0	COUNTER1
0	0	0	1:2
0	0	1	1:4
0	1	0	1:8
0	1	1	1:16
1	0	0	1:32

* This specification is subject to be changed without notice.



1	0	1	1:64
1	1	0	1:128
1	1	1	1:256

Bit 3(CNT1S) : COUNTER1 clock source

0/1 → 16.384kHz/system clock

Bit 4 ~ Bit 6 (C2_PSC0 ~ C2_PSC2) : COUNTER2 prescaler ratio

C2_PSC2	C2_PSC1	C2_PSC0	COUNTER2
0	0	0	1:2
0	0	1	1:4
0	1	0	1:8
0	1	1	1:16
1	0	0	1:32
1	0	1	1:64
1	1	0	1:128
1	1	1	1:256

Bit 7(CNT2S) : COUNTER2 clock source

0/1 → 16.384kHz/system clock

IOCE (Interrupt mask)

PAGE0 (Interrupt mask)

7	6	5	4	3	2	1	0
PWM2	RBF	ADI	PWM1	/WUP83	/WUP82	/WUP81	/WUP80
R/W-0	R/W-0	R/W-0	R/W-0	R/W-0	R/W-0	R/W-0	R/W-0

Bit 0 (/WUP80) : PORT80 wake-up control, 0/1 → disable/enable P80 pin wake-up function

Bit 1 (/WUP81) : PORT81 wake-up control, 0/1 → disable/enable P81 pin wake-up function

Bit 2 (/WUP82) : PORT82 wake-up control, 0/1 → disable/enable P82 pin wake-up function

Bit 3 (/WUP83) : PORT83 wake-up control, 0/1 → disable/enable P83 pin wake-up function

Bit 4 (PWM1) : PWM1 interrupt enable bit

0/1 → disable/enable interrupt

Bit 5 (ADI) : ADC conversion complete interrupt mask

0/1 → disable/enable interrupt

There are four registers for A/D converter. Use one bit of interrupt control register (IOCE PAGE0 Bit5) for A/D conversion complete interrupt. The status and control register of A/D (IOCB PAGE1 and RE PAGE0 Bit5) responses the A/D conversion status or takes control on A/D. The A/D data register (RB PAGE1) stores A/D conversion result.

ADI bit in IOCE PAGE0 register is end of A/D conversion complete interrupt enable/disable. It enables/disables ADI flag in RE register when A/D conversion is complete. ADI flag indicates the end of an A/D conversion. The A/D converter sets the interrupt flag, ADI in RE PAGE0 register when a conversion is complete. The interrupt can be disabled by setting ADI bit in IOCE PAGE0 Bit5 to '0'.

The A/D converter has six analog input channels AD1~AD6 multiplexed into one sample and hold to A/D module. Reference voltage can be driven from VREF pin or internal power. The A/D converter itself is of an 10-bit successive approximation type and produces an 10-bit result in the RB PAGE1 and R7 PAGE1 data register. A conversion is initiated by setting a control bit ADST in IOCB PAGE1 Bit0. Prior to conversion, the appropriate channel must be selected by setting IN0~IN1 bits in RE register and allowed for enough time to sample data. Every conversion data of A/D need 12-clock cycle time. The minimum conversion time required is 13 us (74K sample rate). ADST Bit in IOCB PAGE1 Bit0 must be set to begin a conversion.

It will be automatically reset in hardware when conversion is complete. At the end of conversion, the START bit is cleared and the A/D interrupt is activated if ADI in IOCE PAGE0 Bit5 = 1. ADI will be set when conversion is complete. It can be reset in software.

If ADI = 0 in IOCE PAGE0 Bit5, when A/D start conversion by setting ADST(IOCB PAGE1 Bit0) = 1 then A/D will continue conversion without stop and hardware won't reset ADST bit. In this condition, ADI is deactivated. After ADI in IOCE PAGE0 bit5 is set, ADI in RE PAGE0 bit5 will activate again.

To minimum operating current, all biasing circuits in the A/D module that consume DC current are power down when ADPWR bit in IOCB PAGE1 Bit2 register is a '0'. When ADPWR bit is a '1', A/D converter module is operating.

User has to set PORT60~ PORT65 as AD converter input pin or bi-direction IO PORT.

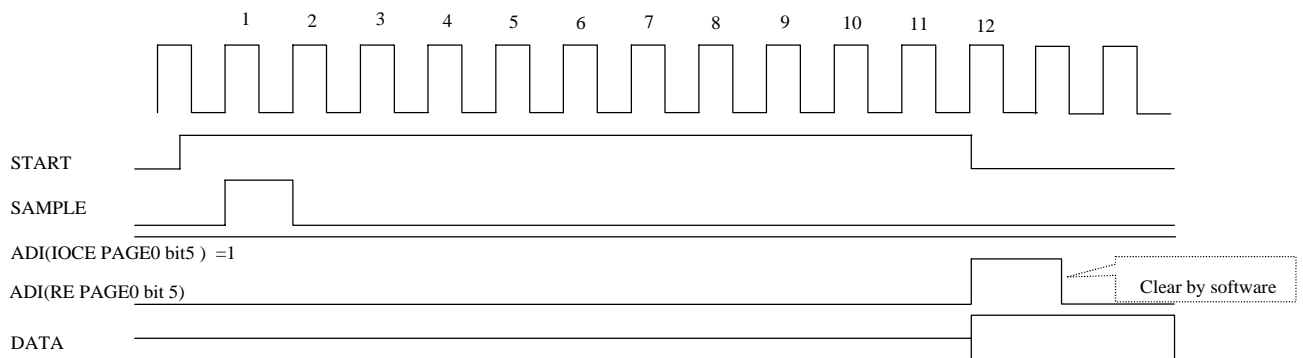


Fig.15 A/D converter timing

Bit 6 (RBF) : SPI's RBF interrupt mask

0/1 → disable/enable interrupt

Bit 7 (PWM2) : PWM2 interrupt enable bit

0/1 → disable/enable interrupt

IOCF (Interrupt mask)

(Interrupt mask register)

Bit7	Bit6	Bit5	Bit4	Bit3	Bit2	Bit1	Bit0
INT3	0	INT2	INT1	INT0	CNT2	CNT1	TCIF
R/W-0	R/W-0	R/W-0	R/W-0	R/W-0	R/W-0	R/W-0	R/W-0

Bit 0 ~ 5,7 : interrupt enable bit

0 → disable interrupt

1 → enable interrupt

Bit 6 : (remain these values to "0" otherwise it will generate unpredicted interrupts)

The status after interrupt and the interrupt sources list as the table below.

Interrupt signal	GREEN mode	NORMAL mode
	RA(7,6)=(x,0) no SLEP	RA(7,6)=(x,1) no SLEP
TCC time out IOCF bit0=1 And "ENI"	Interrupt (jump to address 8 at page0)	Interrupt (jump to address 8 at page0)
COUNTER1 time out IOCF bit1=1	Interrupt (jump to address 8 at	Interrupt (jump to address 8 at



And "ENI"	page0)	page0)
COUNTER2 time out IOCF bit2=2 And "ENI"	Interrupt (jump to address 8 at page0)	Interrupt (jump to address 8 at page0)
PORT7(0~3) IOCF bit3 or bit4 or bit5 or bit7=1 And "ENI"	Interrupt (jump to address 8 at page0)	Interrupt (jump to address 8 at page0)
RBF IOCE bit6 = 1 And "ENI"	Interrupt <ps> (jump to address 8 at page0)	Interrupt (jump to address 8 at page0)
ADI IOCE bit5 = 1 And "ENI"	No function	Interrupt (jump to address 8 at page0)
PWM1 IOCE bit4 = 1 And "ENI"	Interrupt <ps> (jump to address 8 at page0)	Interrupt (jump to address 8 at page0)
PWM2 IOCE bit7 = 1 And "ENI"	Interrupt <ps> (jump to address 8 at page0)	Interrupt (jump to address 8 at page0)

<Note> PORT70 's interrupt function is controlled by IOCF bit 3. It's falling edge or rising edge trigger (controlled by CONT register bit7).

PORT7(1~3) 's wakeup functions are controlled by IOCF bit (4,5,7). They are falling edge trigger.

ADI interrupt source function is controlled by RE PAGE0 bit 5. It is rising edge trigger after ADC sample complete.

<ps> It only happens when master and 16.386kHz mode is selected.

VII.4 I/O Port

The I/O registers are bi-directional tri-state I/O ports. The I/O ports can be defined as "input" or "output" pins by the I/O control registers under program control. The I/O data registers and I/O control registers are both readable and writable. The I/O interface circuit is shown in Fig.16.

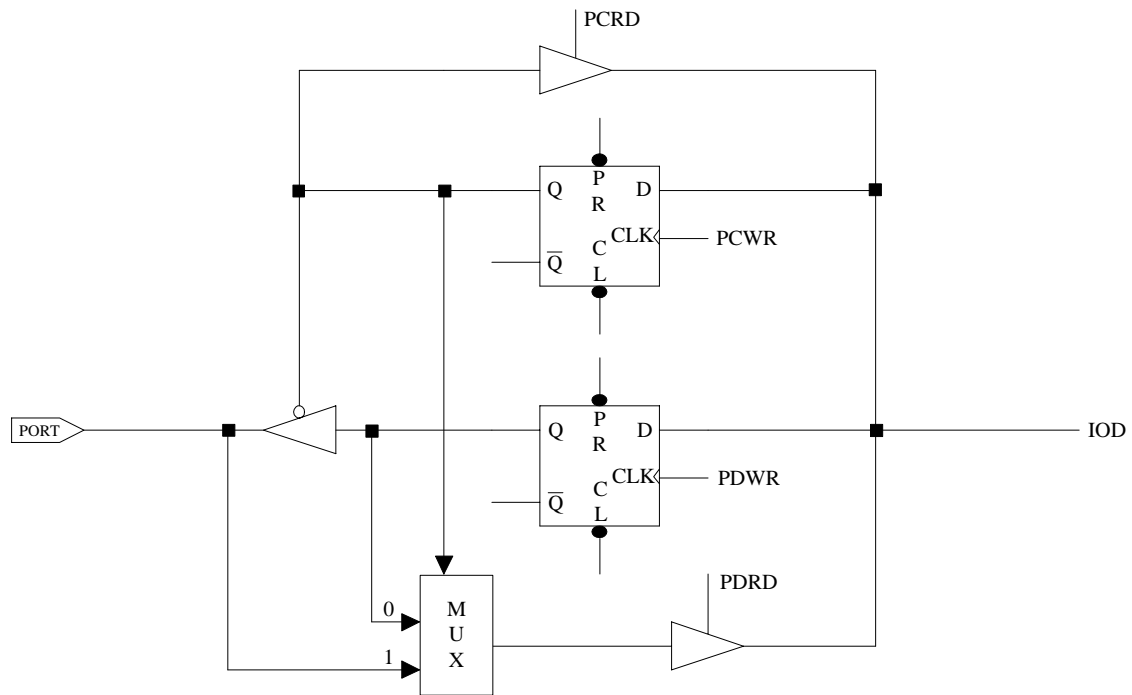


Fig.16_1 The circuit of I/O port and I/O control register

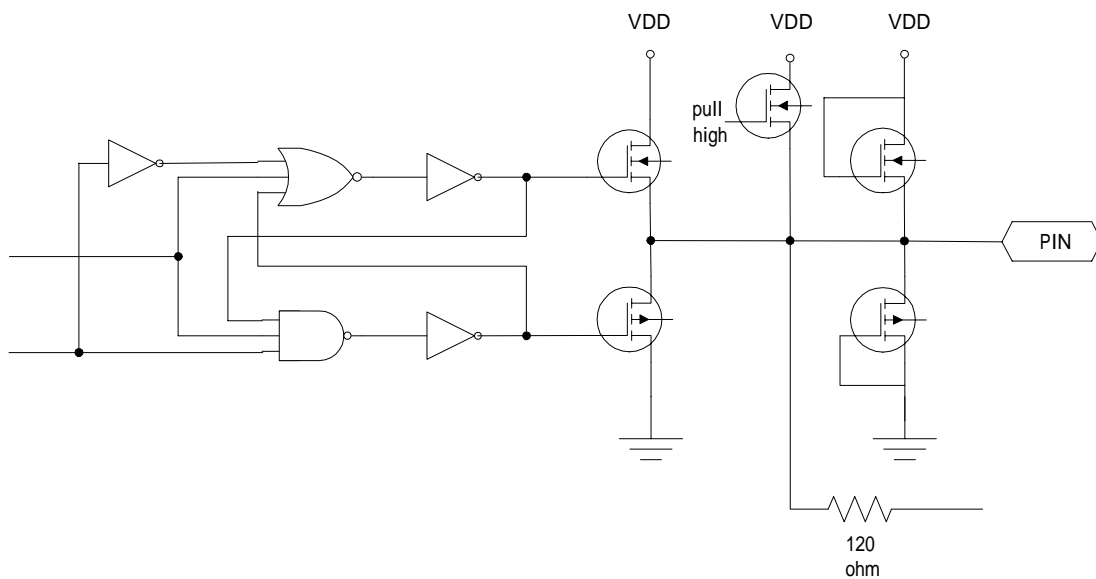


Fig.16_2 The input/output circuit of EM78P569 input/output ports



VII.5 RESET

The RESET can be caused by

- (1) Power on reset
- (2) WDT timeout. (if enabled and in GREEN or NORMAL mode)
- (3) /RESET pin pull low

Once the RESET occurs, the following functions are performed.

- The oscillator is running, or will be started.
- The Program Counter (R2) is set to all "0".
- When power on, the upper 3 bits of R3 and the upper 2 bits of R4 are cleared.
- The Watchdog timer and pre-scaler counter are cleared.
- The Watchdog timer is disabled.
- The CONT register is set to all "1"
- The other register (bit 7 ~ bit 0) default values are as follows.

Operation registers :

Address	R register PAGE0	R register PAGE1	R register PAGE2	R register PAGE3	IOC register PAGE0	IOC register PAGE1
0x4	00xxxxxx					
0x5	xxxx0000	xxxx0000	00000000	00000000	111x0000	
0x6	xxxxxxxx	xxxxxxxx	xxxxxxxx	00000000	11111111	00000000
0x7	xxxxxxxx	xxxx0000		xxxxxx00	11111111	00000000
0x8	xxxxxxxx	00000000		00000000	11111111	00000000
0x9	xxxxxxxx	xxxxxxxx		00000000	11111111	00000000
0xA	00011xx0	11111111	0x000000	xxxxxx00	xxxxxxxx	x0xx0xx
0xB	xxxxxxxx	xxxxxxxx	xxxxxxxx	00000000	11111111	000000x0
0xC	xxxxxxxx	00000000	xxxxxxxx		11111111	00000000
0xD	xxxxx000	00000000	xxxxxxxx		xxxxxxxx	00000000
0xE	00000000		xxxxxxxx		0000xxxx	xxxxxxxx
0xF	00000000				00000000	

VII.6 Wake-up

The controller provided sleep mode for power saving :

- (1) SLEEP mode, RA(7) = 0 + "SLEP" instruction

The controller will turn off all the CPU and crystal. Other circuit with power control like key tone control or PLL control (which has enable register), user has to turn it off by software.

Wake-up from SLEEP mode

- (1) WDT time out
- (2) External interrupt
- (3) /RESET pull low

All these cases will reset controller , and run the program at address zero. The status just like the power on reset.

VII.7 Interrupt

RF is the interrupt status register which records the interrupt request in flag bit. IOCF is the interrupt mask register. Global interrupt is enabled by ENI instruction and is disabled by DISI instruction. When one of the interrupts (when enabled) generated, will cause the next instruction to be fetched from address 008H. Once in the interrupt service routine, the source of the interrupt can be determined by polling the flag bits in the RF register.



The interrupt flag bit must be cleared in software before leaving the interrupt service routine and enabling interrupts to avoid recursive interrupts.

VII.8 Instruction Set

Instruction set has the following features:

- (1) Every bit of any register can be set, cleared, or tested directly.
- (2) The I/O register can be regarded as general register. That is, the same instruction can operate on I/O register.

The symbol "R" represents a register designator which specifies which one of the 64 registers (including operational registers and general purpose registers) is to be utilized by the instruction. Bits 6 and 7 in R4 determine the selected register bank. "b" represents a bit field designator which selects the number of the bit, located in the register "R", affected by the operation. "k" represents an 8 or 10-bit constant or literal value.

INSTRUCTION BINARY	HEX	MNEMONIC	OPERATION	STATUS AFFECTED	Instruction Cycle**
0 0000 0000 0000	0000	NOP	No Operation	None	1
0 0000 0000 0001	0001	DAA	Decimal Adjust A	C	1
0 0000 0000 0010	0002	CONTW	A → CONT	None	1
0 0000 0000 0011	0003	SLEP	0 → WDT, Stop oscillator	T,P	1
0 0000 0000 0100	0004	WDTC	0 → WDT	T,P	1
0 0000 0000 rrrr	000r	IOW R	A → IOCR	None	1
0 0000 0001 0000	0010	ENI	Enable Interrupt	None	1
0 0000 0001 0001	0011	DISI	Disable Interrupt	None	1
0 0000 0001 0010	0012	RET	[Top of Stack] → PC	None	2
0 0000 0001 0011	0013	RETI	[Top of Stack] → PC Enable Interrupt	None	2
0 0000 0001 0100	0014	CONTR	CONT → A	None	1
0 0000 0001 rrrr	001r	IOR R	IOCR → A	None	1
0 0000 0010 0000	0020	TBL	R2+A → R2 bits 9,10 do not clear	Z,C,DC	2
0 0000 0011 0000	0030	INT A	(MR)(+/-)(s/us X)*(s/us Y) → MR	None	1
0 0000 01rr rrrr	00rr	MOV R,A	A → R	None	1
0 0000 1000 0000	0080	CLRA	0 → A	Z	1
0 0000 11rr rrrr	00rr	CLR R	0 → R	Z	1
0 0001 00rr rrrr	01rr	SUB A,R	R-A → A	Z,C,DC	1
0 0001 01rr rrrr	01rr	SUB R,A	R-A → R	Z,C,DC	1
0 0001 10rr rrrr	01rr	DECA R	R-1 → A	Z	1
0 0001 11rr rrrr	01rr	DEC R	R-1 → R	Z	1
0 0010 00rr rrrr	02rr	OR A,R	A VR → A	Z	1
0 0010 01rr rrrr	02rr	OR R,A	A VR → R	Z	1
0 0010 10rr rrrr	02rr	AND A,R	A & R → A	Z	1
0 0010 11rr rrrr	02rr	AND R,A	A & R → R	Z	1
0 0011 00rr rrrr	03rr	XOR A,R	A ⊕ R → A	Z	1
0 0011 01rr rrrr	03rr	XOR R,A	A ⊕ R → R	Z	1

* This specification is subject to be changed without notice.



0	0011	10rr	rrrr	03rr	ADD A,R	$A + R \rightarrow A$	Z,C,DC	1
0	0011	11rr	rrrr	03rr	ADD R,A	$A + R \rightarrow R$	Z,C,DC	1
0	0100	00rr	rrrr	04rr	MOV A,R	$R \rightarrow A$	Z	1
0	0100	01rr	rrrr	04rr	MOV R,R	$R \rightarrow R$	Z	1
0	0100	10rr	rrrr	04rr	COMA R	$\neg R \rightarrow A$	Z	1
0	0100	11rr	rrrr	04rr	COM R	$\neg R \rightarrow R$	Z	1
0	0101	00rr	rrrr	05rr	INCA R	$R+1 \rightarrow A$	Z	1
0	0101	01rr	rrrr	05rr	INC R	$R+1 \rightarrow R$	Z	1
0	0101	10rr	rrrr	05rr	DJZA R	$R-1 \rightarrow A$, skip if zero	None	2 if skip
0	0101	11rr	rrrr	05rr	DJZ R	$R-1 \rightarrow R$, skip if zero	None	2 if skip
0	0110	00rr	rrrr	06rr	RRCA R	$R(n) \rightarrow A(n-1)$ $R(0) \rightarrow C, C \rightarrow A(7)$	C	1
0	0110	01rr	rrrr	06rr	RRC R	$R(n) \rightarrow R(n-1)$ $R(0) \rightarrow C, C \rightarrow R(7)$	C	1
0	0110	10rr	rrrr	06rr	RLCA R	$R(n) \rightarrow A(n+1)$ $R(7) \rightarrow C, C \rightarrow A(0)$	C	1
0	0110	11rr	rrrr	06rr	RLC R	$R(n) \rightarrow R(n+1)$ $R(7) \rightarrow C, C \rightarrow R(0)$	C	1
0	0111	00rr	rrrr	07rr	SWAPA R	$R(0-3) \rightarrow A(4-7)$ $R(4-7) \rightarrow A(0-3)$	None	1
0	0111	01rr	rrrr	07rr	SWAP R	$R(0-3) \leftrightarrow R(4-7)$	None	1
0	0111	10rr	rrrr	07rr	JZA R	$R+1 \rightarrow A$, skip if zero	None	2 if skip
0	0111	11rr	rrrr	07rr	JZ R	$R+1 \rightarrow R$, skip if zero	None	2 if skip
0	100b	bbrr	rrrr	0xxx	BC R,b	$0 \rightarrow R(b)$	None	1
0	101b	bbrr	rrrr	0xxx	BS R,b	$1 \rightarrow R(b)$	None	1
0	110b	bbrr	rrrr	0xxx	JBC R,b	if $R(b)=0$, skip	None	2 if skip
0	111b	bbrr	rrrr	0xxx	JBS R,b	if $R(b)=1$, skip	None	2 if skip
1	00kk	kkkk	kkkk	1kkk	CALL k	$PC+1 \rightarrow [SP]$ (Page, k) $\rightarrow PC$	None	2
1	01kk	kkkk	kkkk	1kkk	JMP k	(Page, k) $\rightarrow PC$	None	2
1	1000	kkkk	kkkk	18kk	MOV A,k	$k \rightarrow A$	None	1
1	1001	kkkk	kkkk	19kk	OR A,k	$A \vee k \rightarrow A$	Z	1
1	1010	kkkk	kkkk	1Akk	AND A,k	$A \& k \rightarrow A$	Z	1
1	1011	kkkk	kkkk	1Bkk	XOR A,k	$A \oplus k \rightarrow A$	Z	1
1	1100	kkkk	kkkk	1Ckk	RETL k	$k \rightarrow A$, [Top of Stack] $\rightarrow PC$	None	2
1	1101	kkkk	kkkk	1Dkk	SUB A,k	$k-A \rightarrow A$	Z,C,DC	1
1	1110	0000	0001	1E01	INT	$PC+1 \rightarrow [SP]$ 001H $\rightarrow PC$	None	1
1	1110	100k	kkkk	1E8k	PAGE k	$K \rightarrow R5(4:0)$	None	1
1	1111	kkkk	kkkk	1Fkk	ADD A,k	$k+A \rightarrow A$	Z,C,DC	1

** About execute instruction ADD and SUB, please reference to RA page2 bit 7

** Instruction cycle = 2 main CLK

VII.9 Code Option

CODE Option Register

13	12	11	10	9	8	7	6	5	4	3	2	1	0
		PHO	VERSEL	1						MER			/POT0

Bit 0 (/POT0): program ROM protect option.

If set 1 to the bit, program memory can be access; else if clear this bit , program memory can not be access.

Bit 3(MER) : Memory error recover function

0 → disable memory error recover function

1 → enable memory error recovery function

If user enable memory error recovery function, MCU will improve effect from environment noise.

Bit 9: This bit must set to 1.

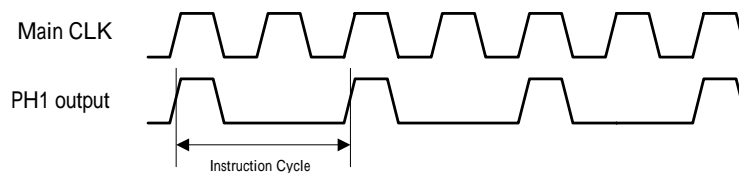
Bit 10(VERSEL) : Version select.

	VERSEL = 0	VERSEL = 1
Data RAM address	R8 page1	RB page2
Data ram address auto-increase	Not support	Enable
“ADD” & “SUB” include “carry“ bit	Not support	Determined by RA page2 bit7

Bit 11(PHO) : PORTCO status select.

0 → PORTCO defined to normal IO.

1 → PORTCO defined to phase1 output, next figure show the relative of main CLK and Phase1 CLK.



The relative between main CLK and PH1 output

VII.10 Dual sets of PWM (Pulse Width Modulation)

(1) Overview

In PWM mode, both PWM1 and PWM2 pins produce up to a 10-bit resolution PWM output (see. Fig.17 for the functional block diagram). A PWM output has a period and a duty cycle, and it keeps the output in high. The baud rate of the PWM is the inverse of the period. Fig.18 depicts the relationships between a period and a duty cycle.

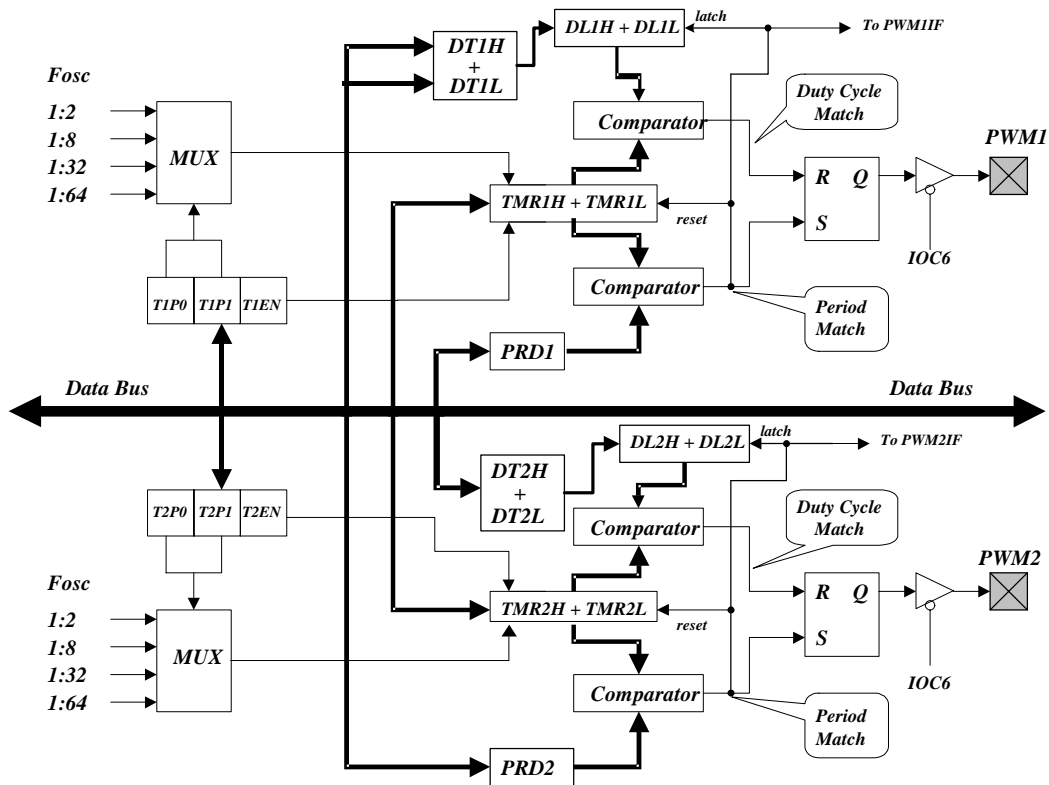


Fig.17 The Functional Block Diagram of the Dual PWMs

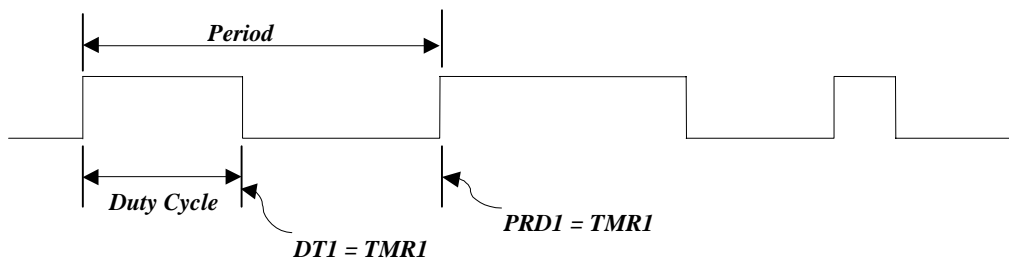


Fig.18 The Output Timing of the PWM

(2) Increment Timer Counter (TMRX: TMR1H/TWR1L or TMR2H/TWR2L)

TMRX are ten-bit clock counters with programmable prescalers. They are designed for the PWM module as baud rate clock generators. TMRX can be read, written, and cleared at any reset conditions. If employed, they can be turned down for power saving by setting T1EN bit [PWMCON<4>] or T2EN bit [PWMCON<5>] to 0.



(3) PWM Period (PRDX : PRD1 or PRD2)

The PWM period is defined by writing to the PRDX register. When TMRX is equal to PRDX, the following events occur on the next increment cycle:

- TMRX is cleared.
 - The PWMX pin is set to 1.
 - The PWM duty cycle is latched from DT1/DT2 to DTL1/DTL2.
- < Note > The PWM output will not be set, if the duty cycle is 0;
- The PWMXIF pin is set to 1.

The following formula describes how to calculate the PWM period:

$$\text{PERIOD} = (\text{PRDX} + 1) * 4 * (1/\text{Fosc}) * (\text{TMRX prescale value})$$

Where Fosc is system clock

(4) PWM Duty Cycle (DTX: DT1H/ DT1L and DT2H/ DT2L; DTL: DL1H/DL1L and DL2H/DL2L)

The PWM duty cycle is defined by writing to the DTX register, and is latched from DTX to DLX while TMRX is cleared. When DLX is equal to TMRX, the PWMX pin is cleared. DTX can be loaded at any time. However, it cannot be latched into DTL until the current value of DLX is equal to TMRX.

The following formula describes how to calculate the PWM duty cycle:

$$\text{Duty Cycle} = (\text{DTX}) * (1/\text{Fosc}) * (\text{TMRX prescale value})$$

(5) Comparator X

To change the output status while the match occurs, the TMRXIF flag will be set at the same time.

(6) PWM Programming Procedures/Steps

Load PRDX with the PWM period.

(1) Load DTX with the PWM Duty Cycle.

(2) Enable interrupt function by writing IOCF PAFE0, if required.

(3) Set PWMX pin to be output by writing a desired value to IOCC PAGE0.

(4) Load a desired value to R5 PAGE3 with TMRX prescaler value and enable both PWMX and TMRX.

(7) Timer

Timer1 (TMR1) and Timer2 (TMR2) (TMRX) are 10-bit clock counters with programmable prescalers, respectively. They are designed for the PWM module as baud rate clock generators. TMRX can be read, written, and cleared at any reset conditions.

The figure in the next page shows TMRX block diagram. Each signal and block are described as follows:

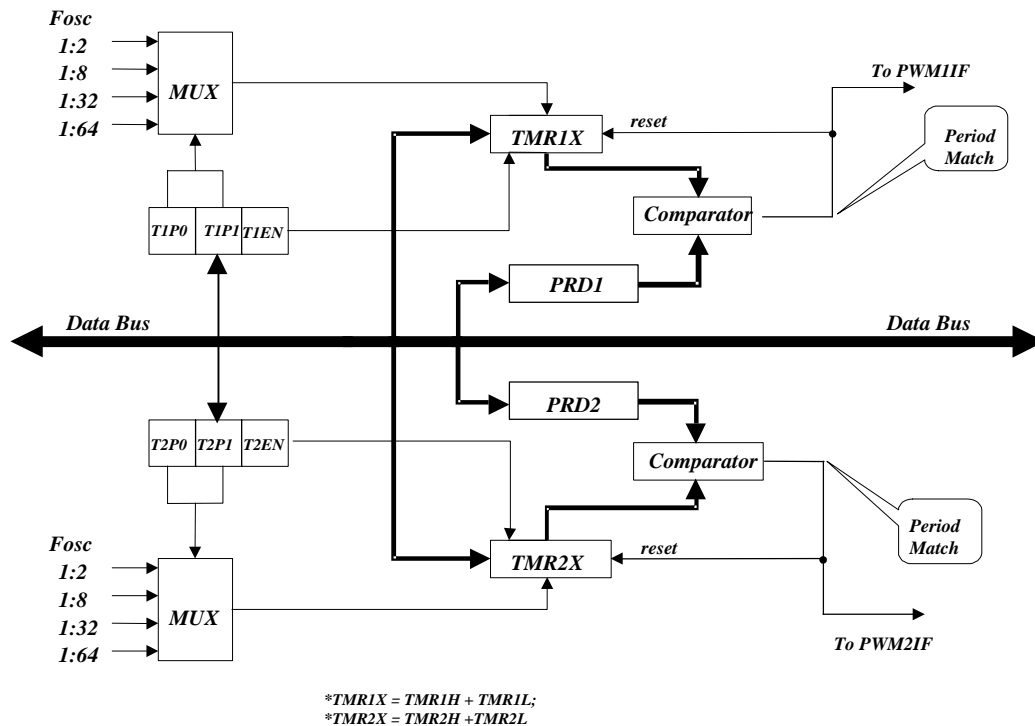


Fig.19 TMRX Block Diagram

- Fosc: Input clock.
- Prescaler (T1P0 and T1P1/T2P1 and T2P0): Options of 1:2, 1:8, 1:32, and 1:64 are defined by TMRX. It is cleared when any type of reset occurs.
- TMR1X and TMR2X (TMR1H/TMR1L and TMR2H/TMR2L):Timer X register; TMRX is increased until it matches with PRDX, and then is reset to 0. TMRX cannot be read.
- PRDX (PRD1 and PRD2): PWM period register.
- ComparatorX (Comparator 1 and Comparator 2): To reset TMRX while a match occurs and the TMRXIF flag is set at the same time.

When defining TMRX, refer to the related registers of its operation as shown in prescale register. It must be noted that the PWMX bits must be disabled if their related TMRXs are employed. That is, bit 7 and bit 6 of the PWMCON register must be set to '0'.

Related Control Registers(R5 PAGE3) of TMR1 and TMR2

Bit 7	Bit 6	Bit 5	Bit 4	Bit 3	Bit 2	Bit 1	Bit 0
PWM2E	PWM1E	T2EN	T1EN	T2P1	T2P0	T1P1	T1P0

Timer programming procedures/steps

- (1) Load PRDX with the TIMER period.
- (2) Enable interrupt function by writing IOCF PAGE0, if required
- (3) Load a desired value to PWMCON with the TMRX prescaler value and enable both TMRX and disable PWMX.



VIII. Absolute Operation Maximum Ratings

RATING	SYMBOL	VALUE	UNIT
DC SUPPLY VOLTAGE	VDD	-0.3 To 6	V
INPUT VOLTAGE	V _{in}	-0.5 to VDD +0.5	V
OPERATING TEMPERATURE RANGE	T _a	0 to 70	

IX. DC Electrical Characteristic

(T_a = 25°C, AVDD=VDD=5V±5%, VSS=0V)

Parameter	Symbol	Condition	Min	Typ	Max	Unit
Input leakage current for input pins	IIL1	VIN = VDD, VSS			±1	μA
Input leakage current for bi-directional pins	IIL2	VIN = VDD, VSS			±1	μA
Input high voltage	VIH		2.5			V
Input low voltage	VIL				0.8	V
Input high threshold voltage	VIHT	/RESET, TCC	2.0			V
Input low threshold voltage	VILT	/RESET, TCC			0.8	V
Clock input high voltage	VIHX	OSCI	3.5			V
Clock input low voltage	VILX	OSCI			1.5	V
Output high voltage for PORT5,B,C	VOH1	IOH = -6mA	2.4			V
Output high voltage for PORT6,8	VOH2	IOH = -10mA	2.4			V
Output high voltage for PORT7,9	VOH3	IOH = -20mA	2.4			V
Output low voltage for PORT5,B,C	VOL1	IOH = 6mA			0.4	V
Output low voltage for PORT6,8	VOL2	IOH = 10mA			0.4	V
Output low voltage for PORT7,9	VOL3	IOH = 20mA			0.4	V
LCD drive reference voltage	VLCD	VDD=5V, Contrast adjust		4 ~ 5		V
Data RAM retention voltage	VDR				1.2	V
Pull-high current	IPH	Pull-high active input pin at VSS		-10	-15	μA
Power down current (SLEEP mode)	ISB1	All input and I/O pin at VDD, output pin floating, WDT disabled		4	8	μA
Low clock current (GREEN mode)	ISB2	CLK=32.768KHz, All analog circuits disabled, All input and I/O pin at VDD, output pin floating, WDT disabled, LCD enabled		35	50	μA
Operating supply current (Normal mode)	ICC1	/RESET=High, CLK=3.582MHz, All analog circuits disabled, output pin floating		1	2	mA

* This specification is subject to be changed without notice.



XI. AC Electrical Characteristic

CPU instruction timing (Ta = 25°C, AVDD=VDD=5V, VSS=0V)

Parameter	Symbol	Condition	Min	Typ	Max	Unit
Input CLK duty cycle	Dclk		45	50	55	%
Instruction cycle time	Tins	32.768kHz		60		us
		3.582MHz		550		ns
Device delay hold time	Tdrh			16		ms
TCC input period	Ttcc	Note 1	(Tins+20)/N			ns
Watchdog timer period	Twdt	Ta = 25°C		16		ms
DAC output delay	Tda			50		uS

Note 1: N= selected prescaler ratio.

ADC characteristic (VDD = 5V, Ta = +25°C, for internal reference voltage)

Parameter	Symbol	Condition	Min	Typ	Max	Unit
Upper bound offset voltage	Vofh			44	52.8	mV
Lower bound offset voltage	Vofl			32	38.4	mV

*These parameters are characterized but not tested.

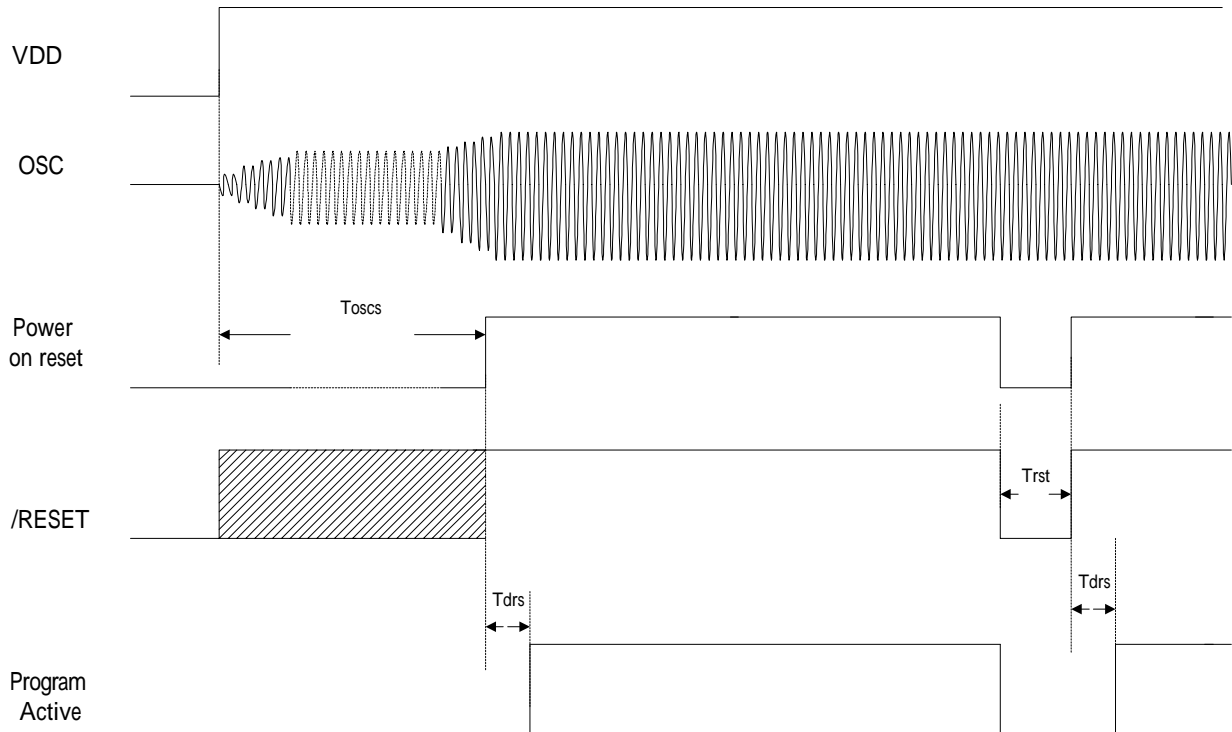
* About ADC characteristic, please refer to next page.

Timing characteristic (AVDD=VDD=5V, Ta=+25°C)

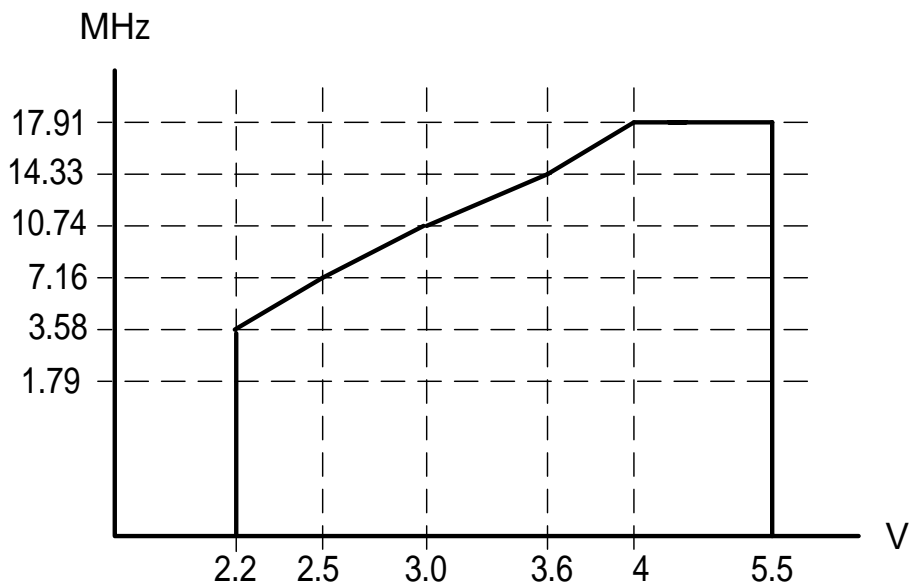
Description	Symbol	Min	Typ	Max	Unit
Oscillator timing characteristic					
OSC start up	32.768kHz	Toscs	400	1500	ms
	3.579MHz PLL		5	10	us
SPI timing characteristic (CPU clock 3.58MHz and Fsc0 = 3.58Mhz /2)					
/SS set-up time	Tcss	560			ns
/SS hold time	Tcsh	250			
SCLK high time	Thi	250			ns
SCLK low time	Tlo	250			ns
SCLK rising time	Tr		15	30	ns
SCLK falling time	Tf		15	30	ns
SDI set-up time to the reading edge of SCLK	Tisu	25			ns
SDI hold time to the reading edge of SCLK	Tihd	25			ns
SDO disable time	Tdis			560	ns
Timing characteristic of reset					
The minimum width of reset low pulse	Trst	3			uS
The delay between reset and program start	Tdrs		18		mS

Embedded LCD driver

Symbol	Parameter	Condition	Min	Typ	Max	Unit
Ron	LCD driver ON resistance	LCD function enable		2	4	kΩ
Frame	LCD frame frequency	1/2 , 1/4 duty		64		Hz



EM78P569 operation voltage(X axis → min VDD ; Y axis → main CLK):



* This specification is subject to be changed without notice.

EM78569 10 bit ADC characteristic

EM78569 build in 10 bit resolution, multi channel ADC function. In ideal, if ADC's reference voltage is 5V, the ADC's LSB will be 5V/1024. But in practical, for some physics or circuit's character, some un-ideal will effect the converter result. As the next figure, offset voltage will reduce AD's converter range. If AD's input voltage less than VOFL, ADC will output 0; in opposition, if input voltage is larger than (VDD-VOFH), ADC will output 1023. That is to say the physics AD converter range will replace by (VDD-VOFH+LSB-VOFL+LSB). If we defined that VRB = VOFL - LSB and VRT = VDD-VOFH+LSB, the physics LSB is:

$$\begin{aligned} \text{LSB} &= (\text{VRT} - \text{VRB}) / 1024 \\ &= (\text{VDD} - (\text{VOFH} + \text{VOFL})) / 1022 \end{aligned}$$

For real operating, please think about the effect of AD's offset voltage. If converter the range of (VRT - VRB), the AD converter's opposite result will be précised.

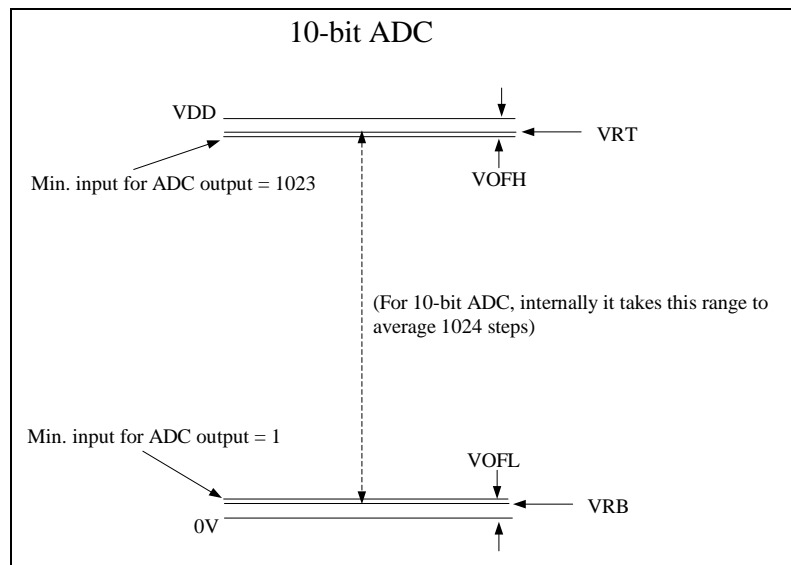
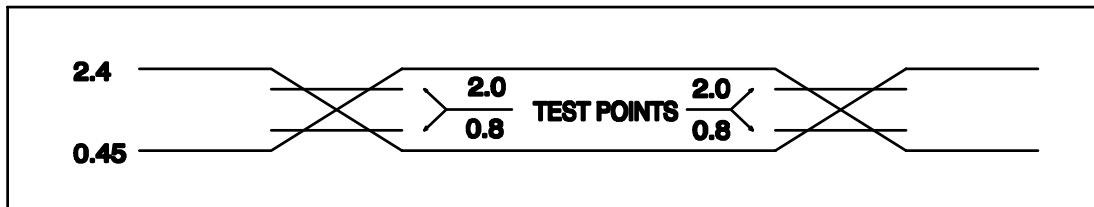


Fig.20 The relative between ADC and offset voltage

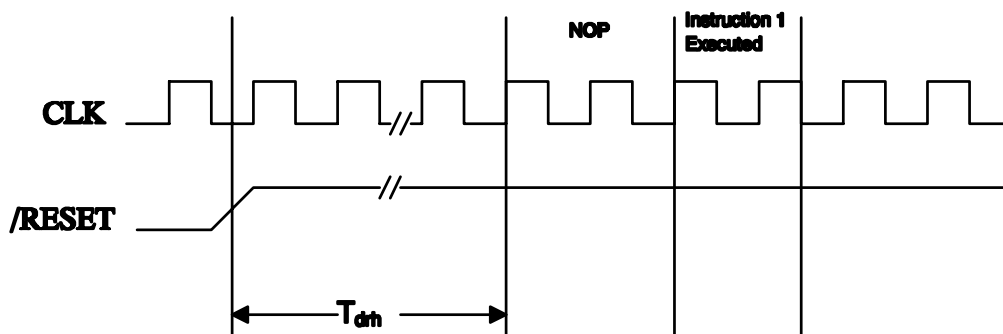
XII. Timing Diagrams

AC Test Input/Output Waveform



AC Testing: Input are driven at 2.4V for logic "1", and 0.45V for logic "0". Timing measurements are made at 2.0V for logic "1", and 0.8V for logic "0".

RESET Timing



TCC Input Timing

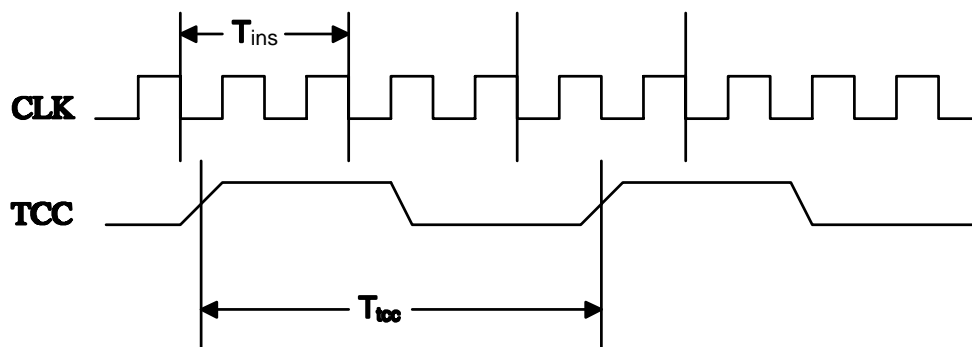


Fig.21 AC timing



XIII. Appendix

Function control list:

- ADC

- ADRES → R7 page1 bit2
- AD8~AD9 → R7 page1 bit4~bit5
- AD0~AD7 → RB page1
- AD/IO pin select → IOC6 page1 bit0~bit6
- AD power control → IOCB page1

- DAC

- DA8~DA9 → R5 page1 bit6~bit7
- DARES → R7 page1 bit3
- DA0~DA7 → RA page1 bit0~bit7
- DAST → IOCA page1 bit3
- DAREF → IOCA page1 bit6

- SPI

- SPI control → R5 page2
- SPI data → R6 page2

- LCD driver

- LCD address → R5 page1 bit0~3
- LCD data → R6 page1
- LCD mode select → RD page0 bit0~bit2
- LCD bias → IOC5 page0 bit0~bit3
- LCD io/seg pin select → IOC9 page1, IOCC page1

- PWM

- PWM control → R5 page3
- PWM1 duty control bit0~bit7 → R6 page3
- PWM1 duty control bit8~bit9 → R7 page3 bit0~bit1
- PWM1 period control → R8 page3
- PWM2 duty control bit0~bit7 → R9 page3
- PWM2 duty control bit8~bit9 → RA page3 bit0~bit1
- PWM1 period control → RB page3

- Data RAM access

- VERSEL = 0:**

- RAM bank → R7 page1 bit0~bit1
- RAM address → R8 page1
- RAM data → R9 page1

- VERSEL = 1:**

- RAM bank → R7 page1 bit0~bit1
- RAM address → RB page2
- RAM data → R9 page1



- Multiplier

- Multiplier control → RA page2
- Multiplication X → ACC
- Multiplication Y → RB page2
- Multiplication Result 0~7 → RC page2
- Multiplication Result 8~15 → RD page2
- Multiplication Result 16~23 → RE page2

****Multiplier instruction is “INT A”**