

AN5650

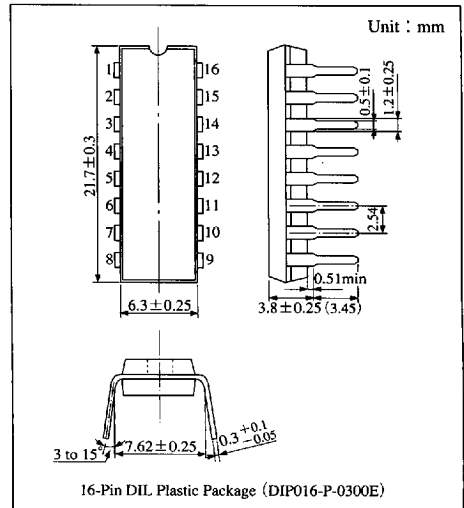
Synchronous Signal Processing IC for Color TV

Overview

The AN5650 is an integrated circuit designed for color TV synchronous signal processing circuit.

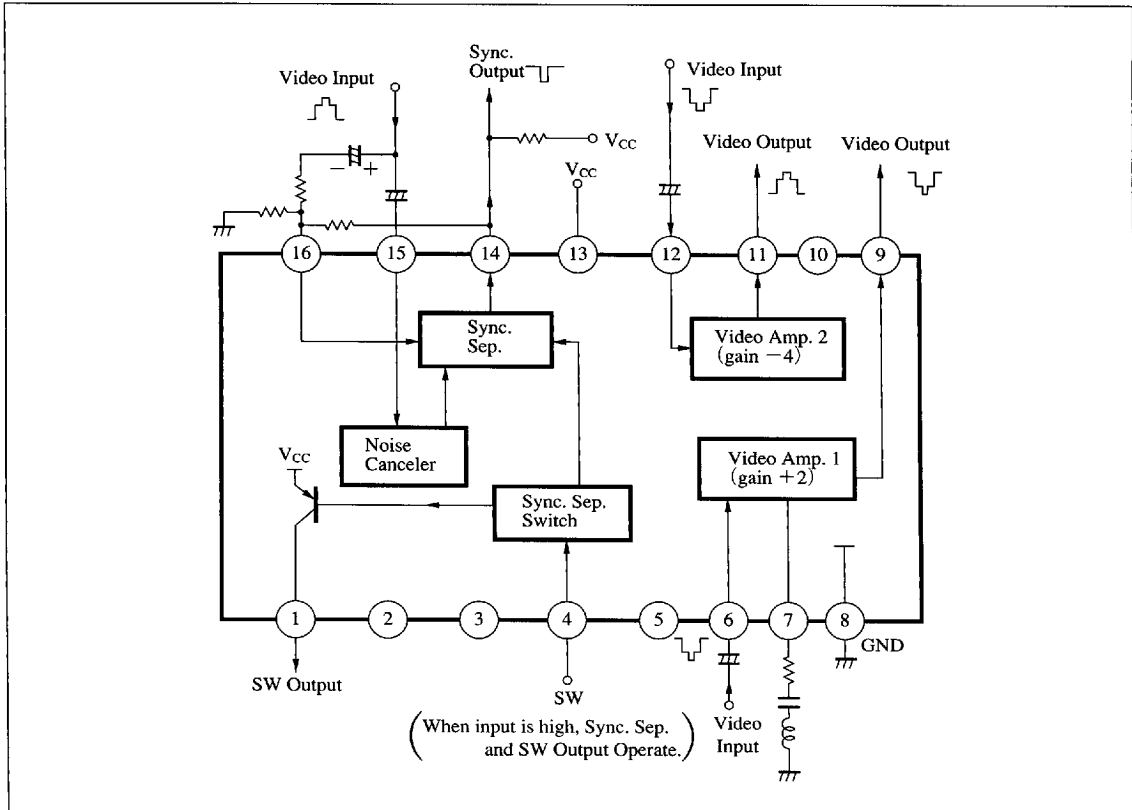
Features

- Built-in video-signal amplifier circuit.
- Highly stable sync. separation circuit against noise.
- Built-in synchronous signal output-switching circuit.



ICs for TV

Block Diagram



6932852 0014394 T93

Panasonic