

Under Development

Square type Optical Fiber Transmitter / Receiver Unit for 3V Operation and Double Speed

[GP1FA313TZ/RZ, GP1FA352TZ/RZ]

Features

- Double speed for high quality audio signal I/O (Data rate: MAX. 15.5 Mbps)
- Low voltage operation (V_{CC} =2.7 to 3.6V)
- Low current consumption

Applications

- DVD player
- AV amplifier

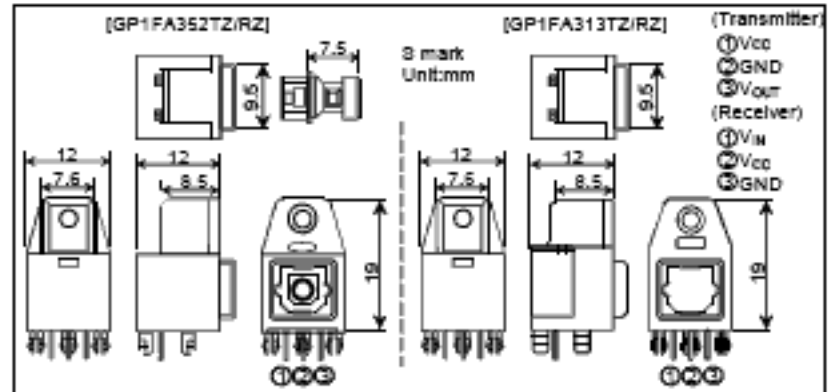
Development of Square type optical fiber for double speed



Specifications

Transmitter			Receiver		
Parameter	Symbol	Characteristics	Parameter	Symbol	Characteristics
Operating supply voltage	V_{CC}	2.7 to 3.6 V	Operating supply voltage	V_{CC}	2.7 to 3.6 V
Consumption current	I_{CC}	MAX. 12 mA	Consumption current	I_{CC}	MAX. 15 mA
Peak emission wavelength	λ_p	TYP. 680 nm	Minimum input optical level	P_{MIN}	MAX. -27 dBm
Optical output coupling loss	P_c	MIN. -21 dBm	Data rate	f	MAX. 15.5 Mbps
Data rate	f	MAX. 15.5 Mbps	Jitter	j	TYP. 1 ns
Jitter	j	TYP. 1 ns	Operating temperature	T_{op}	-20 to +70 °C
Operating temperature	T_{op}	-20 to +70 °C			

Outline dimensions



Line-up of Square type Optical fiber unit

