

**6-Ch Audio Selector****PT2323**

## DESCRIPTION

PT2323 is a 6-Channel Audio Selector utilizing CMOS Technology specially designed for Home Theater System. It provides a built-in 2-Channel to 6-Channel Translator, which can directly mix traditional stereo channel to simulate a 6-Channel audio output. Single power supply (9V), I<sup>2</sup>C Bus Interface as well as very low Total Harmonic Distortion (THD < 0.005%) and other features are incorporated into a single chip thereby providing very high performance. Pin assignments and application circuit are optimized for easy PCB layout and cost saving advantages.

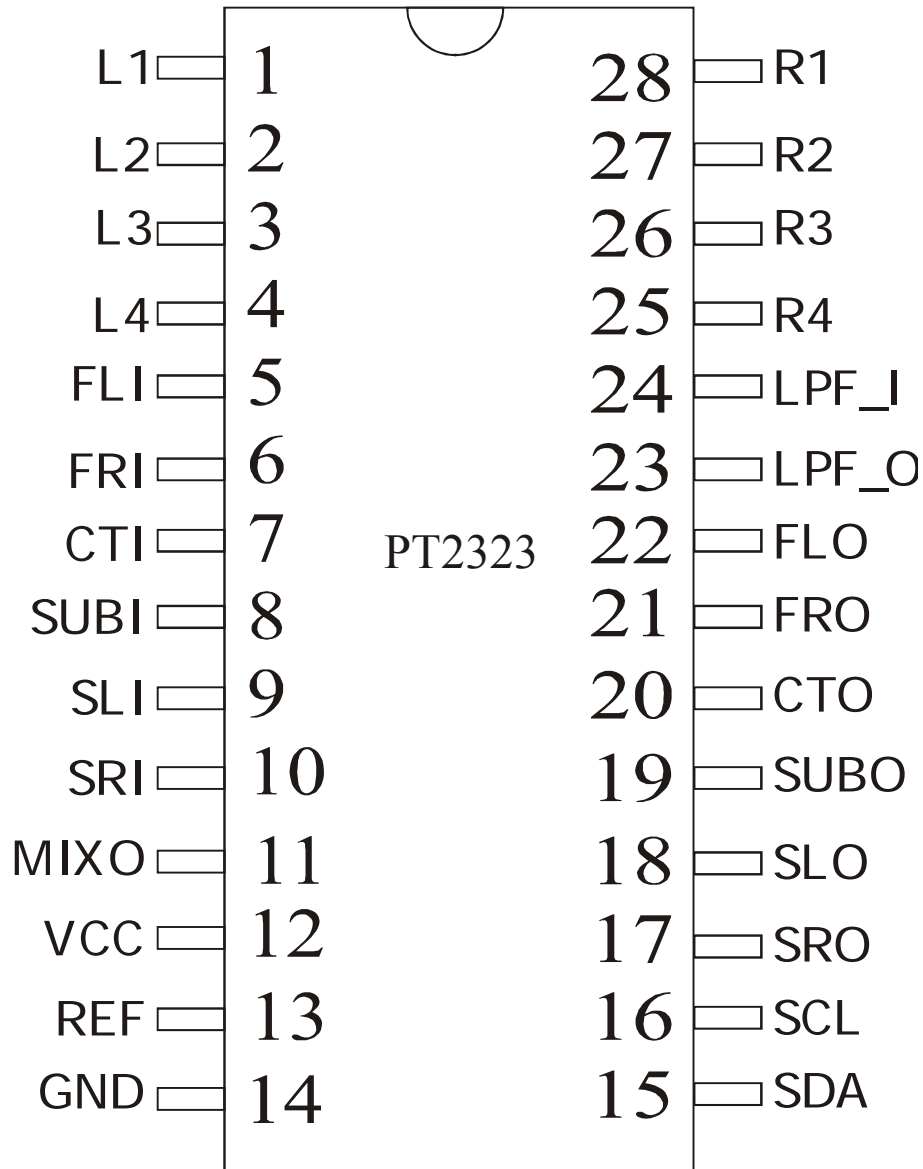
## FEATURES

- Supply Voltage: 9V
- 4 Stereo Inputs
- One 6-Channel Input
- Maximum Input Voltage: 3.75Vrms (1kHz, THD<1%)
- Low Total Harmonic Distortion, THD<0.005% (1kHz, 0.2Vrms)
- Low Noise: No<4 $\mu$ Vrms
- I<sup>2</sup>C Bus Interface
- Available in 28 Pins, DIP or SOP Package

## APPLICATIONS

- AV System
- Mini Compo
- Car Stereo
- Multi-Media Audio Systems

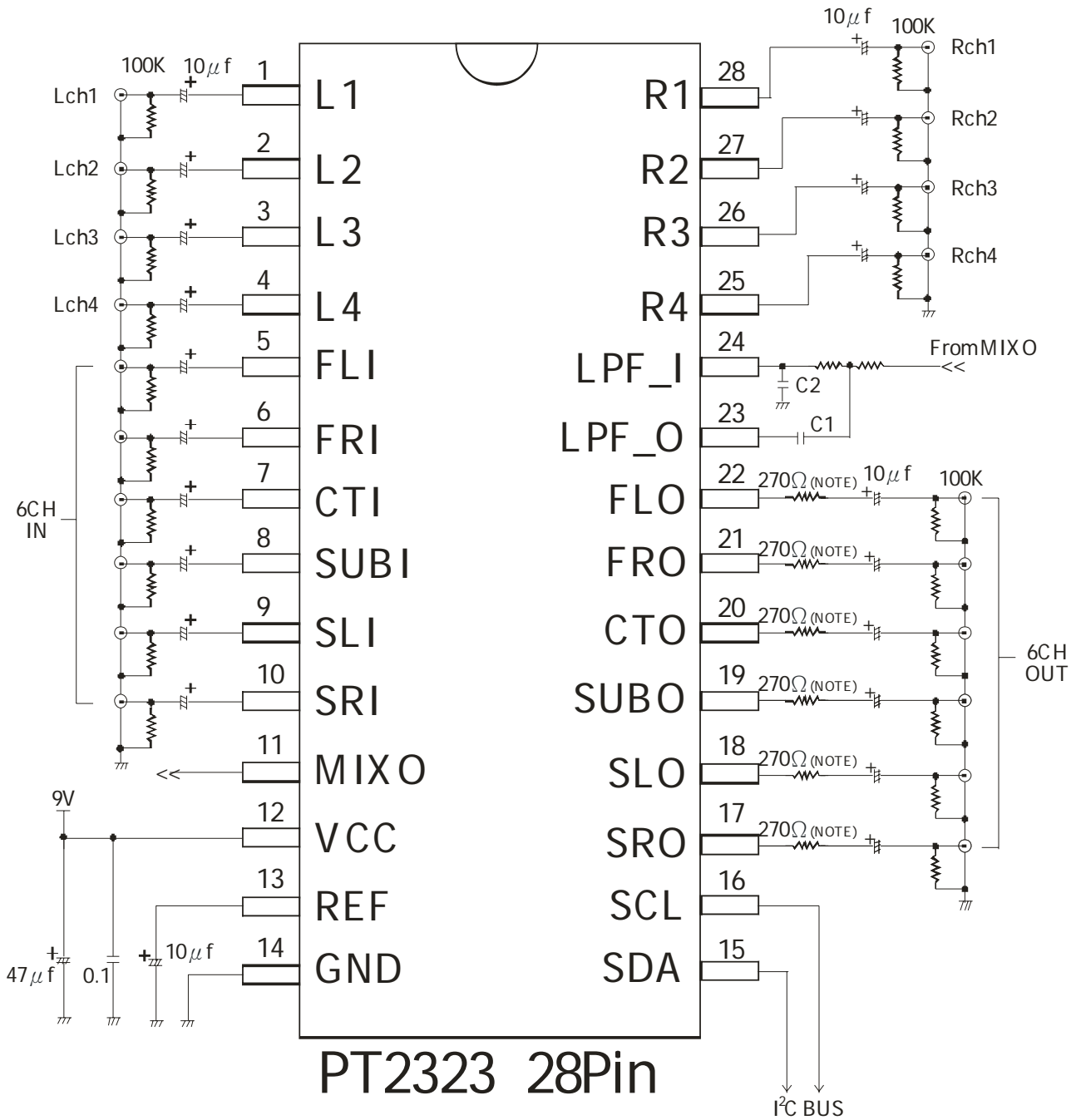
## PIN CONFIGURATION



**6-Ch Audio Selector**

**PT2323**

**APPLICATION CIRCUIT**



Note: \* = An external resistor (R=270Ω) must be connected in series to each of the output pins (FLO, FRO, CTO, SUBO, SLO, SRO) and must be as close as possible to the PT2323 chip.

## ORDER INFORMATION

<b>Valid Part Number</b>	<b>Package Type</b>	<b>Top Code</b>
PT2323	28 PINS, DI Package (600 mil)	PT2323
PT2323-S	28 PINS, SO Package (330 mil)	PT2323-S