

SANYO**STK4274**

Thick Film Hybrid IC

Current Amp

TENTATIVE

Case Outline : 15 pins (See attached case outline drawing.)

Function : Current amp

Use : Video projectors

Feature : 2 channels/1 package for convergence use

Absolute Maximum Ratings at $T_a = 25^\circ\text{C}$

				unit
Maximum Supply Voltage	V_{CC}	Note 1	± 38	V
Maximum Collector Current	I_c	Tr6,13 DC 1sec	+2.0	A
		Tr7,14 DC 1sec	-2.0	A
Thermal Resistance	θ_{j-c}	Tr6,7,13,14 (Per power Tr)	3.0	$^\circ\text{C}/\text{W}$
Junction Temperature	T_j		150	$^\circ\text{C}$
Operating Case Temperature	T_c		105	$^\circ\text{C}$
Storage Temperature	T_{stg}		-30 to +105	$^\circ\text{C}$

Note 1. If the supply voltage is not balanced between $+V_{CC}$ and $-V_{CC}$, the maximum rating of $+V_{CC} - (-V_{CC})$ must be 76V. Further, $|\pm V_{CC} \text{ max}| < 42.5\text{V}$ must be met.

Operating Characteristics at $T_a = 25^\circ\text{C}$, $R_g = 50\Omega$, See attached Test Circuit.

			min	typ	max	unit
Output Noise Voltage	V_{NO}	$V_{CC} = \pm 24\text{V}$			0.2	mVrms
Quiescent Current	I_{cco}	$V_{CC} = \pm 24\text{V}$		15	25	mA
Midpoint Voltage	V_N	$V_{CC} = \pm 24\text{V}$	-50	0	+50	mV
Output Delay Time	t_D	$V_{CC} = \pm 20.5\text{V}$, $f = 15.75\text{kHz}$, triangular wave input $V_{P-P} = 1.5\text{V}$			1	μsec

Remarks

- For power supply at the time of test, use a constant-voltage power supply unless otherwise specified.
- The output noise voltage is represented by the peak value on rms scale (VTVM) of average value indicating type.

The application circuit diagrams and circuit constants herein are included as an example and provide no guarantee for designing equipment to be mass-produced. The information herein is believed to be accurate and reliable. However, no responsibility is assumed by SANYO for its use, nor for any infringements of patents or other rights of third parties which may result from its use.

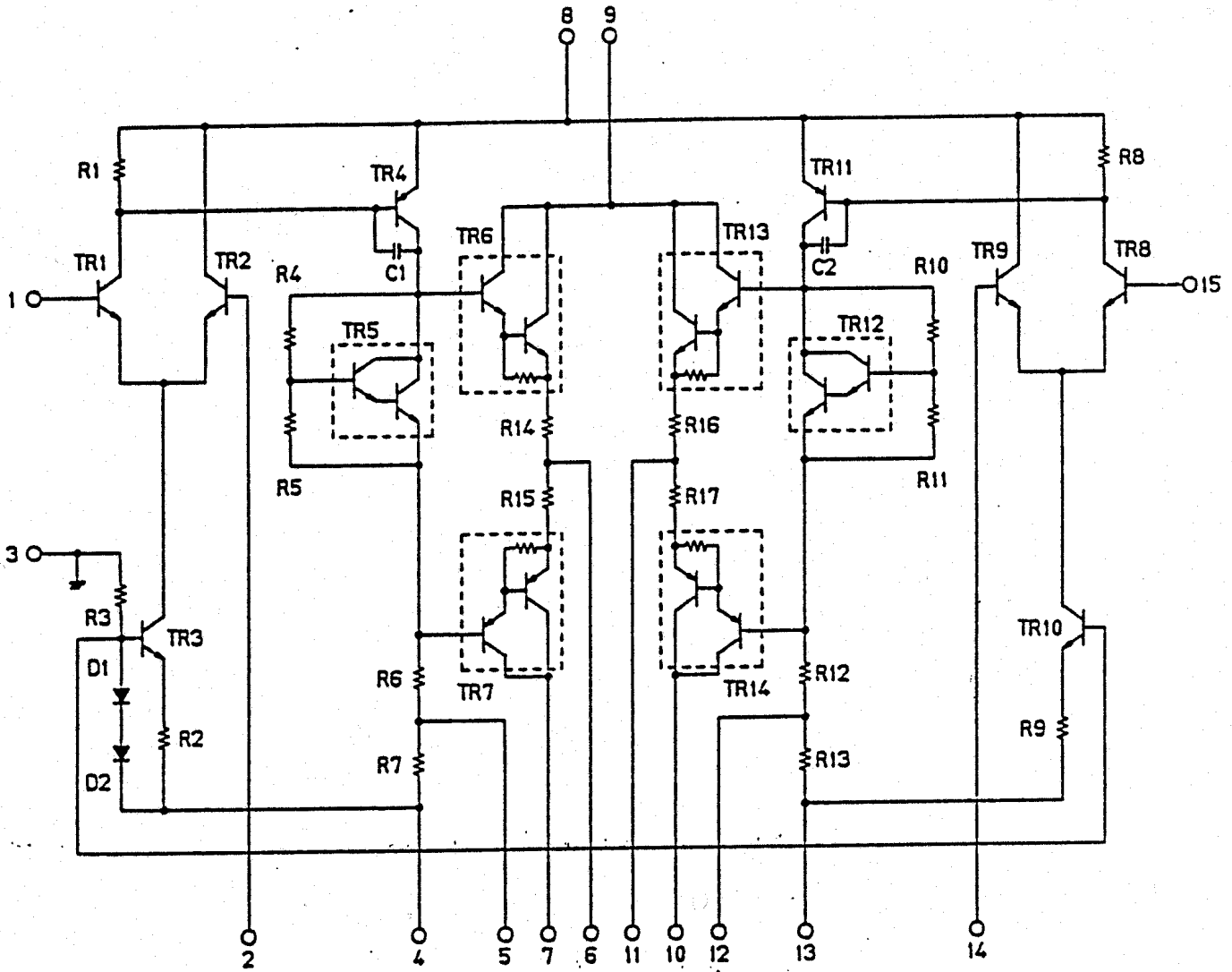
Specifications and information herein are subject to change without notice.

SANYO Electric Co., Ltd. Semiconductor Overseas Marketing Div.
 Natsume Bldg., 18-6, 2-chome, Yushima, Bunkyo-ku, TOKYO 113 JAPAN.

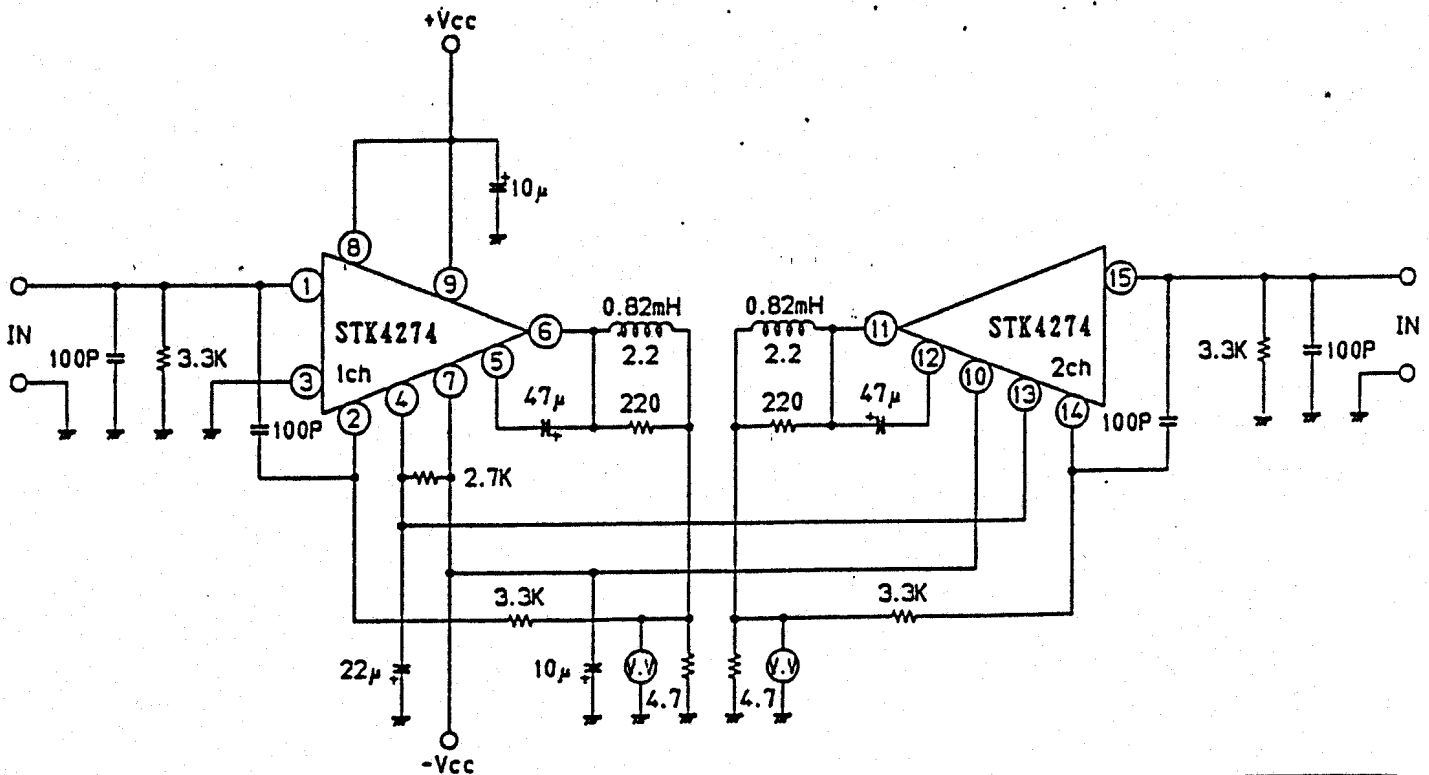
7039YT, TS STK4274-1/8

STK4274

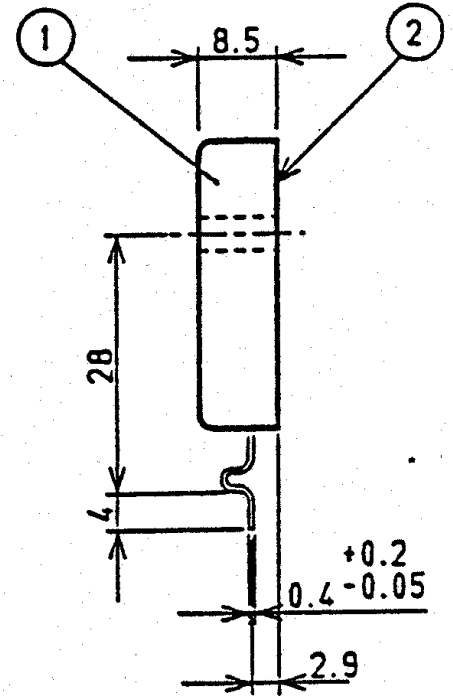
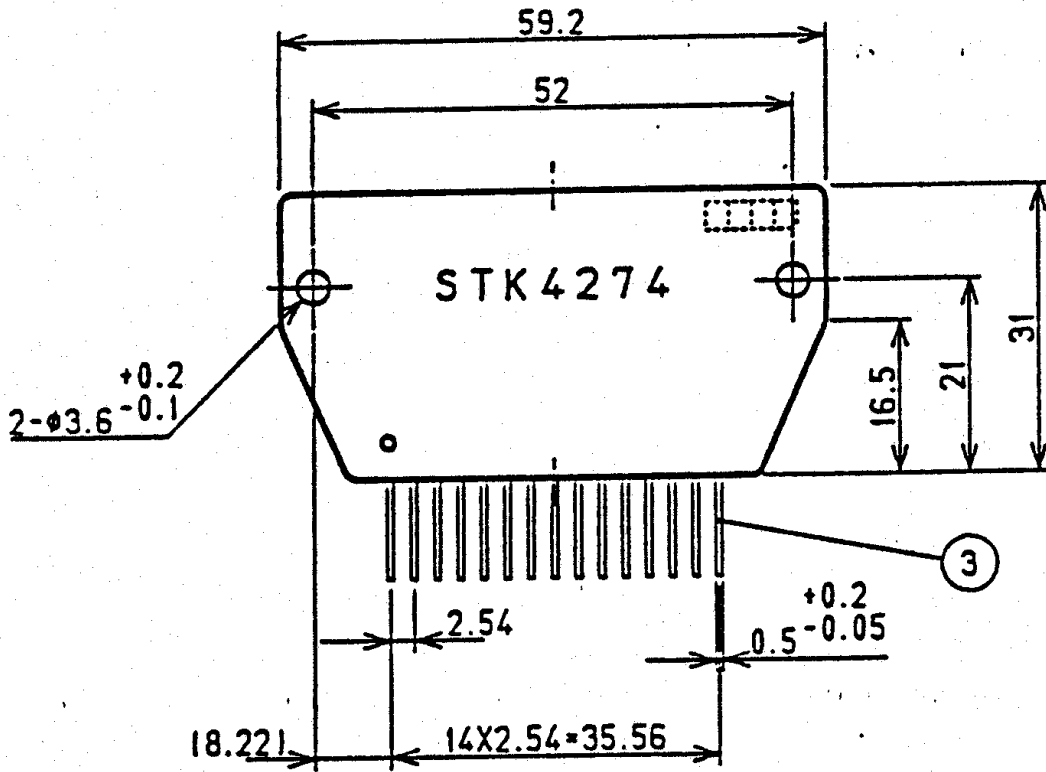
Internal Equivalent Circuit (STK4274)



Test Circuit (STK4274)

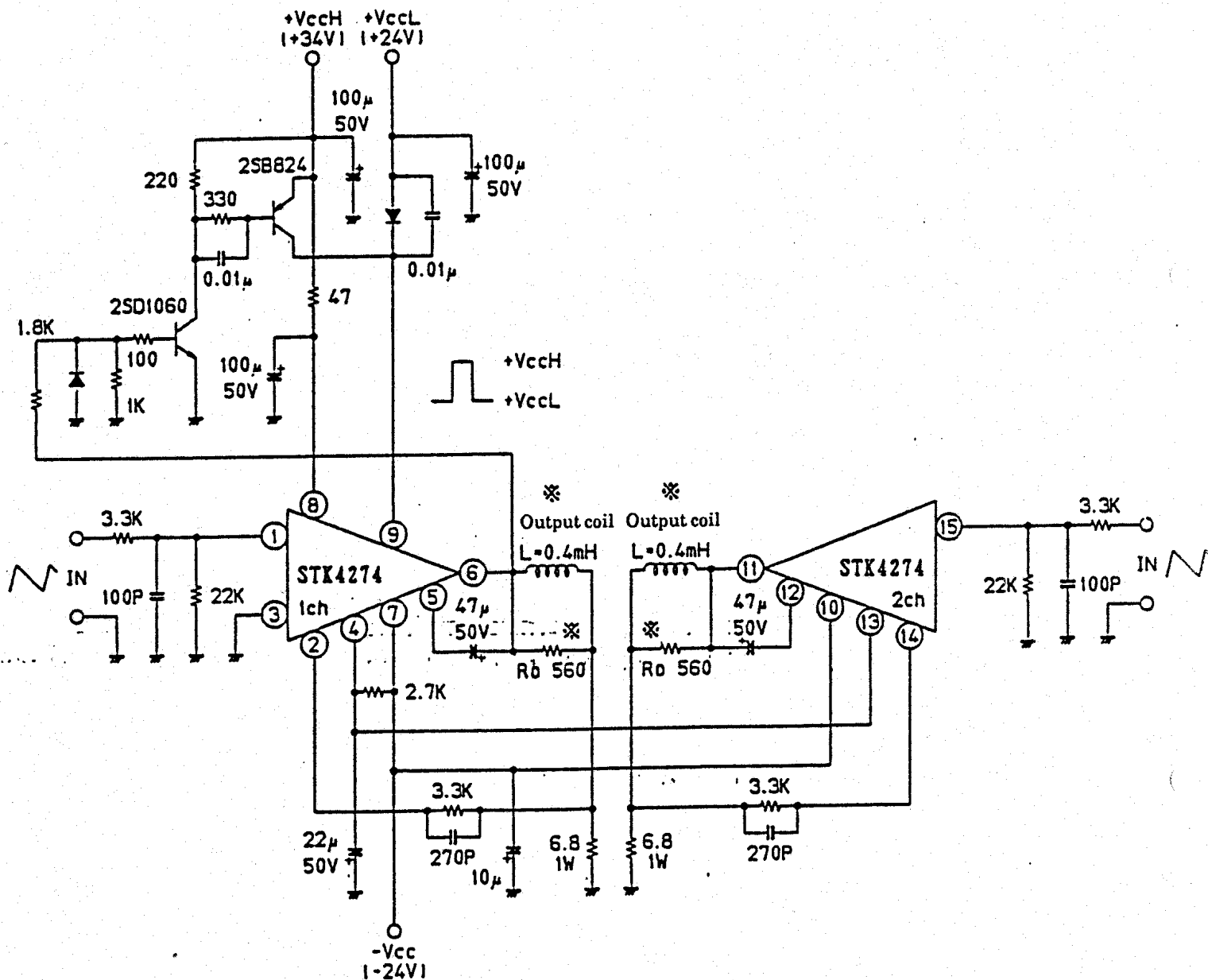


Case Outline (unit : mm)



Sample Application Circuit (STK4274)

Video projector convergence correction circuit
 fH = 15.75kHz
 Sample application to power supply selector



Design notes

1. Avoid pin-to-pin short, otherwise the IC will break down.
2. For mark ※, the constant is specified (tolerance ±10%). If you want to change the constant, consult us.