



LB1978V

Three-Phase Half-Wave Sensorless Motor Driver for Headphone Stereos

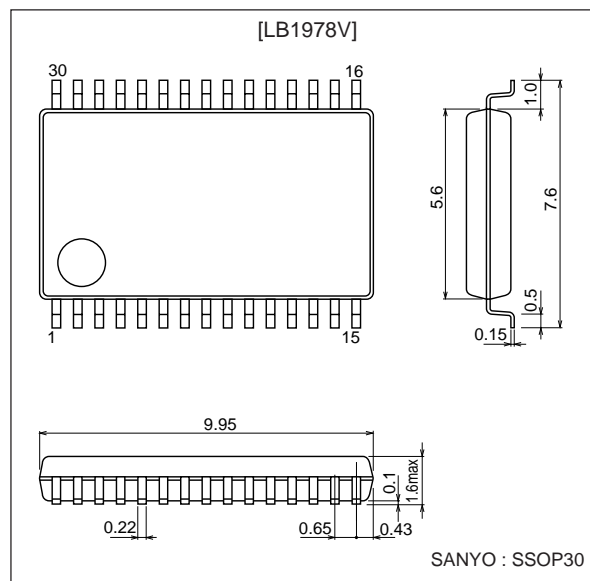
Functions and Features

- Three-phase sensorless motor driver
- Built-in speed control
- Built-in reference voltage and forward/reverse switching pin
- Soft switching
- Built-in short brake drive pin

Package Dimensions

unit: mm

3191-SSOP30



Specifications

Absolute Maximum Ratings at $T_a = 25^\circ\text{C}$

Parameter	Symbol	Conditions	Ratings	Unit
Maximum supply voltage	$V_{cc\ max}$		2.0	V
Output transistor withstand voltage	V_{sus}		4	V
Maximum output current	$I_o\ max$		0.6	A
Allowable power dissipation	$P_d\ max$	$T_j = 125^\circ\text{C}$	0.4	W
Operating temperature	T_{opr}		0 to 60	$^\circ\text{C}$
Storage temperature	T_{stg}		-40 to +125	$^\circ\text{C}$

Allowable Operating Ranges at $T_a = 25^\circ\text{C}$

Parameter	Symbol	Conditions	Ratings	Unit
Power supply voltage	V_{cc}		1.0 to 1.7	V

- Any and all SANYO products described or contained herein do not have specifications that can handle applications that require extremely high levels of reliability, such as life-support systems, aircraft's control systems, or other applications whose failure can be reasonably expected to result in serious physical and/or material damage. Consult with your SANYO representative nearest you before using any SANYO products described or contained herein in such applications.
- SANYO assumes no responsibility for equipment failures that result from using products at values that exceed, even momentarily, rated values (such as maximum ratings, operating condition ranges, or other parameters) listed in products specifications of any and all SANYO products described or contained herein.

LB1978V

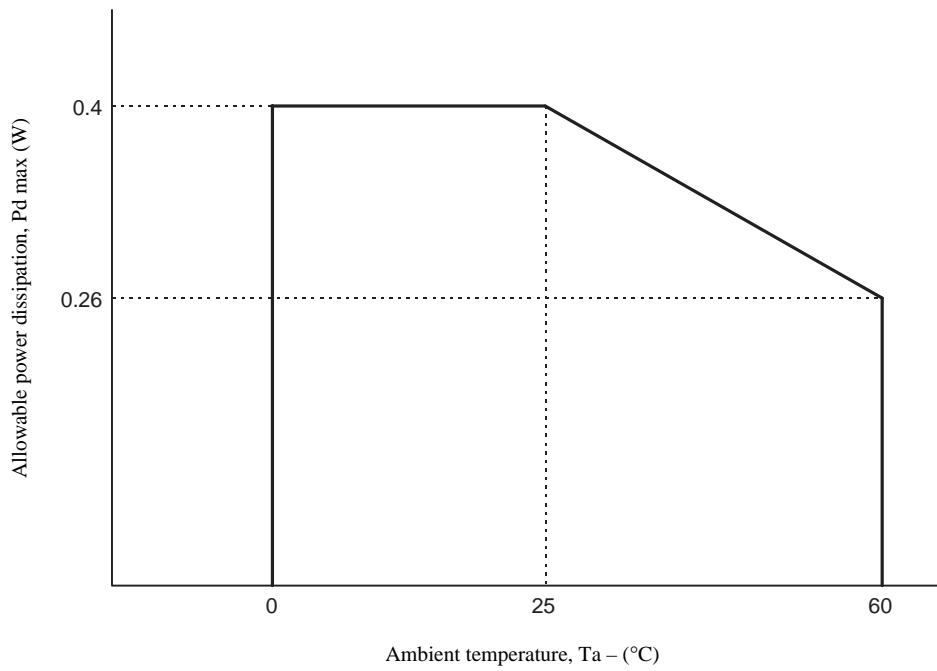
Electrical Characteristics at Ta = 25°C, Vcc = 1.2V, in the specified test circuit

Parameter	Symbol	Conditions	Ratings			Unit
			min	typ	max	
Power supply current	I _{cc}	START pin H, R _{IRF} = 180 kΩ		6.8	10	mA
		START pin L, V _{BR} = 0V		0	10	μA
Reference voltage	V _{ref}		0.725	0.755	0.785	V
Reference voltage characteristics	$\frac{\Delta V_{ref}}{\Delta I_{ref}} / \Delta V_{cc}$	V _{cc} = 1.0 to 1.7V		1.0	2.0	%/V
Reference voltage load characteristics	$\frac{\Delta V_{ref}}{\Delta I_{ref}}$	I _{ref} = 0 to -50 μA	-0.2	-0.06		mV/μA
Oscillator cycle	T _S	C _S = 1500 pF	0.52	0.6	0.68	ms
Rotation switching load characteristics	T _{F/S}	C _S = 1500 pF, R _{IRF} = 180 kΩ *Target	7.70		10.9	ms
Rotation detection accuracy	NF/S	T _S = 0.60 ms *Target	-16		+16	%
COM voltage	V _{COM-}	R _{COM} = 1 kΩ	12	25	38	mV
F side output saturation voltage	V _{sat1}	V _{cc} = 1.0V, I _m = 0.3A		0.17	0.30	V
S side output saturation voltage	V _{sat2}	V _{cc} = 1.0V, I _m = 0.2A		0.12	0.25	V
S/S pin input High level voltage	V _{SSH}		0.9			V
S/S pin input Low level voltage	V _{SSL}				0.3	V
F/S DR pin ON voltage	V _{Lon}				0.2	V
F/S DR pin OFF voltage	V _{Loff}		V _{cc} -0.3			V
TC pin pull-in voltage	V _{TC1}	F/S = H	80	110	150	mV
		F/S = L	160	220	300	mV
BR1 ON voltage	V _{BRon}		0.9			V
BR1 OFF voltage	V _{BRoff}				0.3	V
BRsat voltage	V _{BRsat}	I _o = 6 mA, V _{BR1} = 1.2V		0.15	0.3	V
CI rise voltage	V _{CI}		0.620	0.650	0.680	V
CI hysteresis width	ΔV _{CI}		60	80	100	mV
IRF voltage	V _{IRF}	R _{IRF} = 180 kΩ	0.725	0.755	0.785	V
VI output current	I _{VI}	V _{VI} = 0.3V, V _{IV} = GND	26	30	34	μA
PV pin voltage	V _{PV}		0.720	0.755	0.785	V
ΔI _{FC} /ΔV _{VI} ratio	ΔI _{FC} /ΔV _{VI}		150	210	250	μA/V
Output transistor OFF voltage	V _{OUT OFF}		V _{cc} -0.3			V
Output transistor ON voltage	V _{OUT ON}				0.3	V

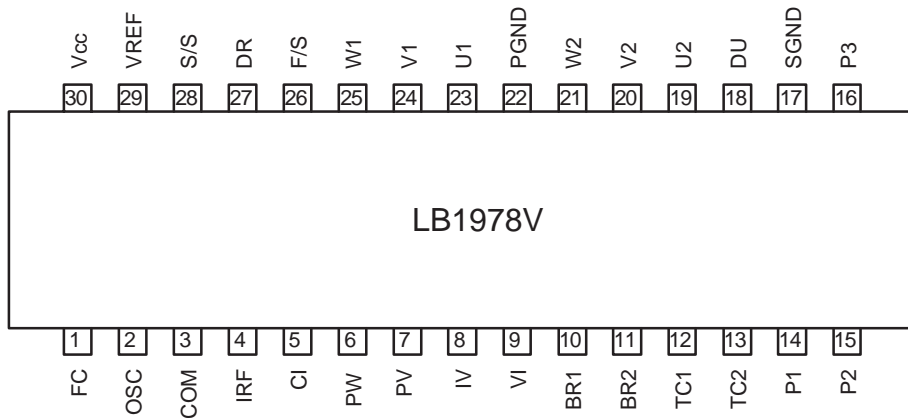
Note: Items shown to be "Target" are not measured.

LB1978V

Pd max – Ta



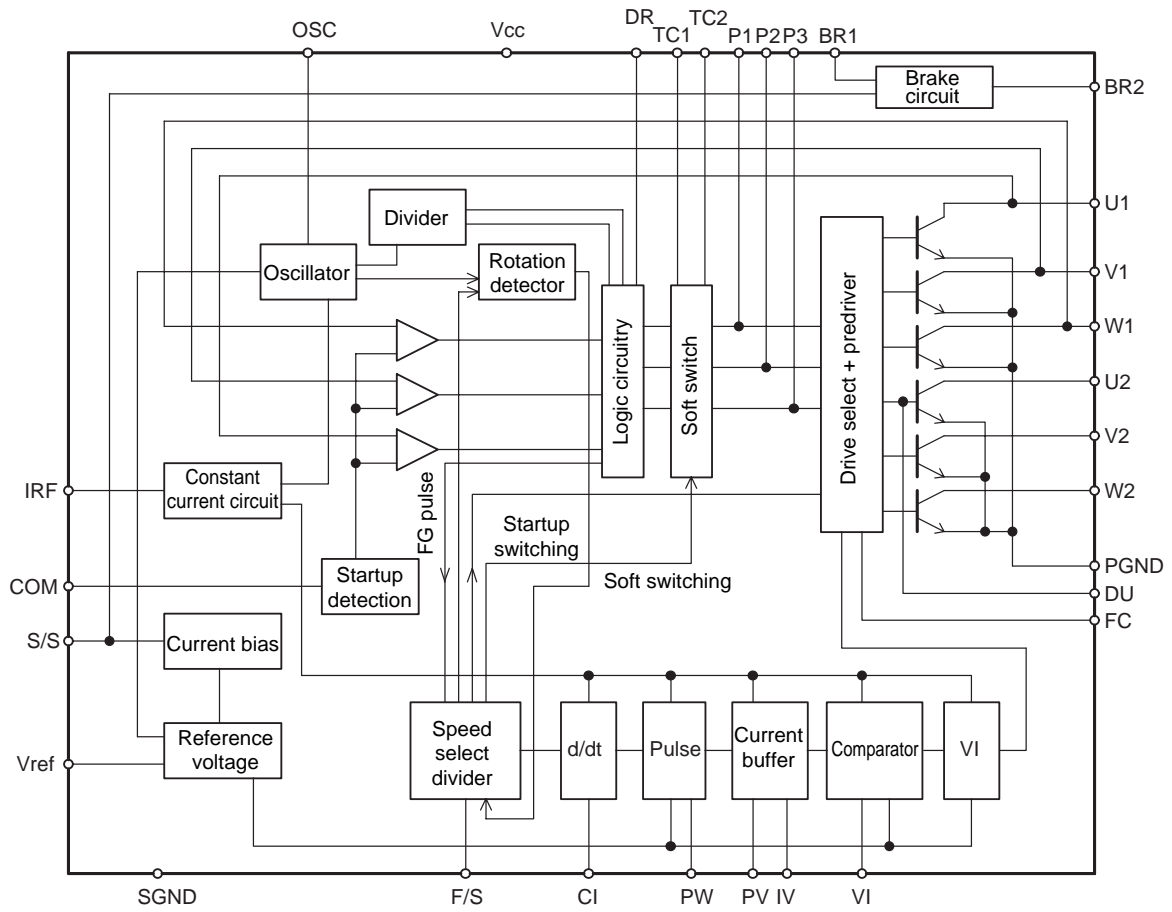
Pin Assignment



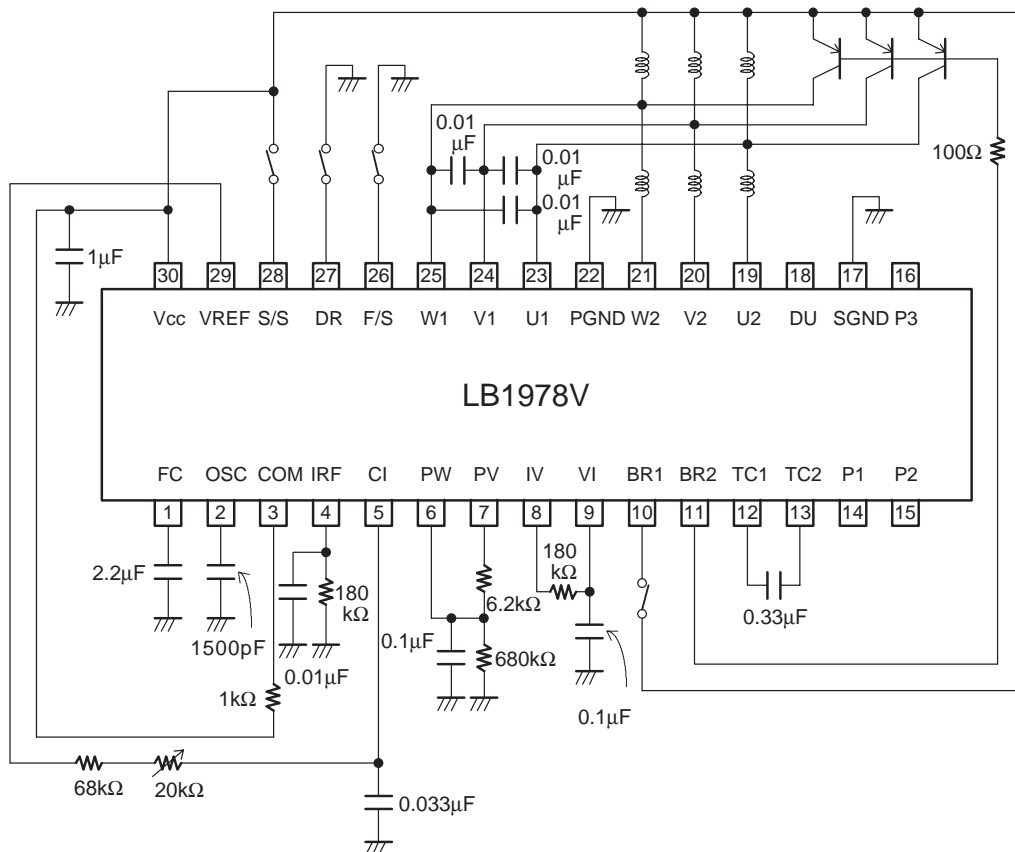
Top view

LB1978V

Equivalent Circuit Block Diagram



Sample Application Circuit



LB1978V

Pin Description

Pin number	Pin name	Equivalent circuit	Pin function
1	FC		<p>Oscillator and ripple suppression pin.</p> <p>The higher the capacitance connected to FG, the more effectively will ripple components be suppressed.</p>
2	OSC		<p>Startup pulse cycle and drive switching cycle setting pin.</p> <p>Increased capacitance will result in higher startup pulse cycle and drive switching cycle.</p>
3	COM		<p>Startup waveform detector offset setting pin.</p> <p>$R_{COM} = 1\text{ k}\Omega$ results in approx. 25 mV offset at startup</p>
4	IRF		<p>Oscillator circuit and F-V servo circuit internal current setting pin.</p>
5	CI		<p>Speed adjustment pin using CR oscillation based on FG pulse edge detection.</p>

Continued on next page

LB1978V

Continued from preceding page

Pin number	Pin name	Equivalent circuit	Pin function
6	PW		CI pin waveform and reference voltage comparator output pin.
7	PV		Current buffer input/output pin.
8	IV		Current-to-voltage converter comparator input pin.
9	VI		Voltage-to-current converter input pin. Speed increases when VI pin voltage is higher than reference voltage and decreases when VI pin voltage is lower than reference voltage.
10	BRI		Brake bias pin. When S/S pin is Low and BR1 pin is 0.9V or higher, brake drive pin BR2 goes ON.

Continued on next page

LB1978V

Continued from preceding page

Pin number	Pin name	Equivalent circuit	Pin function
11	BR2		<p>Brake drive pin.</p> <p>When S/S pin is Low and BR1 pin is 0.9V or higher, brake drive is activated. This is an open-collector output.</p>
12 13	TC1 TC2		<p>Motor current rise/fall slope setting pins.</p> <p>Setting value changes depending on the High or Low status of the F/S pin.</p>
14 15 16	P1 P2 P3		<p>Internal operation measurement pins which shape the current waveform. Must be left open for use.</p>
17	SGND		<p>Signal ground pin. Separate from power supply ground.</p>
18 19 20 21	DU U2 V2 W2		<p>DU is base pin for U low-speed output transistor.</p> <p>U2, V2, and W2 are pins for connection to low-speed motor coils.</p>
22	PGND		<p>Power supply ground.</p>

Continued on next page

LB1978V

Continued from preceding page

Pin number	Pin name	Equivalent circuit	Pin function
23 24 25	U1 V1 W1		U1, V1, and W1 are pins for connection to high-speed motor coils.
26	F/S		High-speed/low-speed mode select pin. Vcc -1.0V or lower: high-speed (fast) Vcc -0.3V or higher: low-speed (slow)
27	DR		Rotation direction select pin. Vcc -0.3V or higher: phase sequence U -> V -> W Vcc -1.0V or lower: phase sequence U -> W -> V
28	S/S		Start/stop pin. 0.9V or higher: Start High active.
29	Vref		Reference voltage pin. Reference voltage is 0.75V.
30	Vcc		Power supply pin.

- Specifications of any and all SANYO products described or contained herein stipulate the performance, characteristics, and functions of the described products in the independent state, and are not guarantees of the performance, characteristics, and functions of the described products as mounted in the customer's products or equipment. To verify symptoms and states that cannot be evaluated in an independent device, the customer should always evaluate and test devices mounted in the customer's products or equipment.
- SANYO Electric Co., Ltd. strives to supply high-quality high-reliability products. However, any and all semiconductor products fail with some probability. It is possible that these probabilistic failures could give rise to accidents or events that could endanger human lives, that could give rise to smoke or fire, or that could cause damage to other property. When designing equipment, adopt safety measures so that these kinds of accidents or events cannot occur. Such measures include but are not limited to protective circuits and error prevention circuits for safe design, redundant design, and structural design.
- In the event that any or all SANYO products(including technical data, services) described or contained herein are controlled under any of applicable local export control laws and regulations, such products must not be exported without obtaining the export license from the authorities concerned in accordance with the above law.
- No part of this publication may be reproduced or transmitted in any form or by any means, electronic or mechanical, including photocopying and recording, or any information storage or retrieval system, or otherwise, without the prior written permission of SANYO Electric Co., Ltd.
- Any and all information described or contained herein are subject to change without notice due to product/technology improvement, etc. When designing equipment, refer to the "Delivery Specification" for the SANYO product that you intend to use.
- Information (including circuit diagrams and circuit parameters) herein is for example only ; it is not guaranteed for volume production. SANYO believes information herein is accurate and reliable, but no guarantees are made or implied regarding its use or any infringements of intellectual property rights or other rights of third parties.

This catalog provides information as of June, 1999. Specifications and information herein are subject to change without notice.