

SPECIFICATIONS

Absolute Maximum Ratings

Parameter	Symbol	Rating	Unit
Supply voltage	V_{CC}	11	V
Power dissipation ($T_a \leq 50$ °C)	P_D	720	mW
Operating temperature range	T_{opr}	-30 to 80	°C
Storage temperature range	T_{stg}	-40 to 150	°C

Recommended Operating Conditions

$T_a = 25$ °C

Parameter	Symbol	Rating	Unit
Supply voltage	V_{CC}	8.5	V
Supply voltage range	V_{CC}	7 to 10	V

Electrical Characteristics

FM characteristics

$V_{CC} = 8.5$ V, $T_a = 25$ °C, $f_c = 10.7$ MHz, $f_m = 1$ kHz, 75 kHz deviation unless otherwise noted

Parameter	Symbol	Condition	Rating			Unit
			min	typ	max	
Quiescent supply current	I_{CCQ}	No signal	21	31	41	mA
-3 dB limiting sensitivity	-3dBLS	Referred to $V_1 = 100$ dB μ . Mute is ON.	27	37	47	dB μ
Tuning LED turn-on input voltage	V_{LED}	$V_{26} = 2$ V	43	58	73	dB μ
Detector output voltage	V_O	$V_1 = 100$ dB μ	165	250	345	mV
S-meter output voltage	V_{SM}	No signal	0	0.15	0.7	V
		$V_1 = 100$ dB μ	5.0	6.1	7.0	
IF buffer output voltage	V_{IF}	$V_1 = 80$ dB μ , $V_{12} = 5$ V	200	360	540	mV
SNC output voltage	V_{SUB}	$V_1 = 100$ dB μ , $V_{34} = 0.1$ V. See note.	-	0.5	5.0	mV
Tuning LED turn-on bandwidth	BW_{LED}	$V_1 = 100$ dB μ , $V_{26} \geq 2$ V	85	130	180	kHz
Signal-to-noise ratio	S/N	$V_1 = 100$ dB μ	66	74	-	dB
AM suppression ratio	AMR	$V_1 = 100$ dB μ at 1 kHz with 30% AM modulation	38	60	-	dB
Separation	Sep	$V_1 = 100$ dB μ . See note.	30	45	-	dB
Channel balance	CB		-1.5	0	1.5	dB
HCC output attenuation	α	$V_1 = 100$ dB μ , $V_{33} = 0.6$ V, $f_m = 10$ kHz. See note.	-10.0	-5.0	-0.5	dB
Stereo LED turn-on pilot tone modulation	LED-ON	$V_1 = 100$ dB μ	1.8	3.2	5.0	%
Stereo LED turn-off pilot tone modulation	LED-OFF	$V_1 = 100$ dB μ	-	2.2	-	%

LA1875M

Parameter	Symbol	Condition	Rating			Unit
			min	typ	max	
Total harmonic distortion	THD	$V_1 = 100 \text{ dB}\mu$, mono signal	-	0.5	2.5	%
		$V_1 = 100 \text{ dB}\mu$, main channel signal	-	0.5	2.5	

Note

V_1 comprises 90% left + right signal and 10% pilot signal.

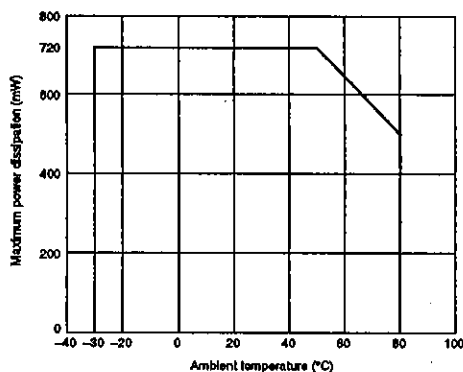
AM characteristics

$V_{CC} = 8.5 \text{ V}$, $T_a = 25 \text{ }^\circ\text{C}$, $f_c = 1 \text{ MHz}$, $f_m = 1 \text{ kHz}$ with 30% modulation

Parameter	Symbol	Condition	Rating			Unit
			min	typ	max	
Quiescent supply current	I_{CCO}	No signal	15	24	33	mA
Tuning LED turn-on input voltage	V_{LED}	$V_{26} = 2 \text{ V}$	21	30	39	$\text{dB}\mu$
RF AGC turn-on input voltage	V_{AGC}	$V_1 = 3 \text{ V}$	50	57	64	$\text{dB}\mu$
Detector output voltage	V_O	$V_1 = 25 \text{ dB}\mu$	18	40	68	mV
		$V_1 = 74 \text{ dB}\mu$	70	105	156	
IF buffer output voltage	V_{IF}	$V_1 = 50 \text{ dB}\mu$, $V_{12} = 5 \text{ V}$	150	260	390	mV
S-meter output voltage	V_{SM}	No signal	0	0.7	1.3	V
		$V_1 = 74 \text{ dB}\mu$	2.6	3.7	5.2	
Pin-diode driver current	I_{antd}	$V_1 = 0.7 \text{ V}$	2.0	2.5	3.0	mA
Signal-to-noise ratio	S/N	$V_1 = 25 \text{ dB}\mu$	17	21	-	dB
		$V_1 = 74 \text{ dB}\mu$	42	49	-	
Total harmonic distortion	THD	$V_1 = 74 \text{ dB}\mu$	-	0.35	1.0	%
		$V_1 = 130 \text{ dB}\mu$	-	0.4	2.0	

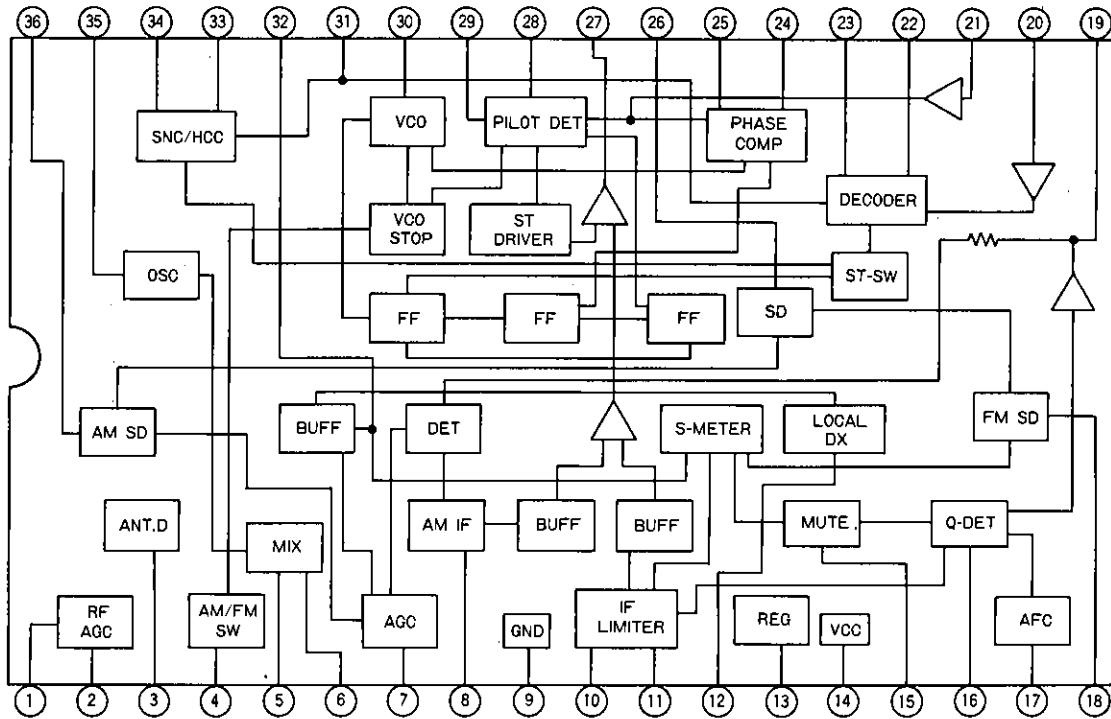
Typical Performance Characteristics

Maximum power dissipation vs. ambient temperature

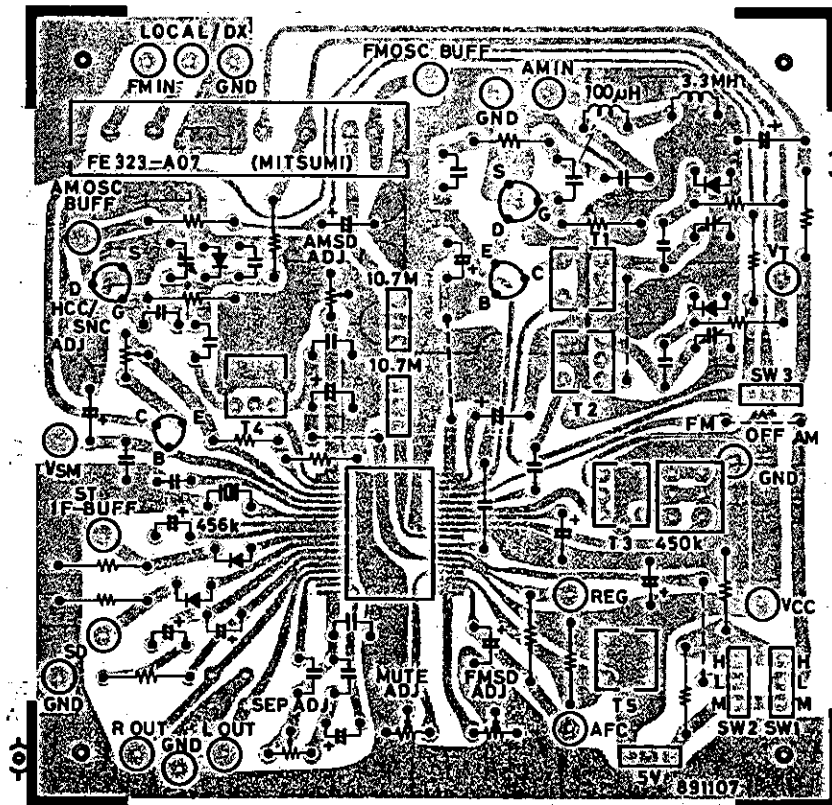


LA1875M

Block Diagram



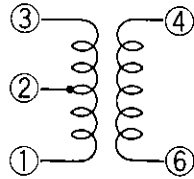
Sample Printed Circuit Pattern



Cu-foiled area 90×90mm²

LA1875M Coil Specifications

T1 RF double tuning coil (Primary)

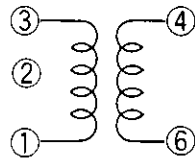


L1 - 3 = 224 μ H

YT-30020 (Mitsumi)

- ① - ② 2T
- ⑥ - ④ 37T
- ② - ③ 82T

T2 RF double tuning coil (Secondary)

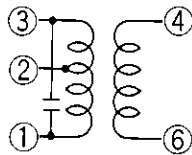


L1 - 3 = 224 μ H

YT-30018 (Mitsumi)

- ① - ② 2T
- ⑥ - ④ 15T
- ② - ③ 82T

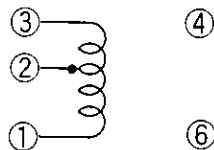
T3 AM IFT Coil (Matching Coil for SFZ 450 HL3)



HW-6145 (Mitsumi)

- ③ - ② 67T $Q_0 = 70 \pm 20\%$
- ② - ① 85T $f = 450\text{kHz}$
- ⑥ - ④ 10T internal 180pF

T4 AM OSC Coil

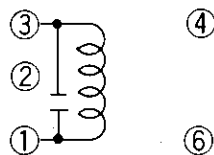


L1 - 3 = 118 μ H

YT-30008 (Mitsumi)

- ① - ② 29T
- ② - ③ 29T

T5 FM DET Coil

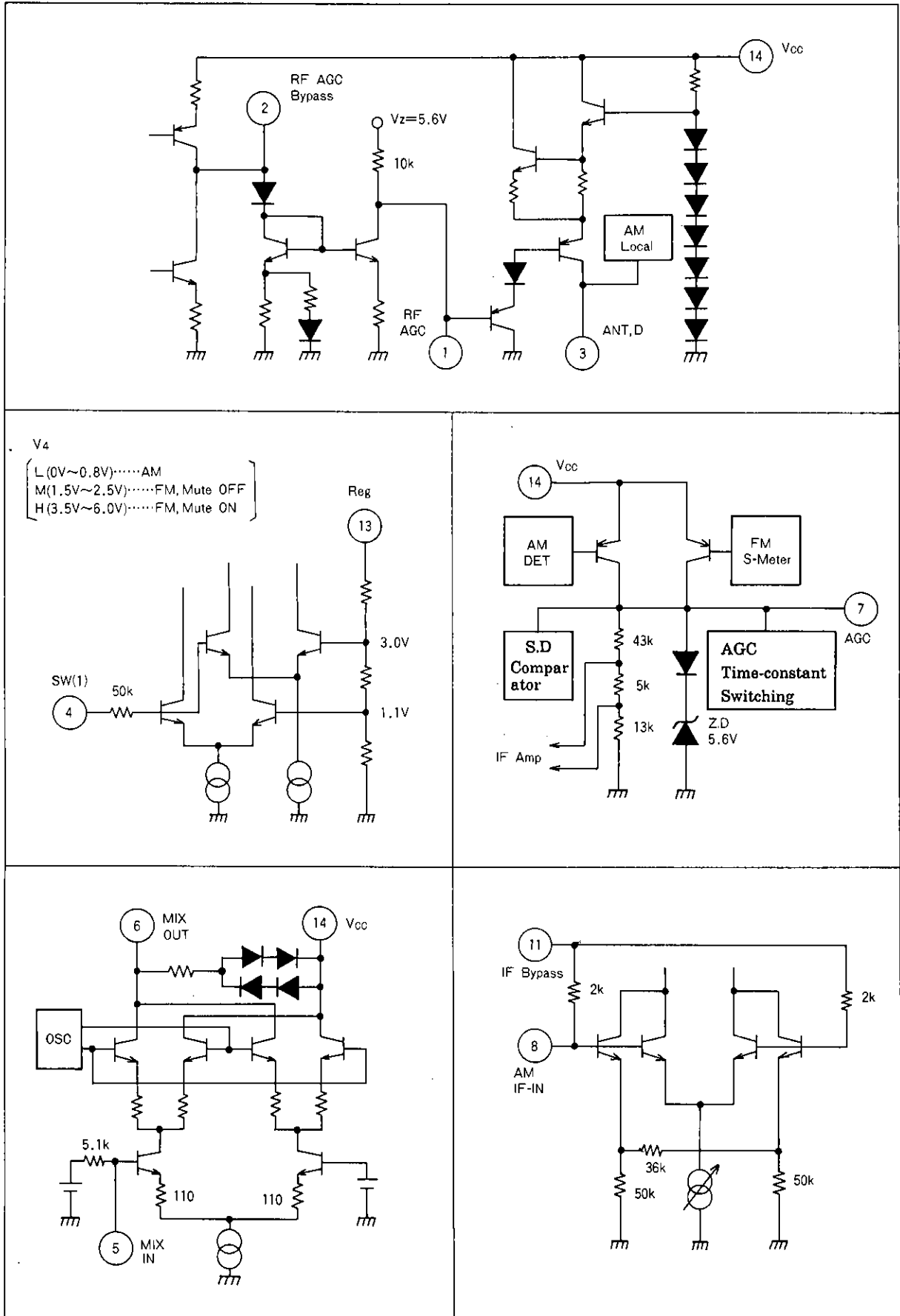


292TEAS-3741Z (Toko)

- ① - ③ 21T
- $f = 10.7\text{MHz}$
- internal 82pF
- $Q_0 = 38 \pm 20\%$

IC Internal Equivalent Circuit Diagrams

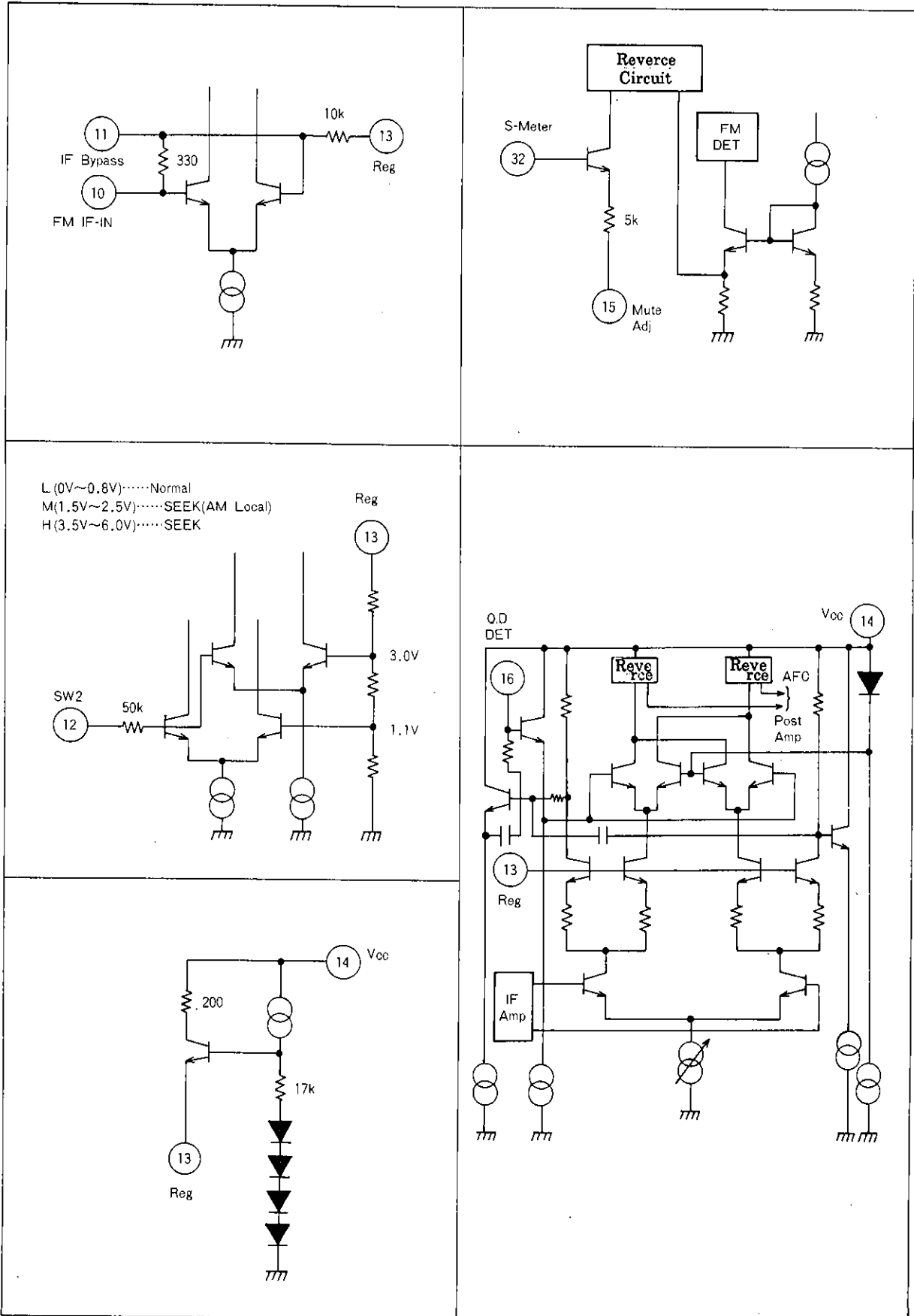
Unit (resistance: Ω)



Continued on next page.

Continued from preceding page.

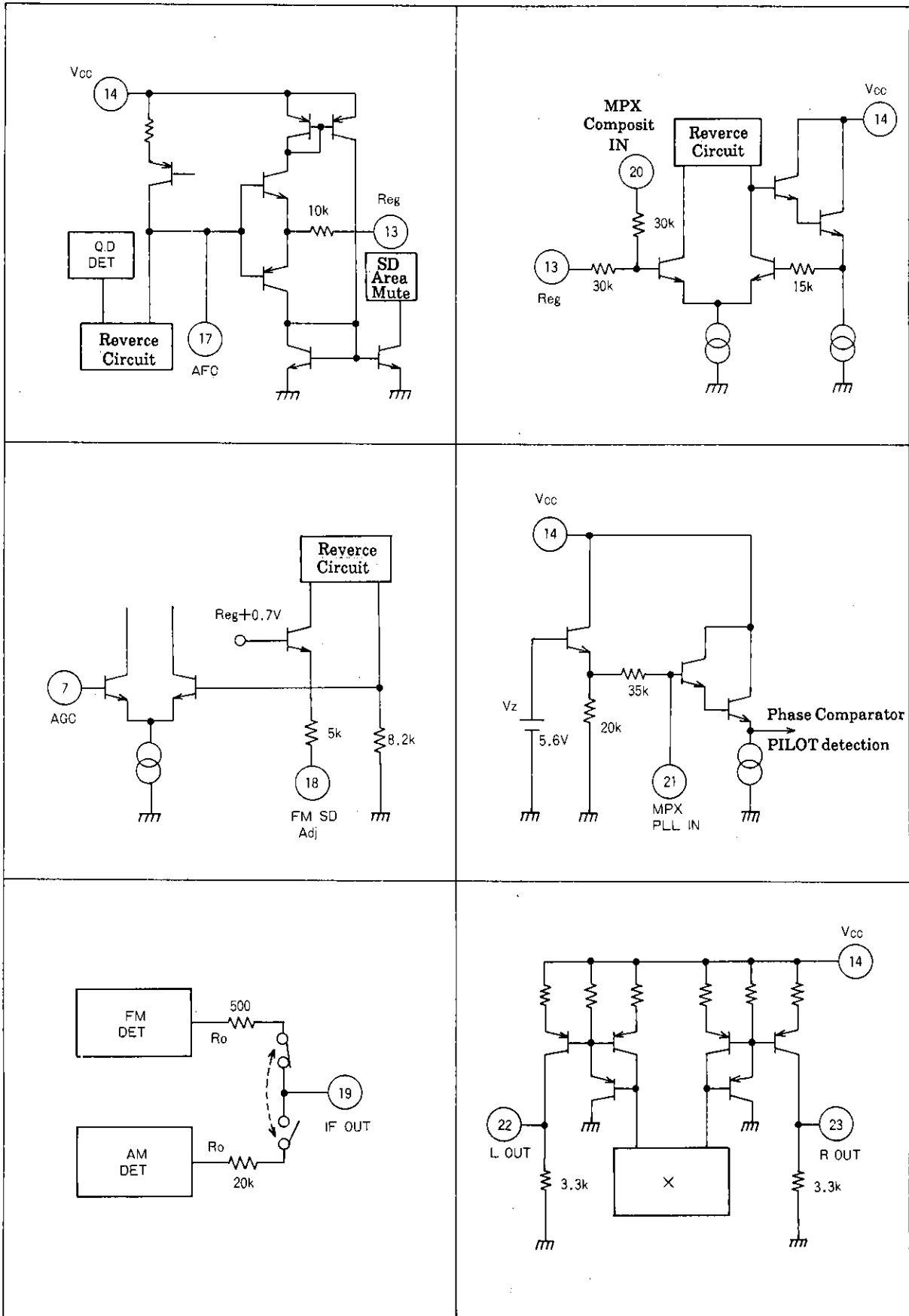
Unit (resistance: Ω)



Continued on next page.

Continued from preceding page.

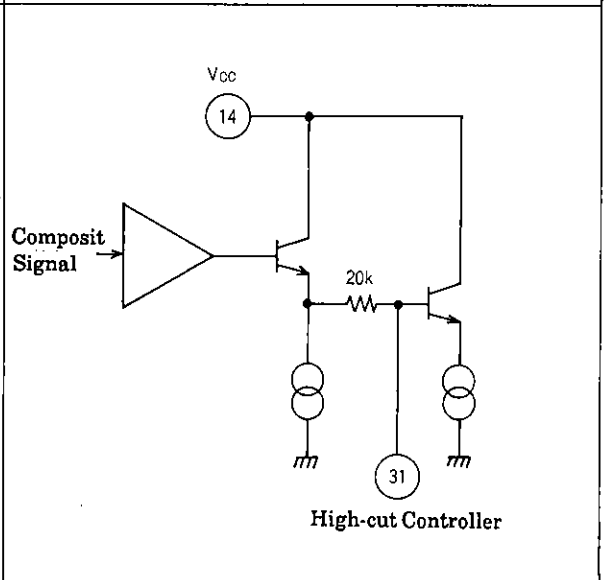
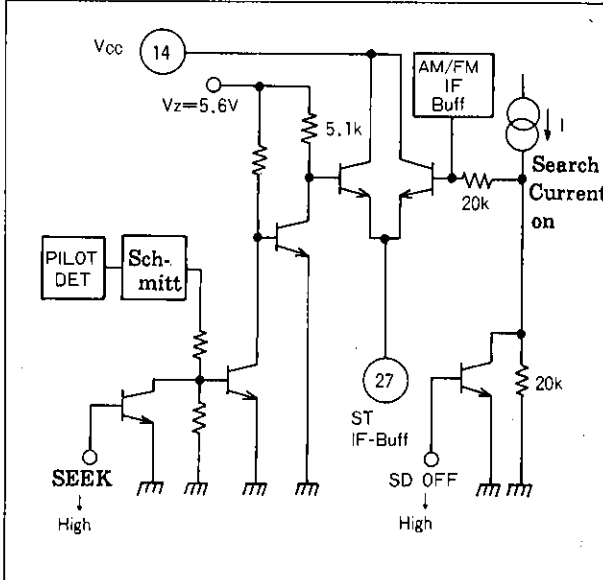
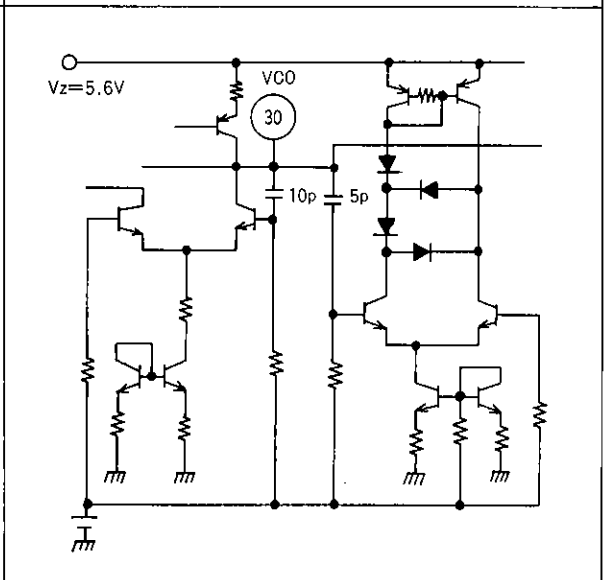
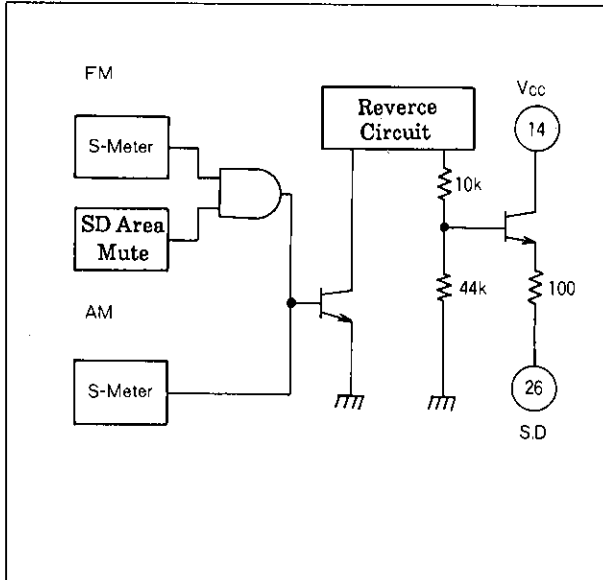
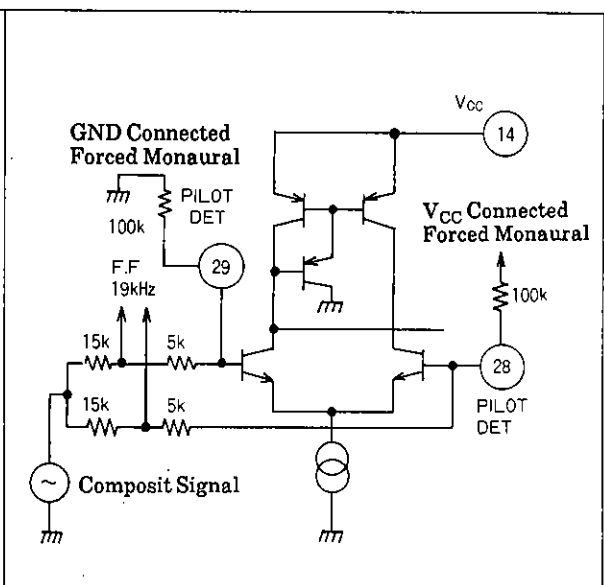
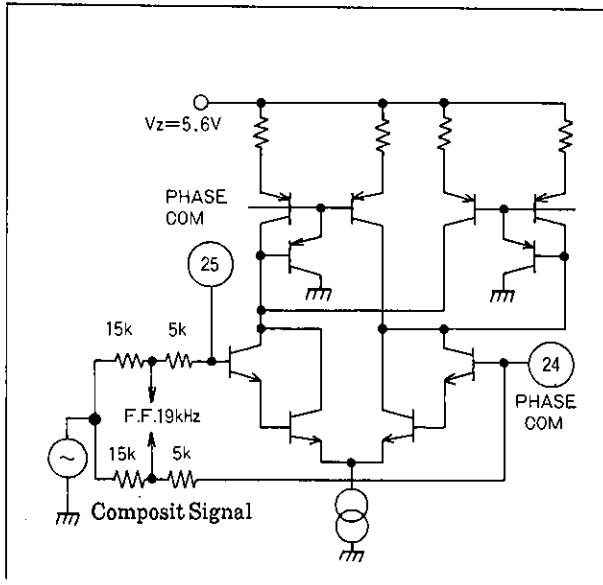
Unit (resistance: Ω)



Continued on next page.

Continued from preceding page.

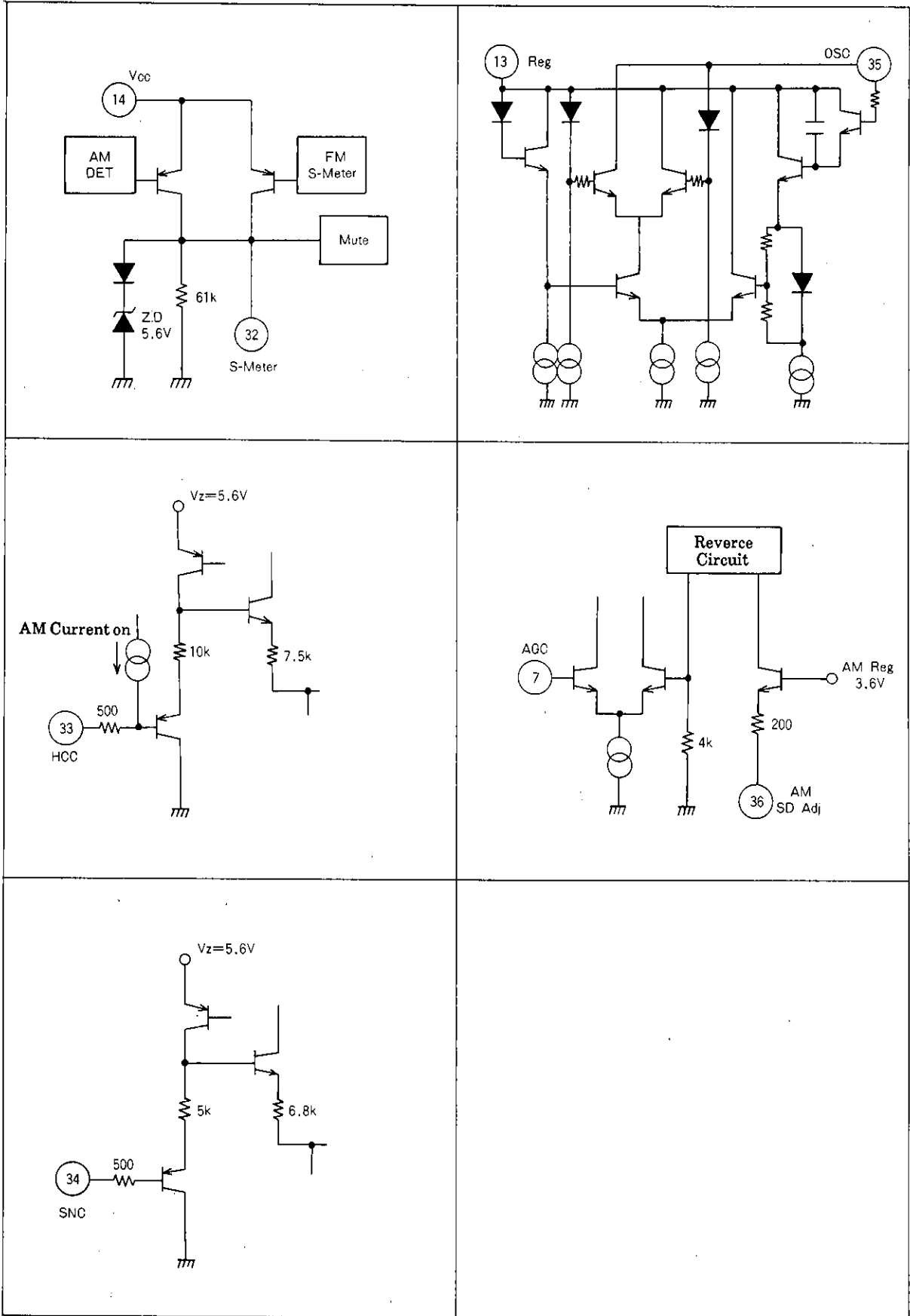
Unit (resistance: Ω)



Continued on next page.

Continued from preceding page.

Unit (resistance: Ω)



- No products described or contained herein are intended for use in surgical implants, life-support systems, aerospace equipment, nuclear power control systems, vehicles, disaster/crime-prevention equipment and the like, the failure of which may directly or indirectly cause injury, death or property loss.
- Anyone purchasing any products described or contained herein for an above-mentioned use shall:
 - ① Accept full responsibility and indemnify and defend SANYO ELECTRIC CO., LTD., its affiliates, subsidiaries and distributors and all their officers and employees, jointly and severally, against any and all claims and litigation and all damages, cost and expenses associated with such use;
 - ② Not impose any responsibility for any fault or negligence which may be cited in any such claim or litigation on SANYO ELECTRIC CO., LTD., its affiliates, subsidiaries and distributors or any of their officers and employees jointly or severally.
- Information (including circuit diagrams and circuit parameters) herein is for example only; it is not guaranteed for volume production. SANYO believes information herein is accurate and reliable, but no guarantees are made or implied regarding its use or any infringements of intellectual property rights or other rights of third parties.