

DBL 5020

LOW VOLTAGE COMPANDER

The DBL5020 contains two variable gain circuits configured for compressing and expanding the dynamic range of an audio signal. One circuit is configured as an expander, while the other circuit can be configured as a compressor or expander. Each circuit has a full wave rectifier to provide average value information to a variable gain cell located in either the input stage or the feedback path.

An internal temperature stable bandgap reference provides the necessary precision voltages and currents required. It contains also compressor and expander mute circuit.

FEATURES

- Low voltage operation $V_{opr.} = 1.8 \sim 5.0V$
- Decreasing external components
- Built in compressor and expander mute circuit
- Unity gain level set at $100mV_{rms}$
- Response time adjustable

MAXIMUM RATINGS ($T_a = 25^\circ C$)

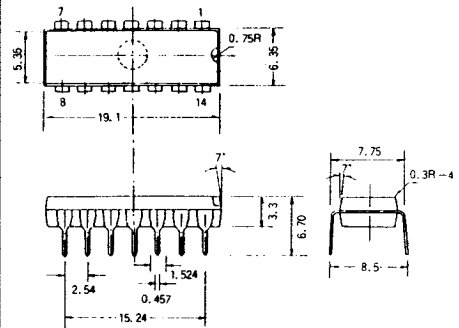
CHARACTERISTIC	SYMBOL	RATING	UNIT
Maximum Supply Voltage	V_{cc}	10	V
Power Dissipation	P_d	410	mW
Storage Temperature Range	T_{stg}	$-55 \sim 150$	$^\circ C$

OPERATING CONDITIONS

- Operating Supply Voltage : $1.8 \sim 5.0(V)$
- Operating Temperature Range : $-20 \sim 70(^\circ C)$
- Input frequency Range : $100 \sim 20K(Hz)$
- Input Voltage : Compressor Input = $700mV_{rms}$
 $(V_{cc} = 3V)$ Expander Input = $316mV_{rms}$

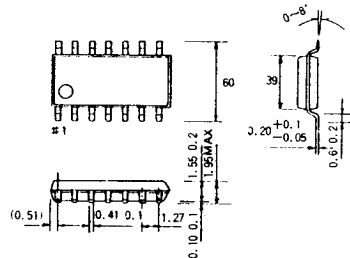
14DIP

Unit : mm



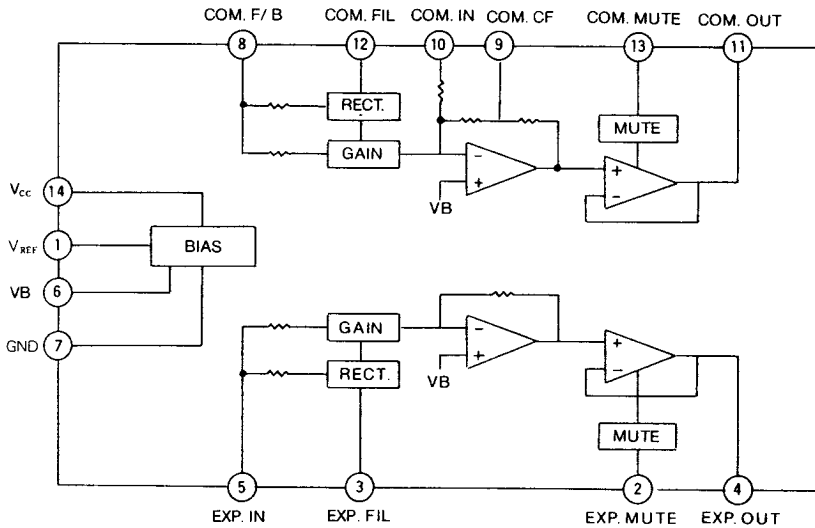
14SOP

DMD5620-V



DBL 5020

□ BLOCK DIAGRAM



□ PIN VOLTAGE AND DESCRIPTION

Pin		Voltage (V)	Description
NO	NAME		
1	V_{REF}	1.3	Bandgap Voltage.
2	EXP.MUTE	1.4	Expander mute adjust.
3	EXP.FILTER	0~0.6	Expander Filter. Connect to an external capacitor to filter the full wave rectifier's output. This capacitor affects attack & delay times, as well as low frequency accuracy.
4	EXP.OUTPUT	1.5	Output of the expander amplifier
5	EXP.INPUT	1.5	Expander input. Nominally signal range is 3.16mVrms to 316mVrms. Must be capacitor coupled to the signal source.
6	VB	2.2	An internal reference voltage. This is an AC ground, and must be well filtered to obtain high power supply rejection and low crosstalk.
7	GND	GND	Ground
8	COM.FEEDBACK	1.5	Input to the compressor Variable gain stage and rectifier

DBL 5020

DC PIN VOLTAGE AND DESCRIPTION(Continued)

Pin		Voltage (V)	Description
NO	NAME		
9	COM.CF	1.5	Normally, this is connected to the compressor's output through filtered DC feedback path.
10	COM.INPUT	1.5	Compressor input. Normally, signal range is 100 μ Vrms to 1.0Vrms. Must be capacitor coupled to the signal source
11	COM.OUTPUT	1.5	Output of the compressor amplifier.
12	COM.FILTER	0~0.6	Compressor filter. Connect to an external capacitor to filter the full wave rectifier's output. This capacitor affects attack & decay times, and low frequency accuracy.
13	COM.MUTE	1.4	Compressor mute adjust.
14	V _{cc}	3	Power supply pin. Connect to a power supply providing between 1.8 and 5.0volts

ELECTRICAL CHARACTERISTICS

(Unless Otherwise Specified, T_a=25°C, V_{cc}=3V, f=1KHz)

Characteristics	Symbol	Test Condition	Min.	Typ.	Max.	Unit
Supply Current	I _{cc}	No Signal	-	3.1	-	mA
Compressor Section						
0dB Gain	G _{co}	V _{inc} =100mVrms, 0dB	-1.5	0	+1.5	dB
Gain Error (NOTE 1)	G _{c1}	V _{inc} =316mVrms, 10dB	-1	0	+1	dB
	G _{c2}	V _{inc} =10mVrms, -20dB	-1	0	+1	dB
	G _{c3}	V _{inc} =1mVrms, -40dB	-1	0	+1	dB
	G _{c4}	V _{inc} =100 μ Vrms, -60dB	-1	0	+1	dB
Distortion	THD _c	V _{inc} =100mVrms, f=1KHz		0.3	1.5	%
Noise Output	V _{noc}	R _g =600 Ω	-	0.8	5.0	mVrms
Ripple Rejection Ratio	RR _c	V _{cc} =1KHz, 3V(DC), 100mVrms	-	-25	-18	dB

DBL 5020

□ ELECTRICAL CHARACTERISTICS(Continued)

(Unless Otherwise Specified, $T_a=25^{\circ}\text{C}$, $V_{cc}=3\text{V}$, $f=1\text{KHz}$)

Characteristics	Symbol	Test Condition	Min.	Typ.	Max.	Unit
Crosstalk(C →E)	CT_c	$V_{in_c}=100\text{mVrms}$, Exp Output	-	-72	-50	dB
Muting Attenuation	Att_c	$V_{in_c}=100\text{mVrms}$, $V_{pin3}=\text{GND}$	-	-65	-50	dB
Input Impedance	R_{in_c}	PIN 10	-	20	-	$k\Omega$
Expander Section						
0dB Gain	G_{ex}	$V_{in_c}=100\text{mVrms}$ 0dB	-1.5	0	+1.5	dB
Gain Error (NOTE1)	G_{e1}	$V_{in_c}=178\text{mVrms}$ 5dB	-1	0	+1	dB
	G_{e2}	$V_{in_c}=31.6\text{mVrms}$ -10dB	-1	0	+1	dB
	G_{e3}	$V_{in_c}=10\text{mVrms}$ -20dB	-1	0	+1	dB
	G_{e4}	$V_{in_c}=3.16\text{mVrms}$ -30dB	-1	0	+1	dB
Distortion	THD_c	$V_{in_c}=100\text{mVrms}$ $f=1\text{KHz}$	-	0.4	1.5	%
Noise Output	V_{no_c}	$R_g=600\Omega$	-	0.06	5.0	mVrms
Ripple Rejection Ratio	RR_c	$V_{cc}=1\text{KHz}$, 3V(DC), 100mVrms	-	-58	-38	dB
Crosstalk(E →C)	CT_c	$V_{in_c}=100\text{mVrms}$, Com Output	-	-34	-24	dB
Muting Attenuation	Att_c	$V_{in_c}=316\text{mVrms}$, $V_{pin2}=\text{GND}$	-	-70	-50	dB
Input Impedance	R_{in_c}	PIN4	-	4.3	-	$k\Omega$

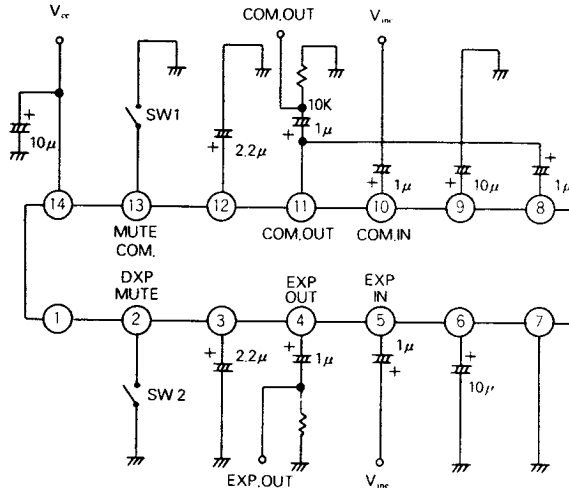
NOTE 1) Gain Error = $(V_{out} - 20\text{dB}) - V_{in} \times K$

K : Compressor = 0.5

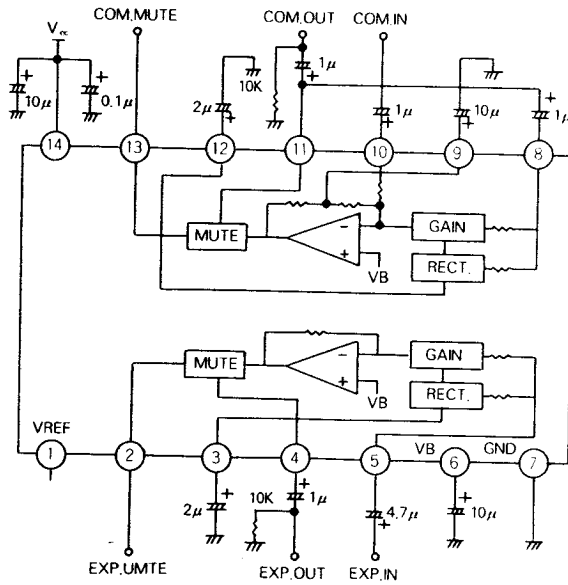
Expander = 2

DBL 5020

TEST CIRCUIT

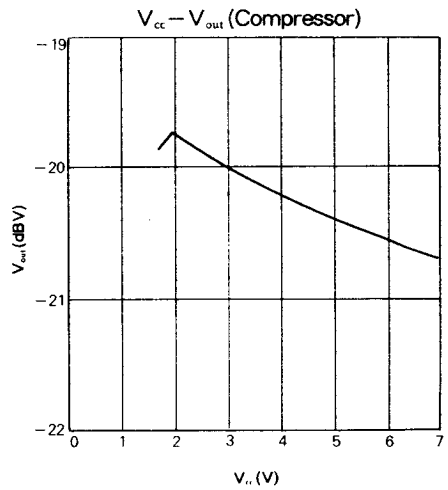
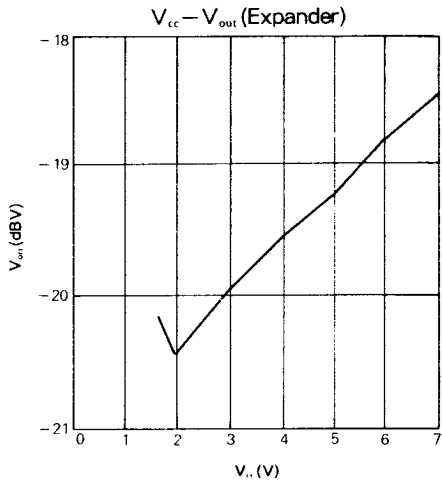
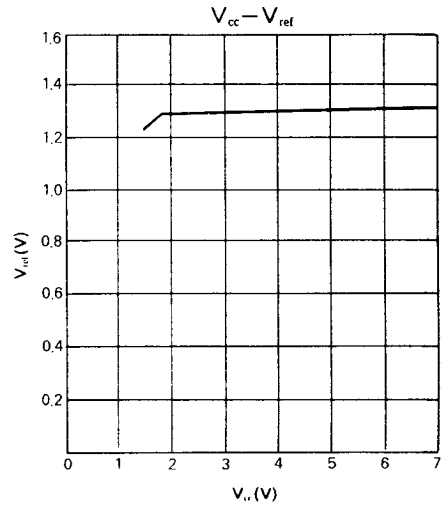
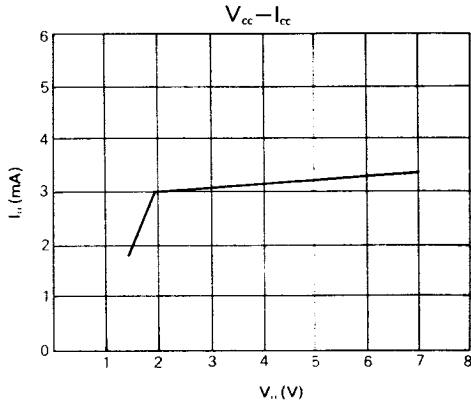


APPLICATION CIRCUIT



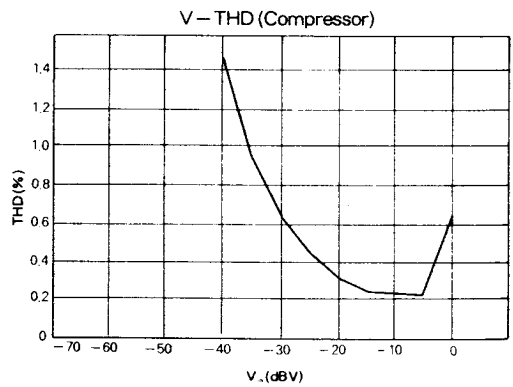
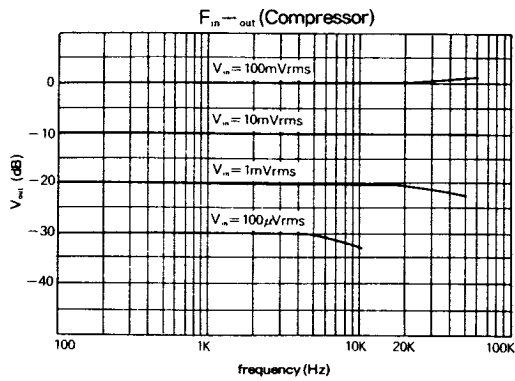
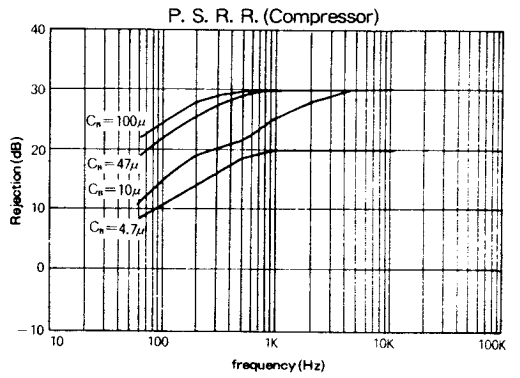
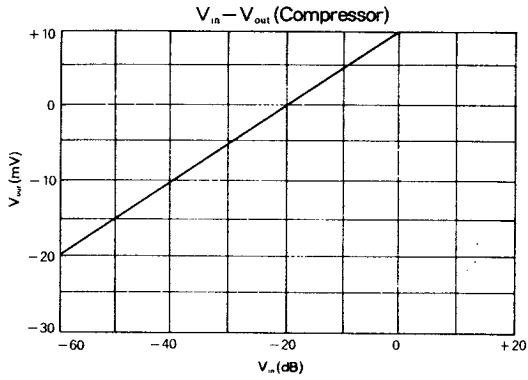
DBL 5020

□ TYPICAL PERFORMANCE CHARACTERISTICS



DBL 5020

TYPICAL PERFORMANCE CHARACTERISTICS(Continued)



DBL 5020

TYPICAL PERFORMANCE CHARACTERISTICS(Continued)

