

CMPT7090L
SURFACE MOUNT
LOW $V_{CE(SAT)}$
PNP POWER TRANSISTOR

POWER
23



SOT-23F CASE

CentralTM

Semiconductor Corp.

DESCRIPTION:

The CENTRAL SEMICONDUCTOR CMPT7090L is a Low $V_{CE(SAT)}$ PNP Transistor in a space saving Power SOT-23F surface mount package, designed for DC-DC converters for mobile systems and LAN cards, motor control, power management and strobe flash units.

Marking code is **709L**.

MAXIMUM RATINGS: ($T_A=25^\circ\text{C}$)

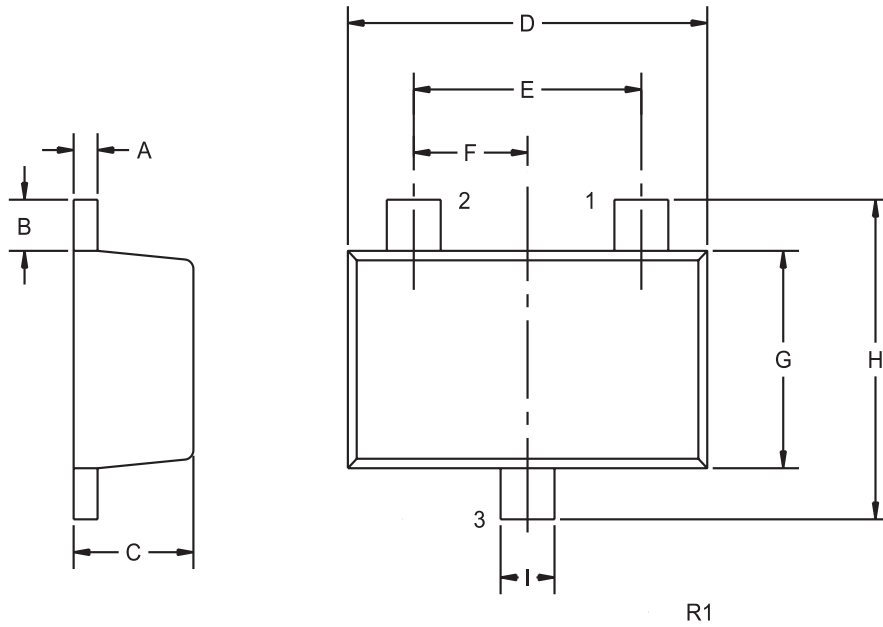
	SYMBOL		UNITS
Collector-Base Voltage	V_{CBO}	50	V
Collector-Emitter Voltage	V_{CEO}	40	V
Emitter-Base Voltage	V_{EBO}	5.0	V
Continuous Collector Current	I_C	3.0	A
Peak Pulse Current	I_{CM}	6.0	A
Power Dissipation	P_D	350	mW
Operating and Storage			
Junction Temperature	T_J, T_{stg}	-65 to +150	$^\circ\text{C}$
Thermal Resistance	θ_{JA}	357	$^\circ\text{C/W}$

ELECTRICAL CHARACTERISTICS: ($T_A=25^\circ\text{C}$ unless otherwise noted)

SYMBOL	TEST CONDITIONS	MIN	TYP	MAX	UNITS
I_{CBO}	$V_{CB}=30\text{V}$			100	nA
I_{CBO}	$V_{CB}=30\text{V}, T_A=100^\circ\text{C}$			10	μA
I_{EBO}	$V_{EB}=4.0\text{V}$			100	nA
BV_{CBO}	$I_C=100\mu\text{A}$	50			V
BV_{CEO}	$I_C=10\text{mA}$	40			V
BV_{EBO}	$I_E=100\mu\text{A}$	5.0			V
$V_{CE(SAT)}$	$I_C=500\text{mA}, I_B=5.0\text{mA}$		100	250	mV
$V_{CE(SAT)}$	$I_C=1.0\text{A}, I_B=10\text{mA}$		175	450	mV
$V_{CE(SAT)}$	$I_C=2.0\text{A}, I_B=50\text{mA}$		250	750	mV
$V_{BE(SAT)}$	$I_C=1.0\text{A}, I_B=10\text{mA}$		0.8	1.0	V
h_{FE}	$V_{CE}=2.0\text{V}, I_C=10\text{mA}$	300		800	
h_{FE}	$V_{CE}=2.0\text{V}, I_C=500\text{mA}$	250			
h_{FE}	$V_{CE}=2.0\text{V}, I_C=1.0\text{A}$	200			
h_{FE}	$V_{CE}=2.0\text{V}, I_C=2.0\text{A}$	150			
f_T	$V_{CE}=5\text{V}, I_C=50\text{mA}, f=50\text{MHz}$	100			MHz

R0 (13-December 2001)

SOT-23F CASE - MECHANICAL OUTLINE



LEAD CODE:

- 1) Base
- 2) Emitter
- 3) Collector

DIMENSIONS				
SYMBOL	INCHES		MILLIMETERS	
	MIN	MAX	MIN	MAX
A	0.004	0.008	0.10	0.20
B	0.012	0.020	0.30	0.50
C	0.031	0.039	0.80	1.00
D	0.110	0.118	2.80	3.00
E	0.075		1.90	
F	0.037		0.95	
G	0.059	0.067	1.50	1.70
H	0.091	0.098	2.30	2.50
I	0.014	0.018	0.35	0.45

SOT-23F (REV: R1)