



BULT118

HIGH VOLTAGE FAST-SWITCHING NPN POWER TRANSISTORS

- STMicroelectronics PREFERRED SALESTYPE
- NPN TRANSISTOR
- HIGH VOLTAGE CAPABILITY
- LOW SPREAD OF DYNAMIC PARAMETERS
- MINIMUM LOT-TO-LOT SPREAD FOR RELIABLE OPERATION
- VERY HIGH SWITCHING SPEED

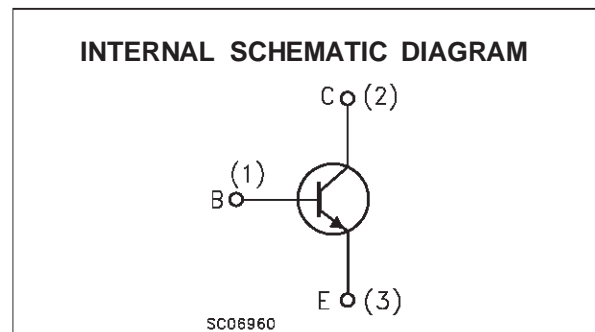
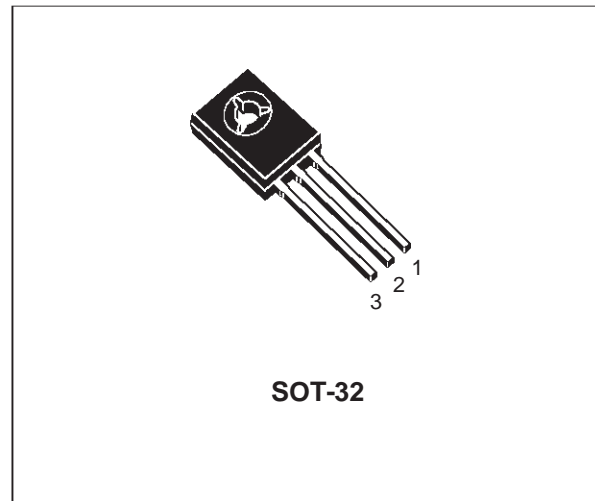
APPLICATIONS:

- ELECTRONIC BALLASTS FOR FLUORESCENT LIGHTING
- FLYBACK AND FORWARD SINGLE TRANSISTOR LOW POWER CONVERTERS

DESCRIPTION

The device is manufactured using high voltage Multi Epitaxial Planar technology for high switching speeds and medium voltage capability. It uses a Cellular Emitter structure with planar edge termination to enhance switching speeds while maintaining the wide RBSOA.

The device is designed for use in lighting applications and low cost switch-mode power supplies.



ABSOLUTE MAXIMUM RATINGS

| Symbol | Parameter | Value | Unit |
|-----------|--|------------|------|
| V_{CES} | Collector-Emitter Voltage ($V_{BE} = 0$) | 700 | V |
| V_{CEO} | Collector-Emitter Voltage ($I_B = 0$) | 400 | V |
| V_{EBO} | Emitter-Base Voltage ($I_C = 0$) | 9 | V |
| I_C | Collector Current | 2 | A |
| I_{CM} | Collector Peak Current ($t_p < 5$ ms) | 4 | A |
| I_B | Base Current | 1 | A |
| I_{BM} | Base Peak Current ($t_p < 5$ ms) | 2 | A |
| P_{tot} | Total Dissipation at $T_c = 25$ °C | 45 | W |
| T_{stg} | Storage Temperature | -65 to 150 | °C |
| T_j | Max. Operating Junction Temperature | 150 | °C |

BULT118

THERMAL DATA

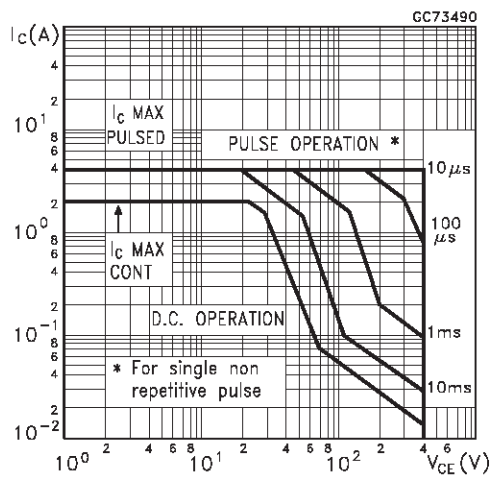
| | | | | |
|-----------------------|-------------------------------------|-----|------|------|
| R _{thj-case} | Thermal Resistance Junction-Case | Max | 2.77 | °C/W |
| R _{thj-amb} | Thermal Resistance Junction-Ambient | Max | 80 | °C/W |

ELECTRICAL CHARACTERISTICS (T_{case} = 25 °C unless otherwise specified)

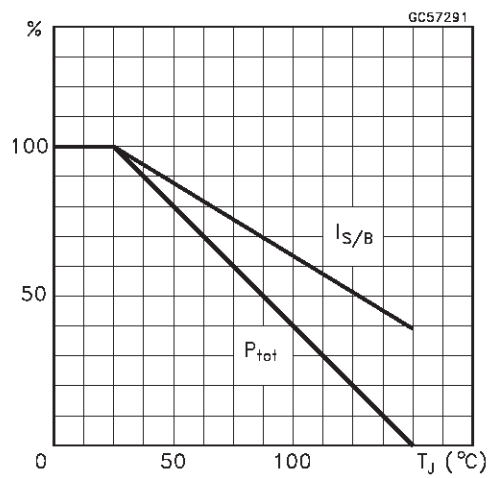
| Symbol | Parameter | Test Conditions | Min. | Typ. | Max. | Unit |
|--|---|---|---------------|--------------------|-------------------|----------------|
| I _{CES} | Collector Cut-off Current (V _{BE} = 0) | V _{CE} = 700 V V _{CE} = 700 V T _j = 125 °C | | | 100 500 | μA μA |
| V _{EBO} | Emitter-Base Voltage | I _E = 10 mA | 9 | | | V |
| V _{CEO(sus)*} | Collector-Emitter Sustaining Voltage (I _B = 0) | I _C = 100 mA L = 25 mH | 400 | | | V |
| I _{CEO} | Collector-Emitter Leakage Current | V _{CE} = 400 V | | | 250 | μA |
| V _{CE(sat)*} | Collector-Emitter Saturation Voltage | I _C = 0.5 A I _C = 1 A I _C = 2 A | | | 0.5 1 1.5 | V V V |
| V _{BE(sat)*} | Base-Emitter Saturation Voltage | I _C = 0.5 A I _C = 1 A I _C = 2 A | | | 1.0 1.2 1.3 | V V V |
| h _{FE*} | DC Current Gain | I _C = 10 mA I _C = 0.5 A I _C = 2 A | | | | |
| | | V _{CE} = 5 V V _{CE} = 5 V V _{CE} = 5 V | 10 10 8 | | 50 | |
| t _r t _s t _f | RESISTIVE LOAD Rise Time Storage Time Fall Time | V _{CC} = 125 V I _{B1} = 0.2 A | | | | |
| | | I _C = 1 A I _{B2} = -0.2 A | | 0.4 3.2 0.25 | 0.7 4.5 0.4 | μs μs μs |
| t _s t _f | INDUCTIVE LOAD Storage Time Fall Time | I _C = 1 A V _{BE} = -5 V V _{clamp} = 300 V | | | | |
| | | I _{B1} = 0.2 A L = 50 mH | | 0.8 0.16 | | μs μs |

* Pulsed: Pulse duration = 300 ms, duty cycle 1.5 %

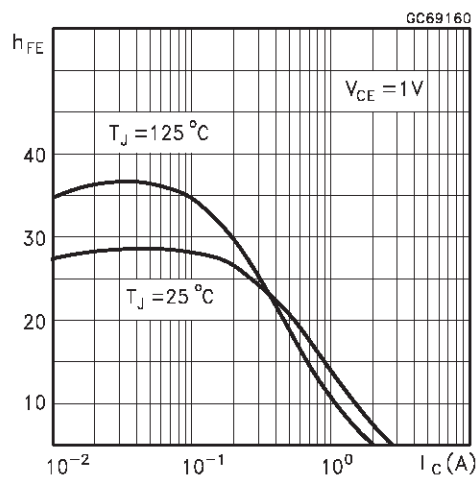
Safe Operating Areas



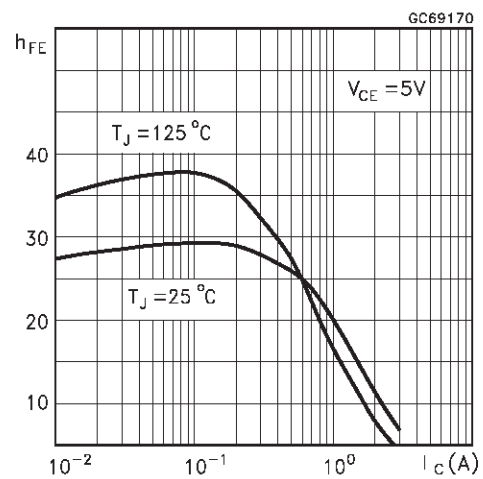
Derating Curve



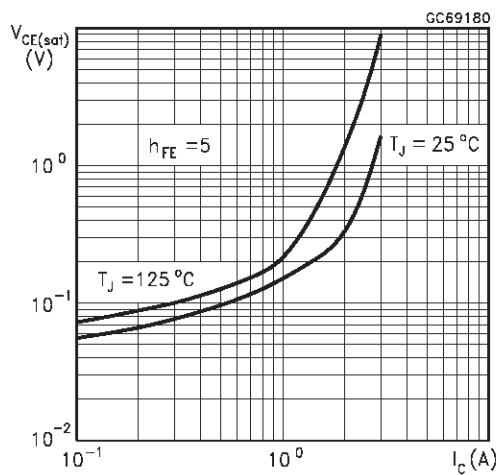
DC Current Gain



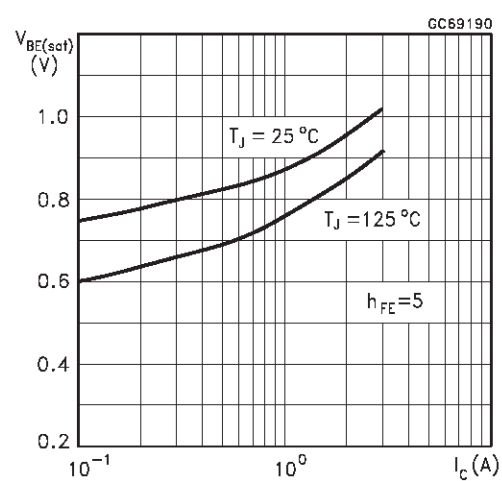
DC Current Gain



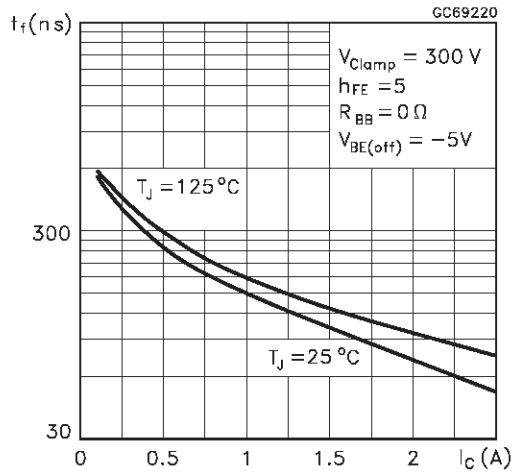
Collector Emitter Saturation Voltage



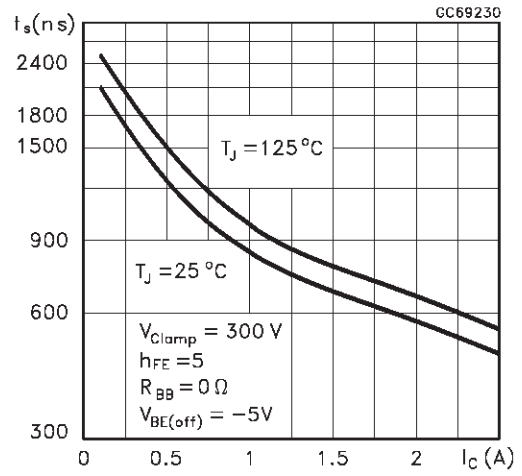
Base Emitter Saturation Voltage



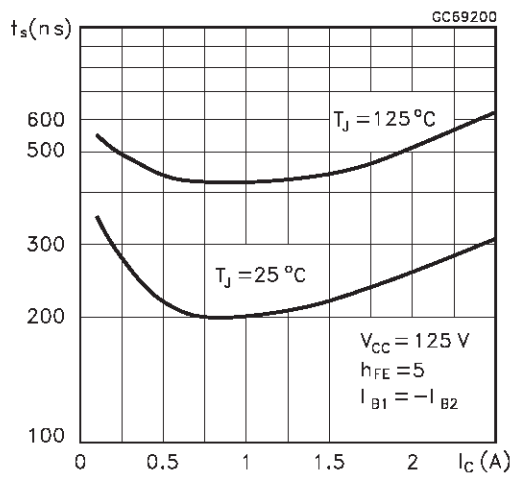
Inductive Fall Time



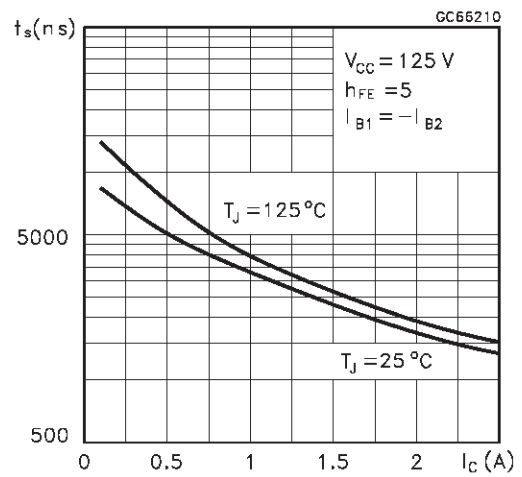
Inductive Storage Time



Resistive Fall Time



Resistive Load Storage Time



Reverse Biased SOA

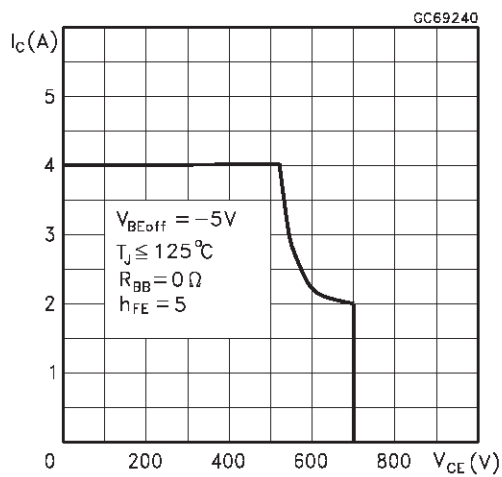


Figure 1: Inductive Load Switching Test Circuits.

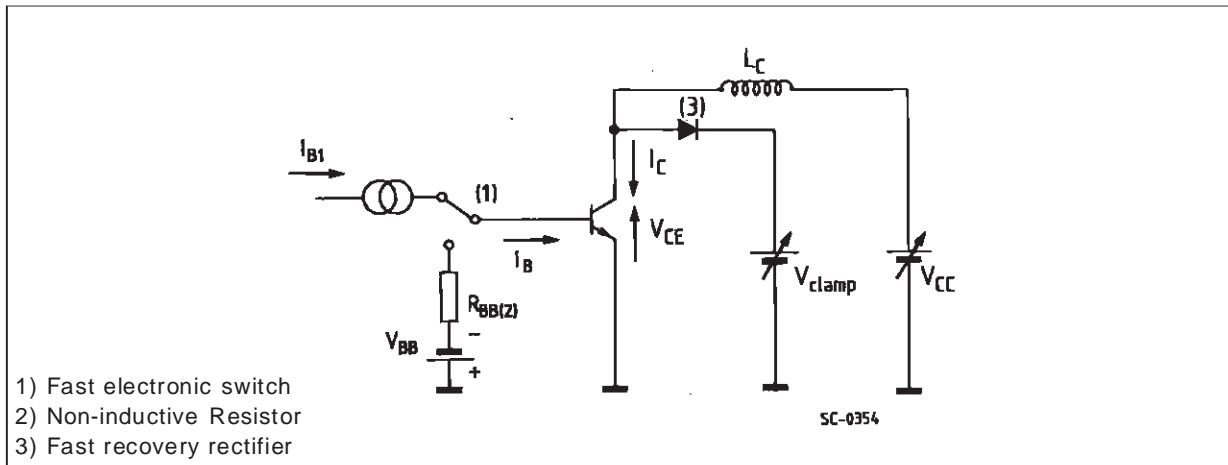
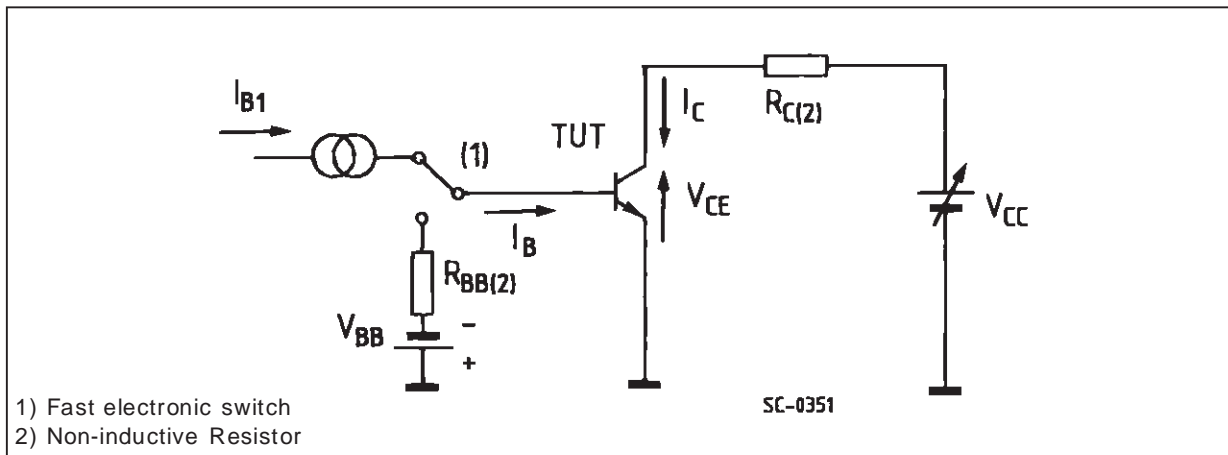
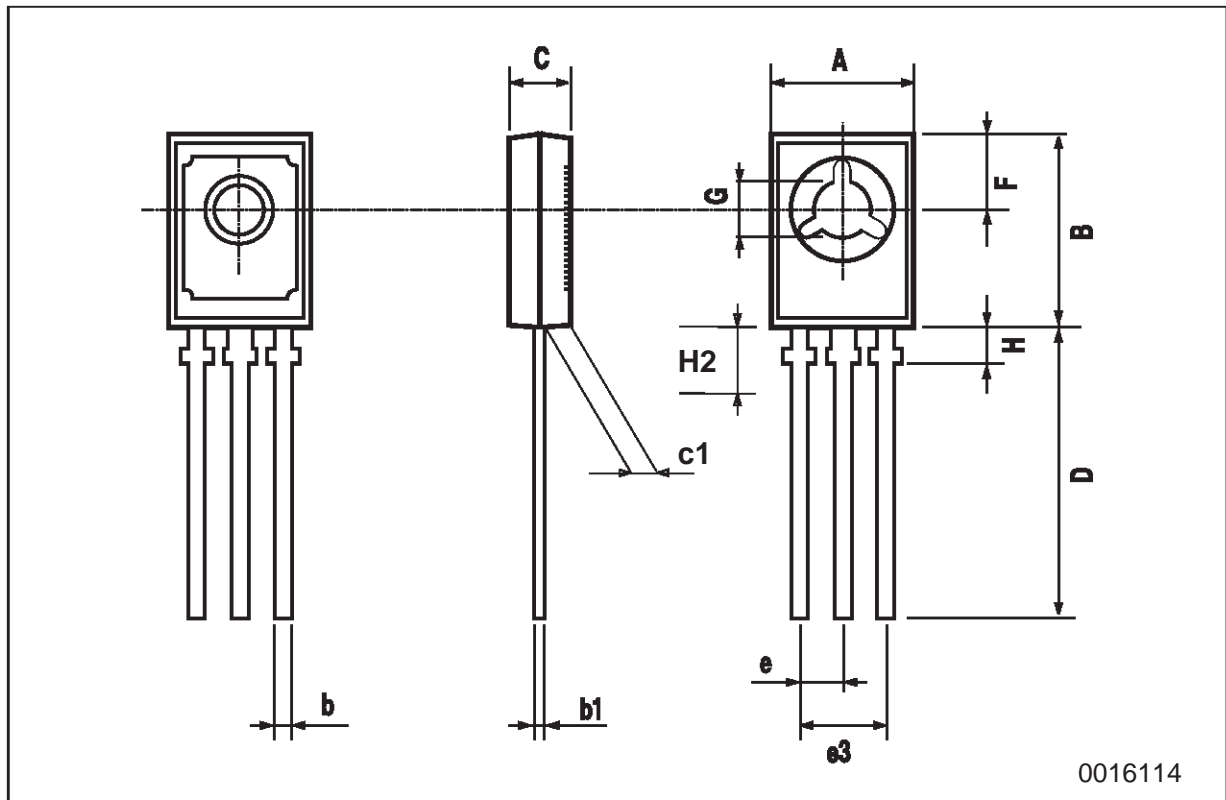


Figure 2: Resistive Load Switching Test Circuits.



SOT-32 (TO-126) MECHANICAL DATA

| DIM. | mm | | | inch | | |
|------|------|------|------|-------|-------|-------|
| | MIN. | TYP. | MAX. | MIN. | TYP. | MAX. |
| A | 7.4 | | 7.8 | 0.291 | | 0.307 |
| B | 10.5 | | 10.8 | 0.413 | | 0.445 |
| b | 0.7 | | 0.9 | 0.028 | | 0.035 |
| b1 | 0.49 | | 0.75 | 0.019 | | 0.030 |
| C | 2.4 | | 2.7 | 0.040 | | 0.106 |
| c1 | 1.0 | | 1.3 | 0.039 | | 0.050 |
| D | 15.4 | | 16.0 | 0.606 | | 0.629 |
| e | | 2.2 | | | 0.087 | |
| e3 | 4.15 | | 4.65 | 0.163 | | 0.183 |
| F | | 3.8 | | | 0.150 | |
| G | 3 | | 3.2 | 0.118 | | 0.126 |
| H | | | 2.54 | | | 0.100 |



0016114

Information furnished is believed to be accurate and reliable. However, STMicroelectronics assumes no responsibility for the consequences of use of such information nor for any infringement of patents or other rights of third parties which may result from its use. No license is granted by implication or otherwise under any patent or patent rights of STMicroelectronics. Specification mentioned in this publication are subject to change without notice. This publication supersedes and replaces all information previously supplied. STMicroelectronics products are not authorized for use as critical components in life support devices or systems without express written approval of STMicroelectronics.

The ST logo is a trademark of STMicroelectronics

© 2000 STMicroelectronics – Printed in Italy – All Rights Reserved

STMicroelectronics GROUP OF COMPANIES

Australia - Brazil - China - Finland - France - Germany - Hong Kong - India - Italy - Japan - Malaysia - Malta - Morocco -
Singapore - Spain - Sweden - Switzerland - United Kingdom - U.S.A.

<http://www.st.com>

