

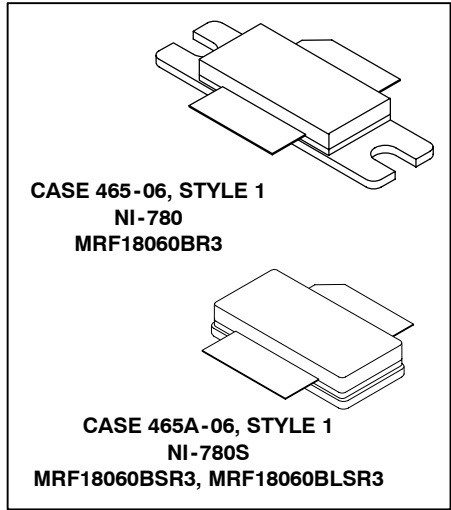
The RF MOSFET Line  
**RF Power Field Effect Transistors**  
**N-Channel Enhancement-Mode Lateral MOSFETs**

Designed for PCN and PCS base station applications with frequencies from 1.8 to 2.0 GHz. Suitable for FM, TDMA, CDMA and multicarrier amplifier applications. To be used in Class AB for PCN-PCS/cellular radio and WLL applications. Specified for GSM1930 - 1990 MHz.

- GSM Performance, Full Frequency Band (1930 - 1990 MHz)  
 Power Gain — 13 dB (Typ) @ 60 Watts CW  
 Efficiency — 45% (Typ) @ 60 Watts CW
- Internally Matched, Controlled Q, for Ease of Use
- High Gain, High Efficiency and High Linearity
- Integrated ESD Protection
- Designed for Maximum Gain and Insertion Phase Flatness
- Capable of Handling 10:1 VSWR, @ 26 Vdc, 60 Watts CW Output Power
- Excellent Thermal Stability
- Available with Low Gold Plating Thickness on Leads. L Suffix Indicates 40μ" Nominal.
- In Tape and Reel. R3 Suffix = 250 Units per 56 mm, 13 Inch Reel.

**MRF18060BR3**  
**MRF18060BSR3**  
**MRF18060BLSR3**

**1.90 - 1.99 GHz, 60 W, 26 V**  
**LATERAL N-CHANNEL**  
**RF POWER MOSFETs**



**MAXIMUM RATINGS**

Rating	Symbol	Value	Unit
Drain-Source Voltage	V <sub>DSS</sub>	65	Vdc
Gate-Source Voltage	V <sub>GS</sub>	-0.5, +15	Vdc
Total Device Dissipation @ T <sub>C</sub> = 25°C Derate above 25°C	P <sub>D</sub>	180 1.03	Watts W/°C
Storage Temperature Range	T <sub>stg</sub>	- 65 to +150	°C
Operating Junction Temperature	T <sub>J</sub>	200	°C

**THERMAL CHARACTERISTICS**

Characteristic	Symbol	Value	Unit
Thermal Resistance, Junction to Case	R <sub>θJC</sub>	0.97	°C/W

**ESD PROTECTION CHARACTERISTICS**

Test Conditions	Class
Human Body Model	2 (Minimum)
Machine Model	M3 (Minimum)

NOTE - **CAUTION** - MOS devices are susceptible to damage from electrostatic charge. Reasonable precautions in handling and packaging MOS devices should be observed.

# Freescale Semiconductor, Inc.

## ELECTRICAL CHARACTERISTICS (T<sub>C</sub> = 25°C unless otherwise noted)

Characteristic	Symbol	Min	Typ	Max	Unit
----------------	--------	-----	-----	-----	------

### OFF CHARACTERISTICS

Drain-Source Breakdown Voltage (V <sub>GS</sub> = 0 Vdc, I <sub>D</sub> = 10 μAdc)	V <sub>(BR)DSS</sub>	65	—	—	Vdc
Zero Gate Voltage Drain Current (V <sub>DS</sub> = 26 Vdc, V <sub>GS</sub> = 0 Vdc)	I <sub>DSS</sub>	—	—	6	μAdc
Gate-Source Leakage Current (V <sub>GS</sub> = 5 Vdc, V <sub>DS</sub> = 0 Vdc)	I <sub>GSS</sub>	—	—	1	μAdc

### ON CHARACTERISTICS

Gate Threshold Voltage (V <sub>DS</sub> = 10 Vdc, I <sub>D</sub> = 300 μAdc)	V <sub>GS(th)</sub>	2	—	4	Vdc
Gate Quiescent Voltage (V <sub>DS</sub> = 26 Vdc, I <sub>D</sub> = 500 mAdc)	V <sub>GS(Q)</sub>	2.5	3.9	4.5	Vdc
Drain-Source On-Voltage (V <sub>GS</sub> = 10 Vdc, I <sub>D</sub> = 2 Adc)	V <sub>DS(on)</sub>	—	0.27	—	Vdc
Forward Transconductance (V <sub>DS</sub> = 10 Vdc, I <sub>D</sub> = 2 Adc)	g <sub>fs</sub>	—	4.7	—	S

### DYNAMIC CHARACTERISTICS

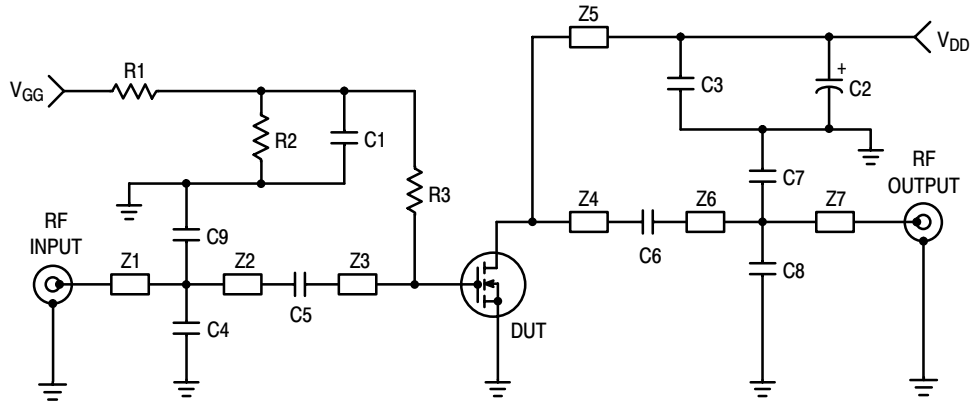
Input Capacitance (Including Input Matching Capacitor in Package) (1) (V <sub>DS</sub> = 26 Vdc ± 30 mV(rms)ac @ 1 MHz, V <sub>GS</sub> = 0 Vdc)	C <sub>iss</sub>	—	160	—	pF
Output Capacitance (1) (V <sub>DS</sub> = 26 Vdc ± 30 mV(rms)ac @ 1 MHz, V <sub>GS</sub> = 0 Vdc)	C <sub>oss</sub>	—	740	—	pF
Reverse Transfer Capacitance (V <sub>DS</sub> = 26 Vdc ± 30 mV(rms)ac @ 1 MHz, V <sub>GS</sub> = 0 Vdc)	C <sub>rss</sub>	—	2.7	—	pF

### FUNCTIONAL TESTS (In Motorola Test Fixture, 50 ohm system)

Common-Source Amplifier Power Gain @ 60 W (2) (V <sub>DD</sub> = 26 Vdc, I <sub>DQ</sub> = 500 mA, f = 1930 - 1990 MHz)	G <sub>ps</sub>	11.5	13	—	dB
Drain Efficiency @ 60 W (2) (V <sub>DD</sub> = 26 Vdc, I <sub>DQ</sub> = 500 mA, f = 1930 - 1990 MHz)	η	40	45	—	%
Input Return Loss (2) (V <sub>DD</sub> = 26 Vdc, P <sub>out</sub> = 60 W CW, I <sub>DQ</sub> = 500 mA, f = 1930 - 1990 MHz)	IRL	—	—	-10	dB
Output Mismatch Stress (V <sub>DD</sub> = 26 Vdc, P <sub>out</sub> = 60 W CW, I <sub>DQ</sub> = 500 mA VSWR = 10:1, All Phase Angles at Frequency of Tests)	Ψ	No Degradation In Output Power Before and After Test			

(1) Part is internally matched both on input and output.

(2) To meet application requirements, Motorola test fixtures have been designed to cover the full GSM1900 band, ensuring batch-to-batch consistency.



C1, C3	10 pF, 100B Chip Capacitors	Z1	0.60" x 0.09" Microstrip
C2	10 $\mu$ F, 35 V Electrolytic Tantalum Capacitor	Z2	1.00" x 0.09" Microstrip
C4, C8	1.2 pF, 100B Chip Capacitors	Z3	0.51" x 0.94" Microstrip
C5	1.0 pF, 100B Chip Capacitor	Z4	0.59" x 0.98" Microstrip
C6	2.2 pF, 100B Chip Capacitor	Z5	0.79" x 0.09" Microstrip
C7, C9	0.3 pF, 100B Chip Capacitors	Z6	1.38" x 0.09" Microstrip
R1, R2	10 k $\Omega$ Chip Resistors (0805)	Z7	0.79" x 0.09" Microstrip
R3	1.0 k $\Omega$ Chip Resistor (0805)	PCB	Teflon <sup>®</sup> Glass

Figure 1. 1930 - 1990 MHz Test Fixture Schematic

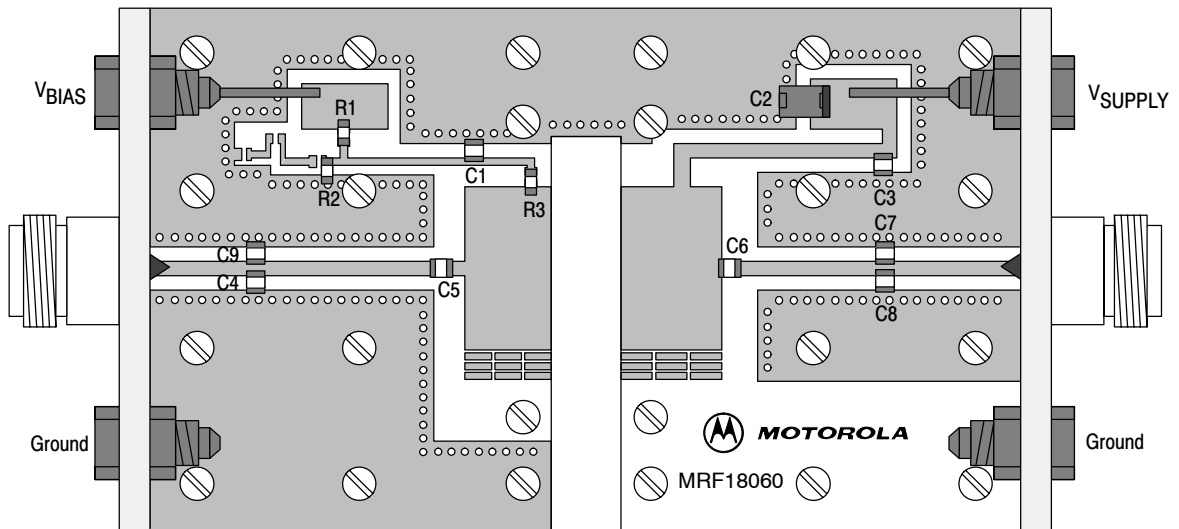
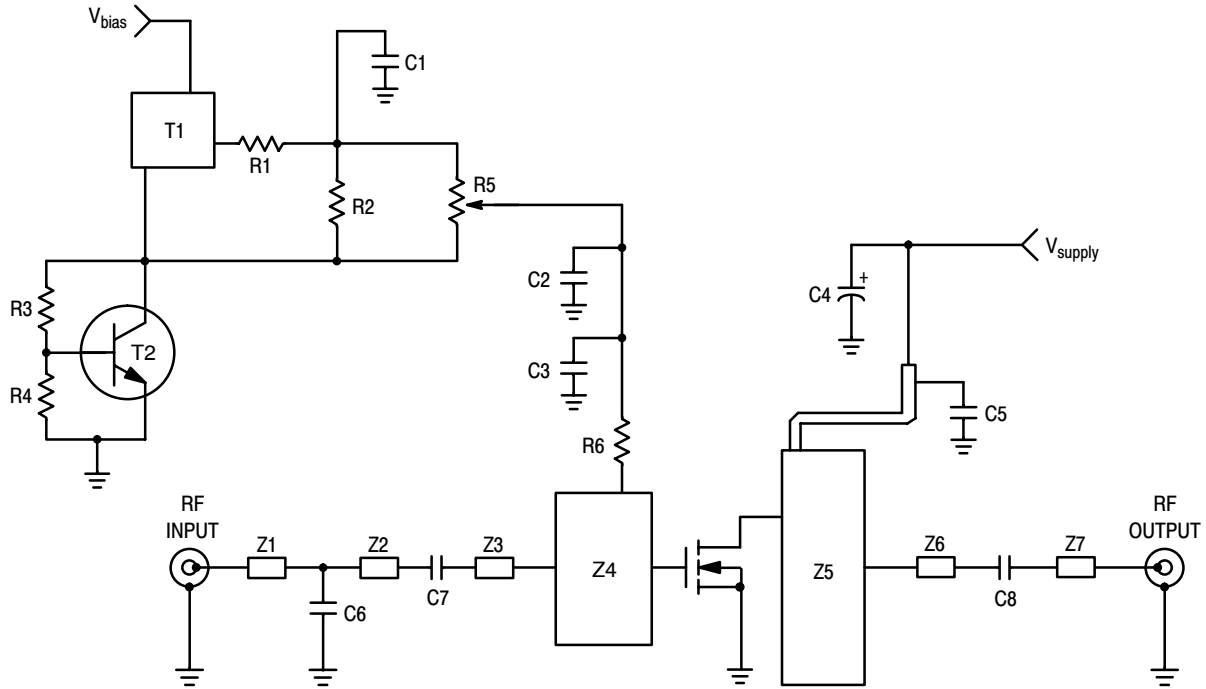


Figure 2. 1930 - 1990 MHz Test Fixture Component Layout



C1	1 $\mu$ F Chip Capacitor (0805)	T1	LP2951 Micro-8 Voltage Regulator
C2	100 nF Chip Capacitor (0805)	T2	BC847 SOT-23 NPN Transistor
C3, C5, C8	10 pF Chip Capacitors, ACCU-P (0805)	Z1	0.159" x 0.055" Microstrip
C4	10 $\mu$ F, 35 V Tantalum Electrolytic Capacitor	Z2	0.982" x 0.055" Microstrip
C6	1.8 pF Chip Capacitor, ACCU-P (0805)	Z3	0.087" x 0.055" Microstrip
C7	1 pF Chip Capacitor, ACCU-P (0805)	Z4	0.512" x 0.787" Microstrip
R1	10 $\Omega$ Chip Resistor (0805)	Z5	0.433" x 1.220" Microstrip
R2, R6	1 k $\Omega$ Chip Resistors (0805)	Z6	1.039" x 0.118" Microstrip
R3	1.2 k $\Omega$ Chip Resistor (0805)	Z7	0.268" x 0.055" Microstrip
R4	2.2 k $\Omega$ Chip Resistor (0805)		Substrate = 0.5 mm Teflon <sup>®</sup> Glass, $\epsilon_r = 2.55$
R5	5 k $\Omega$ , SMD Potentiometer		

Figure 3. 1800 - 2000 MHz Demo Board Schematic

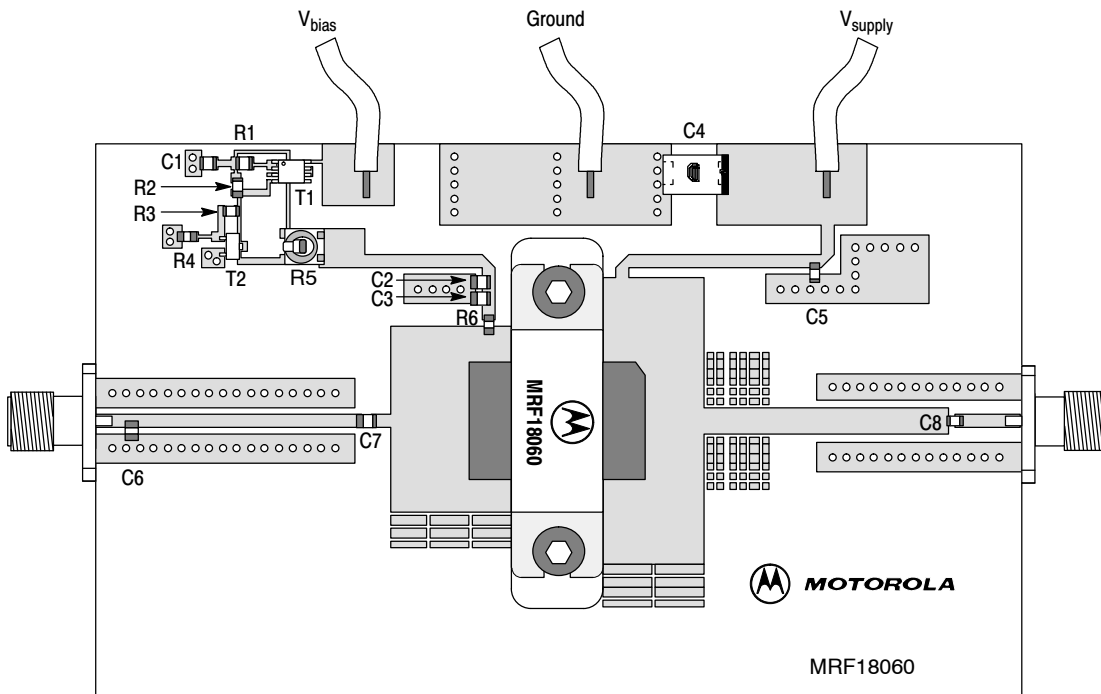
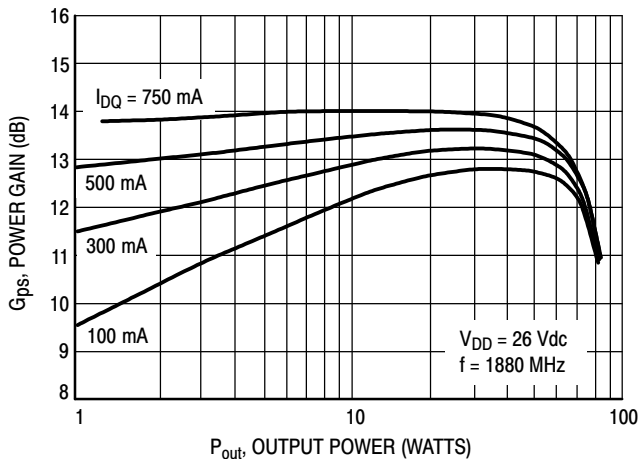
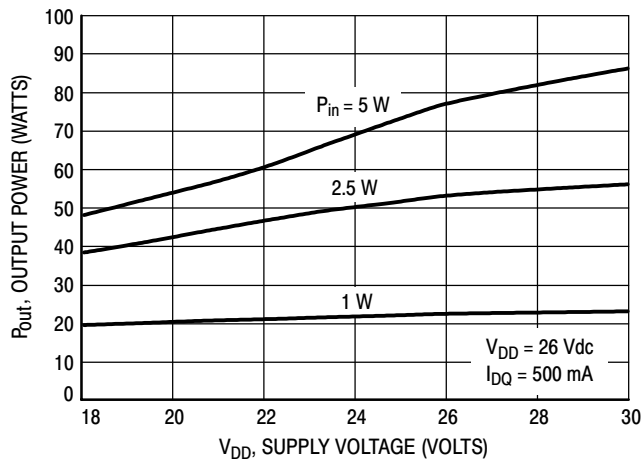


Figure 4. 1800 - 2000 MHz Demo Board Component Layout

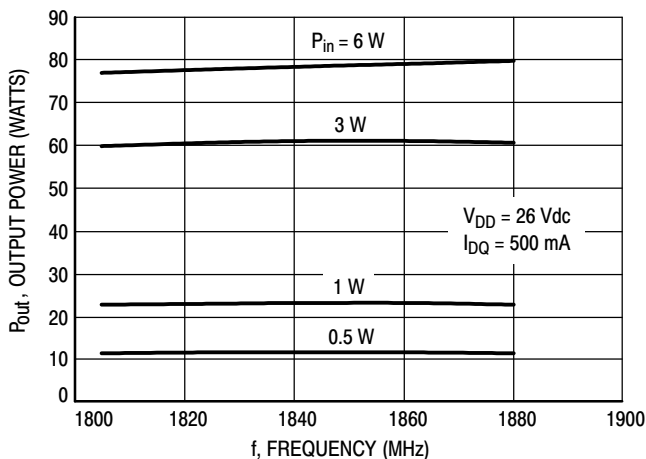
## TYPICAL CHARACTERISTICS (DATA TAKEN USING WIDEBAND DEMONSTRATION BOARD)



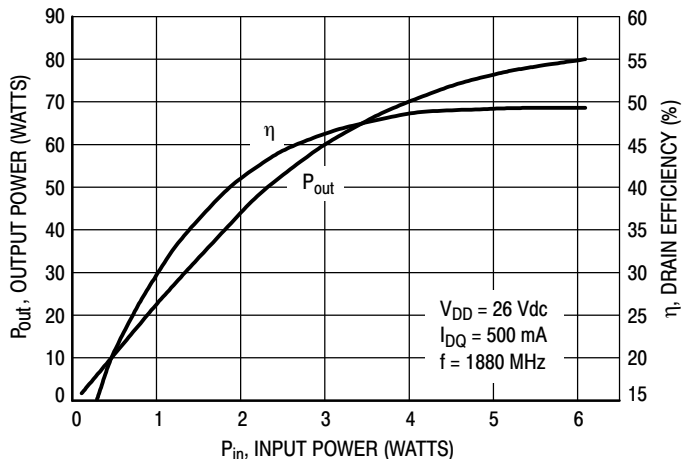
**Figure 5. Power Gain versus Output Power**



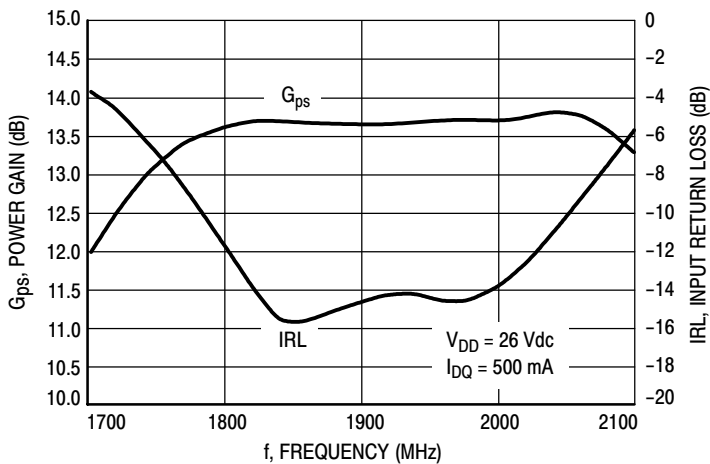
**Figure 6. Output Power versus Supply Voltage**



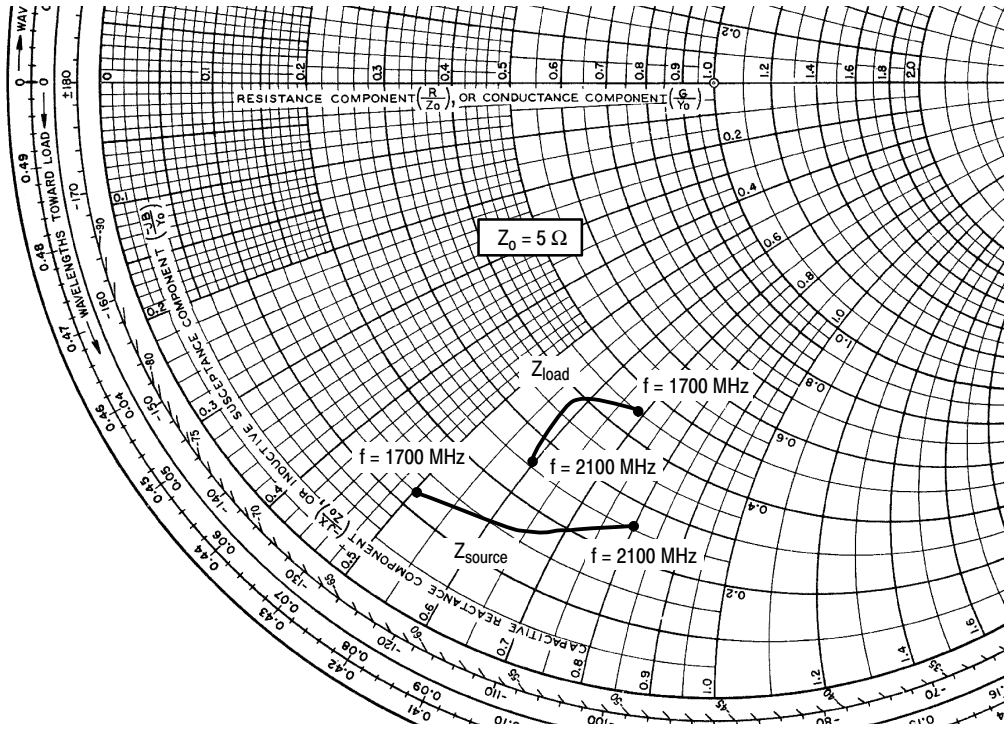
**Figure 7. Output Power versus Frequency**



**Figure 8. Output Power and Efficiency versus Input Power**



**Figure 9. Wideband Gain and IRL (at Small Signal)**



$V_{DD} = 26\text{ V}$ ,  $I_{DQ} = 500\text{ mA}$ ,  $P_{out} = 60\text{ W CW}$

f MHz	$Z_{source}$ $\Omega$	$Z_{load}$ $\Omega$
1700	$0.60 - j2.53$	$2.27 - j3.44$
1800	$0.80 - j3.20$	$2.05 - j3.05$
1900	$0.92 - j3.42$	$1.90 - j2.90$
2000	$1.07 - j3.59$	$1.64 - j2.88$
2100	$1.31 - j4.00$	$1.29 - j2.99$

$Z_{source}$  = Test circuit impedance as measured from gate to ground.

$Z_{load}$  = Test circuit impedance as measured from drain to ground.

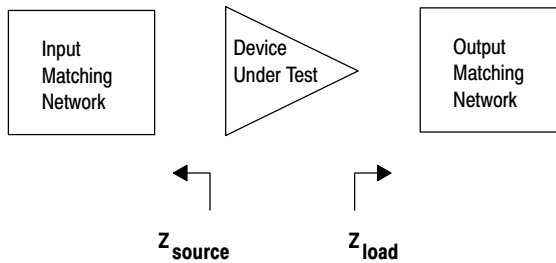
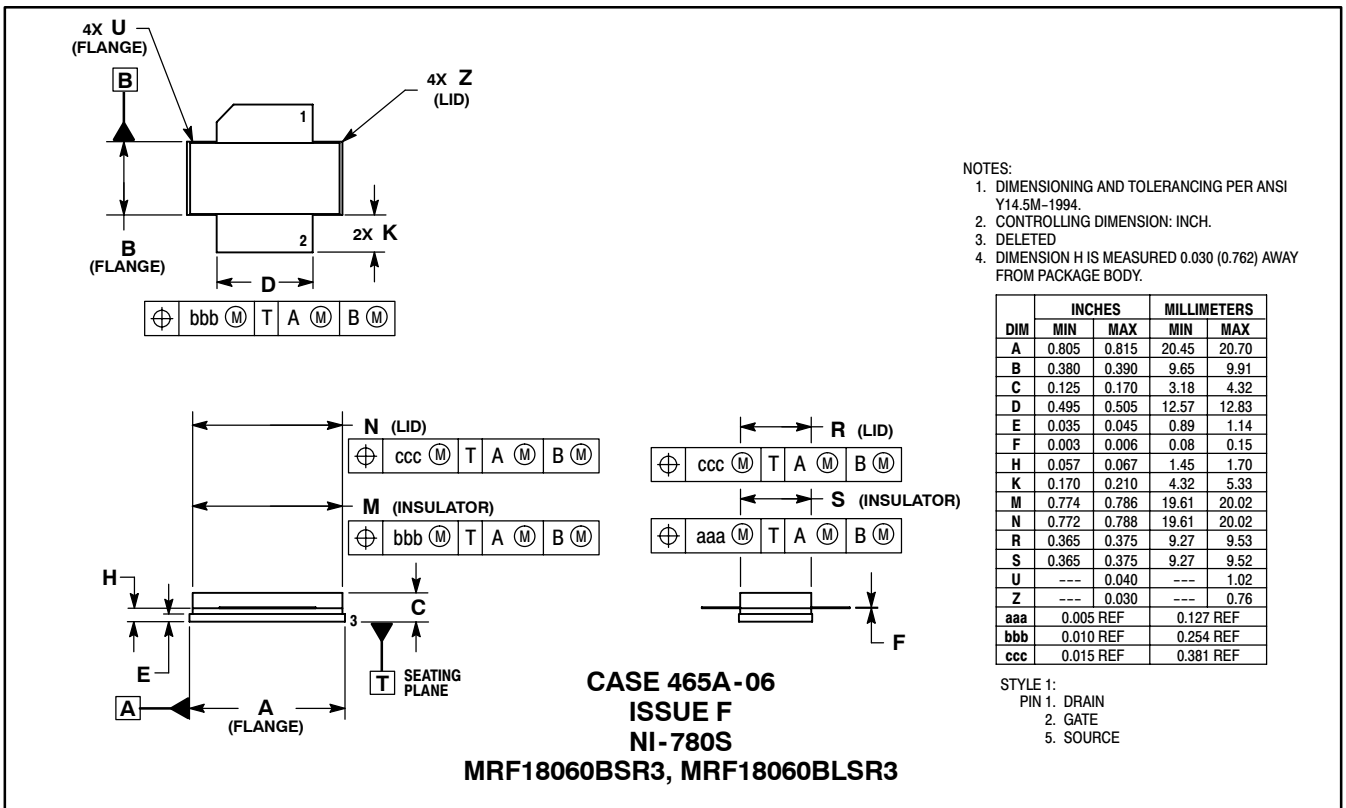
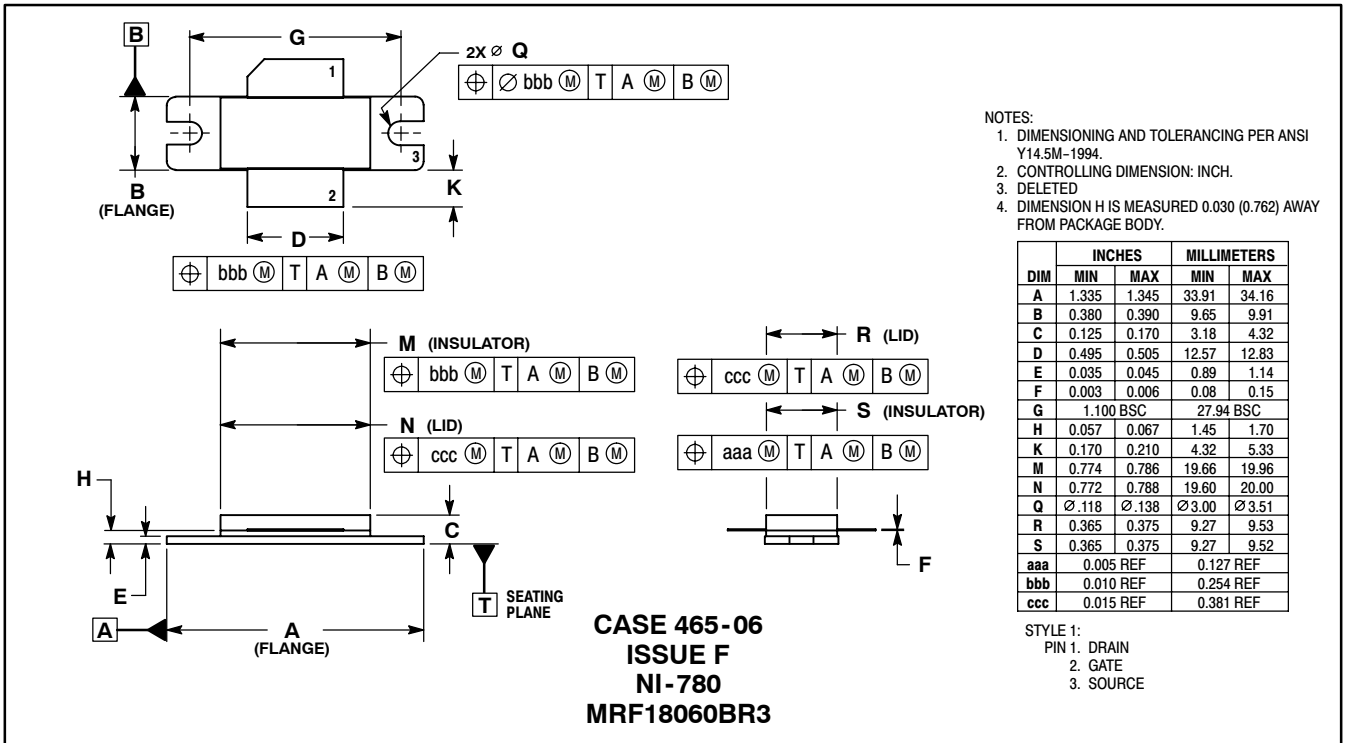


Figure 10. Series Equivalent Input and Output Impedance

# Freescale Semiconductor, Inc.

## PACKAGE DIMENSIONS

Freescale Semiconductor, Inc.



Information in this document is provided solely to enable system and software implementers to use Motorola products. There are no express or implied copyright licenses granted hereunder to design or fabricate any integrated circuits or integrated circuits based on the information in this document.

Motorola reserves the right to make changes without further notice to any products herein. Motorola makes no warranty, representation or guarantee regarding the suitability of its products for any particular purpose, nor does Motorola assume any liability arising out of the application or use of any product or circuit, and specifically disclaims any and all liability, including without limitation consequential or incidental damages. "Typical" parameters that may be provided in Motorola data sheets and/or specifications can and do vary in different applications and actual performance may vary over time. All operating parameters, including "Typicals", must be validated for each customer application by customer's technical experts. Motorola does not convey any license under its patent rights nor the rights of others. Motorola products are not designed, intended, or authorized for use as components in systems intended for surgical implant into the body, or other applications intended to support or sustain life, or for any other application in which the failure of the Motorola product could create a situation where personal injury or death may occur. Should Buyer purchase or use Motorola products for any such unintended or unauthorized application, Buyer shall indemnify and hold Motorola and its officers, employees, subsidiaries, affiliates, and distributors harmless against all claims, costs, damages, and expenses, and reasonable attorney fees arising out of, directly or indirectly, any claim of personal injury or death associated with such unintended or unauthorized use, even if such claim alleges that Motorola was negligent regarding the design or manufacture of the part.

MOTOROLA and the Stylized M Logo are registered in the US Patent and Trademark Office. All other product or service names are the property of their respective owners. Motorola, Inc. is an Equal Opportunity/Affirmative Action Employer.

© Motorola Inc. 2004

#### HOW TO REACH US:

**USA/EUROPE/LOCATIONS NOT LISTED:**  
Motorola Literature Distribution  
P.O. Box 5405, Denver, Colorado 80217  
1-800-521-6274 or 480-768-2130

**JAPAN:** Motorola Japan Ltd.; SPS, Technical Information Center,  
3-20-1, Minami-Azabu, Minato-ku, Tokyo 106-8573, Japan  
81-3-3440-3569

**ASIA/PACIFIC:** Motorola Semiconductors H.K. Ltd.; Silicon Harbour Centre,  
2 Dai King Street, Tai Po Industrial Estate, Tai Po, N.T., Hong Kong  
852-26668334

**HOME PAGE:** <http://motorola.com/semiconductors>



**MOTOROLA**

**For More Information On This Product,  
Go to: [www.freescale.com](http://www.freescale.com)**

**MRF18060B/D**