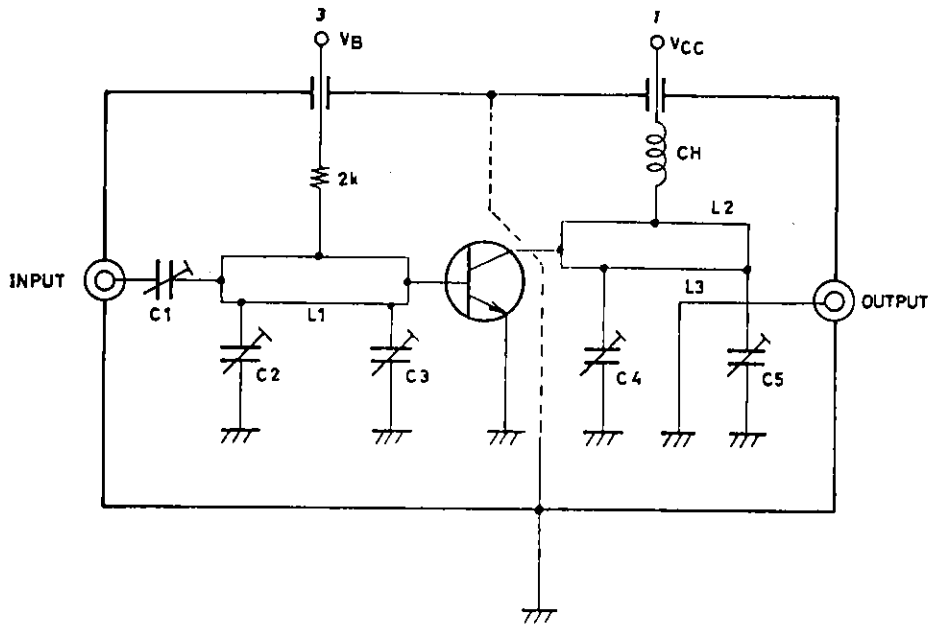


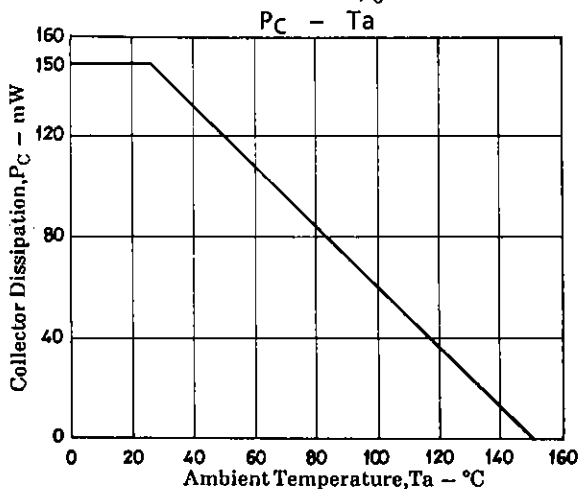
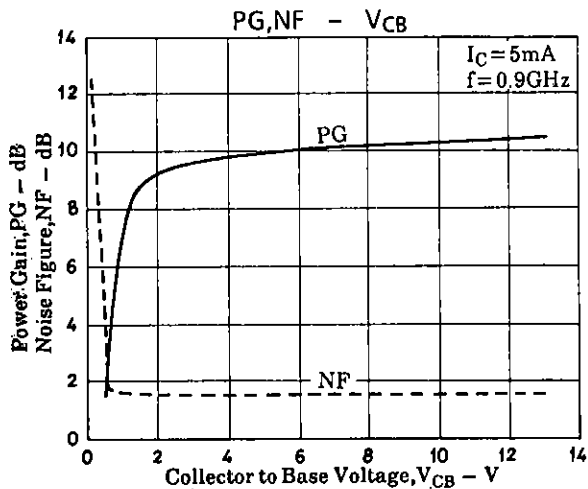
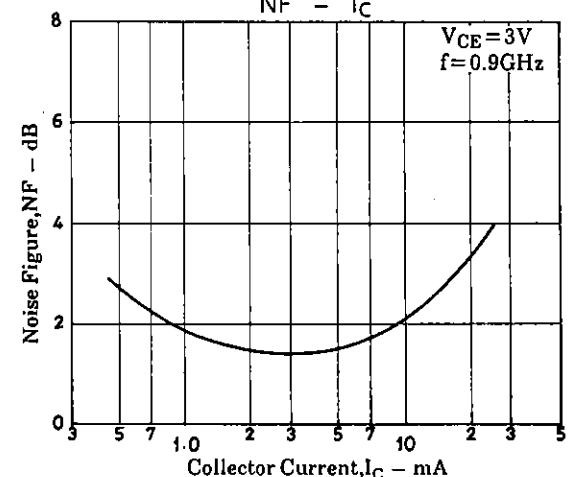
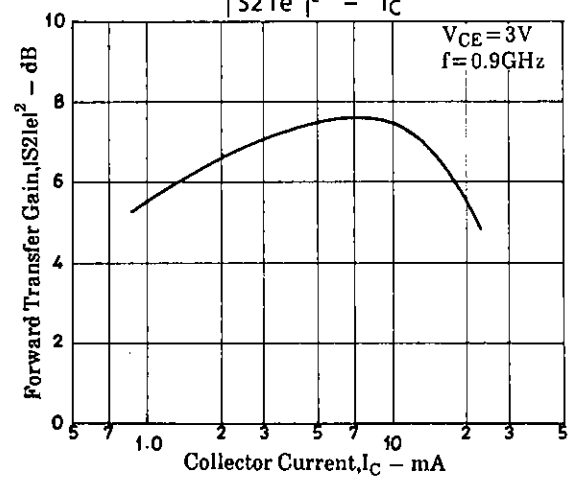
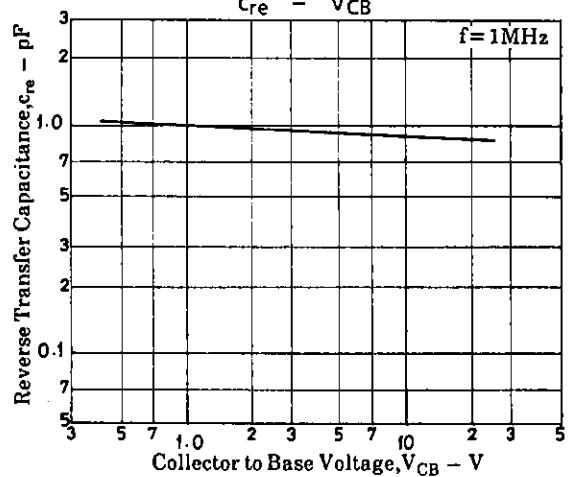
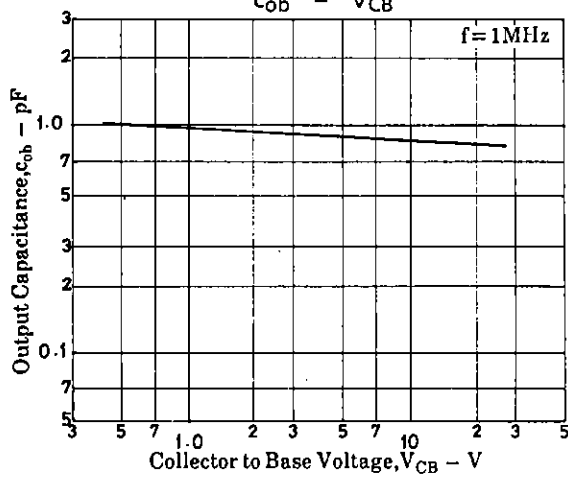
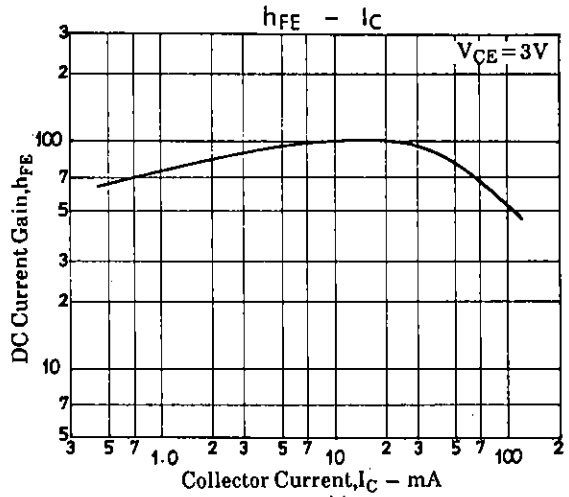
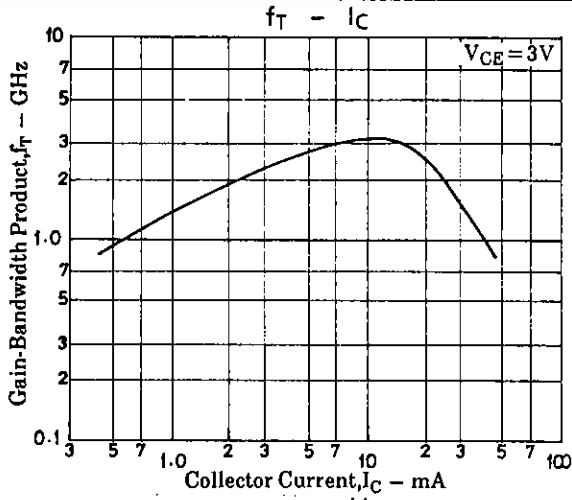
NF Test Circuit



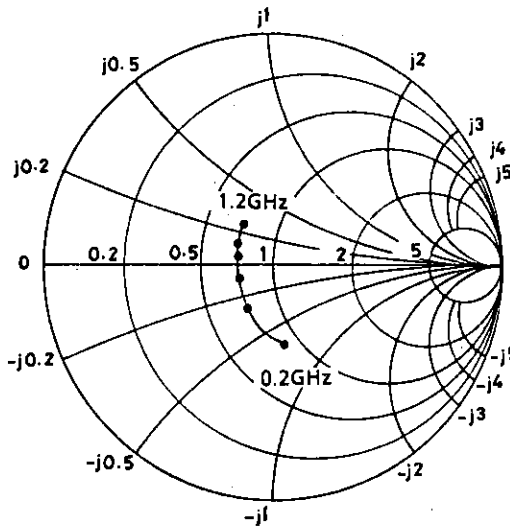
Unit (Resistance : Ω)

900MHz	
C1	~5 pF
C2	~10 pF
C3	~10 pF
C4	~10 pF
C5	~10 pF
L1	W ≐ 1.5 mm, l ≐ 2.5 mm strip line
L2	W ≐ 4 mm, l ≐ 2.5 mm strip line
L3	0.5 φ, l ≐ 40 mm
CH	2t + bead core

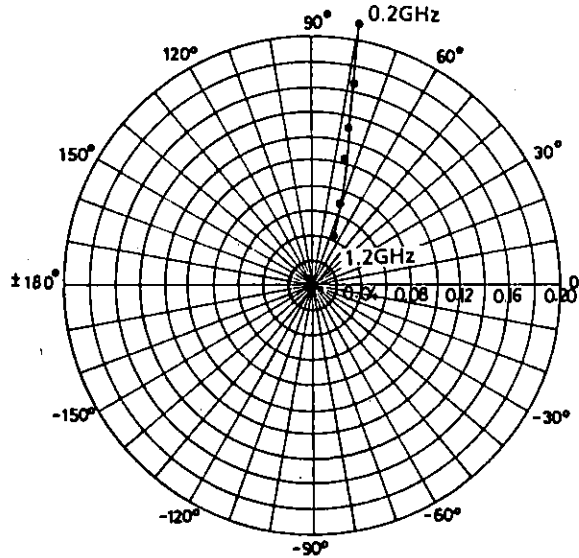
2SC4402



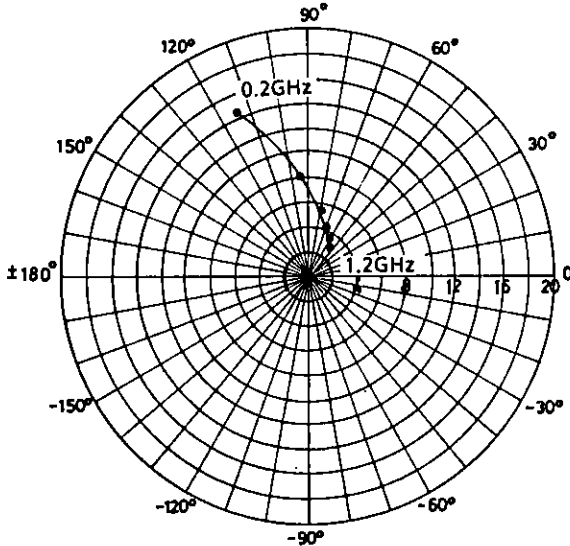
S11e: $V_{CE} = 3V$
 $I_C = 5mA$
 $f = 0.2GHz$ step



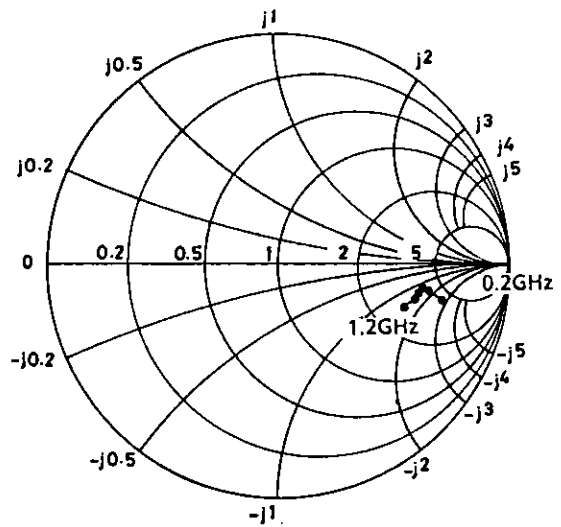
S12e: $V_{CE} = 3V$
 $I_C = 5mA$
 $f = 0.2GHz$ step



S21e: $V_{CE} = 3V$
 $I_C = 5mA$
 $f = 0.2GHz$ step



S22e: $V_{CE} = 3V$
 $I_C = 5mA$
 $f = 0.2GHz$ step



- No products described or contained herein are intended for use in surgical implants, life-support systems, aerospace equipment, nuclear power control systems, vehicles, disaster/crime-prevention equipment and the like, the failure of which may directly or indirectly cause injury, death or property loss.
- Anyone purchasing any products described or contained herein for an above-mentioned use shall:
 - ① Accept full responsibility and indemnify and defend SANYO ELECTRIC CO., LTD., its affiliates, subsidiaries and distributors and all their officers and employees, jointly and severally, against any and all claims and litigation and all damages, cost and expenses associated with such use;
 - ② Not impose any responsibility for any fault or negligence which may be cited in any such claim or litigation on SANYO ELECTRIC CO., LTD., its affiliates, subsidiaries and distributors or any of their officers and employees jointly or severally.
- Information (including circuit diagrams and circuit parameters) herein is for example only; it is not guaranteed for volume production. SANYO believes information herein is accurate and reliable, but no guarantees are made or implied regarding its use or any infringements of intellectual property rights or other rights of third parties.